

PC H 95 T



Sample image

Order symbol : PC H 95 T

Product nr : 8724015

UL Code : 8714015

UL Name : UL PC H 95 T

Description : Enclosure, PC

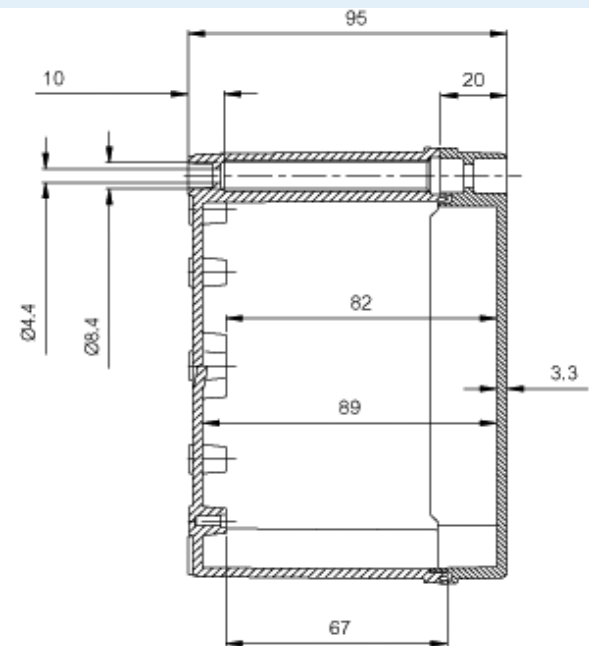
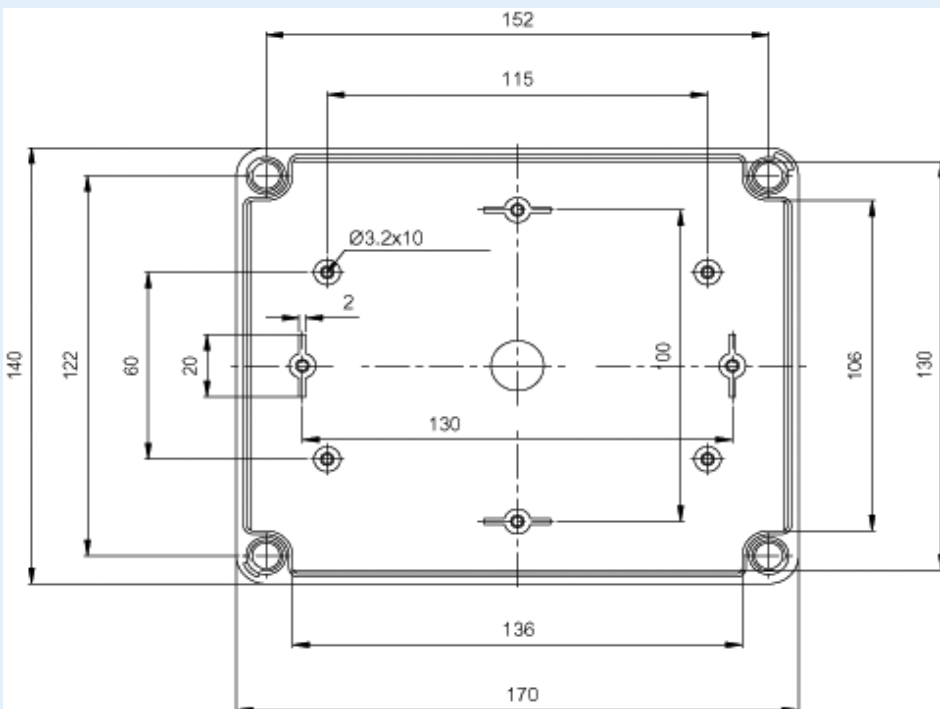
Remarks : Transparent cover

Including : Base with screws for mounting plate/DIN-rail. cover with PUR gasket and polyamide cover screws.

EAN : 6418074002266

El. number :

- Finland : 3423517
- Denmark : 8212001666
- Sweden : 2536856



Dimensions :	Height	Width	Depth
mm :	170	140	95
inch :	6.69	5.51	3.74

Materials :

Accessories :

- CHM-3 DIN-35 Mounting rail, for enclosures: (110 x 35 x 1)
- FP 22046 Wall fastening lug (4 pcs)
- DH-3 DIN-35 Mounting rail, for enclosures: (140 x 35 x 1)

Material : Polycarbonate
Base colour : RAL 7035 -light grey
Cover colour :
Gasket material : Polyurethane

H-MP Mounting plate, for enclosures:
(125 x 94 x 1)

Temperatures :

Temperature °C (short term) : -40 ... 120
Temperature °C (continuous) :
Temperature °F (short term) : -40 ... 250
Temperature °F (continuous) : -40 ... 175

Rating :

Ingress protection (EN 60529): IP66; IP67;
Impact Resistance (EN 62262): IK08;
Electrical insulation : Totally insulated
Halogen free (DIN/VDE 0472, Part 815): 1
UV resistance : UL 508
Flammability Rating : UL 746C 5"
Glow Wire Test (IEC 695-2-1) °C : 960 °C
NEMA Class

Certificates :

SGSFIMKO_PICC_pc