

BATAVIA

# MAXXPACK 18 V

## Cordless drain cleaning auger

Akku-Rohrreinigungsspirale

Déboucheur de canalisation sans fil

Accu afvoerontstopper

Sturatubi a tamburo a batteria

Desatascador de batería

Desentupidor sem fio

Przepychacz do rur akumulatorowa



Operating instructions

Originalbetriebsanleitung

Mode d'emploi

Gebruiksaanwijzing

Istruzioni di Funzionamento

Manual de usuario

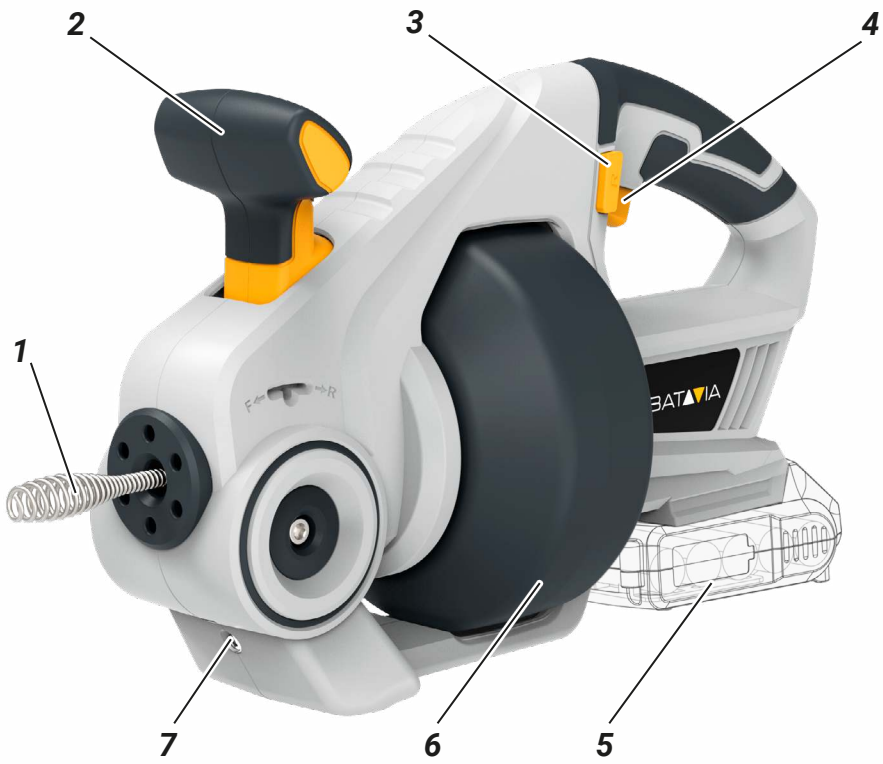
Instruções de funcionamento

Instrukcja

Model: BT-CDA001

Item-No.: 7063455

[www.bataviapower.com](http://www.bataviapower.com)



---

## Overview

1. Flexible shaft
2. Forward/neutral/reverse lever
3. Rotating direction switch
4. On/off trigger switch
5. Battery (not included in delivery)
6. Storage drum for the flexible shaft
7. Work light

## Übersicht

1. Flexible Welle
2. Vorwärts-/Neutral/ Rückwärtshebel
3. Drehrichtungsumschalter
4. EIN/AUS Abzugsschalter
5. Akku (nicht im Lieferumfang)
6. Aufbewahrungstrommel für die flexible Welle
7. Arbeitsleuchte

## Aperçu

1. Arbre flexible
2. Levier marche avant/neutre/marche arrière
3. Interrupteur régissant le sens de rotation
4. Interrupteur marche/arrêt
5. Batterie (non incluse dans la livraison)
6. Tambour de stockage pour l'arbre flexible
7. Éclairage de travail

## Overzicht

1. Flexibele as
2. Vooruit/ neutraal / achteruit hendel
3. Draairichtingschakelaar
4. Aan-/uit schakelaar
5. Accu (niet meegeleverd)
6. Opslagtrommel voor de flexibele as
7. Werklamp

## Panoramica

1. Albero flessibile
2. Leva avanti/neutra/indietro
3. Interruttore di selezione della direzione di rotazione
4. Grilletto di accensione/spengimento
5. Batteria (non inclusa)
6. Cilindro di accumulazione dell'albero flessibile
7. Luce da lavoro

## Resumen

1. Espiral flexible
2. Palanca de avance/ralentí/marcha atrás
3. Interruptor de cambio de la dirección de giro
4. Interruptor de gatillo de encendido/apagado
5. Batería (no incluida en el paquete)
6. Tambor de almacenamiento de la espiral flexible
7. Lámpara de trabajo

## Visão geral

1. Eixo flexível
2. Alavanca de marcha em frente/neutro/atrás
3. Interruptor de direção de rotação
4. Interruptor de gatilho de ligar/desligar
5. Bateria (não incluída na embalagem)
6. Tambor de armazenamento para o eixo flexível
7. Luz de trabalho

## Przegląd

1. Spirala elastyczna
2. Dźwignia biegów do przodu/neutralny/wstecz
3. Przełącznik kierunku obrotów
4. Przełącznik wyzwalający
5. Akumulator (nie jest dostarczany z urządzeniem)
6. Bęben do przechowywania spirali elastycznej
7. Światło robocze

---

## Contents

1. Explanation of the symbols . . . . .	6
2. Additional safety instructions for cordless drain augers . . . . .	6
3. Before first use . . . . .	7
4. Contents of packing . . . . .	7
5. Intended use . . . . .	7
6. Setting the rotation direction . . . . .	7
7. Further notes on unblocking a drain .	7
8. Work light . . . . .	8
9. Cleaning and maintenance . . . . .	8
10. Technical data . . . . .	8
11. Disposal . . . . .	8
12. EC-Declaration of conformity . . . . .	9
13. UK Declaration of Conformity . . . . .	9

## Inhaltsverzeichnis

1. Erläuterung der Symbole . . . . .	10
2. Zusätzliche Sicherheitshinweise für Akku Abflussspirale . . . . .	10
3. Vor der ersten Benutzung . . . . .	11
4. Verpackungsinhalt . . . . .	11
5. Bestimmungsgemäßer Gebrauch . . . . .	11
6. Welle und Drehrichtungswechsel . . . . .	11
7. Weitere Hinweise Ausräumen eines Rohres . . . . .	12
8. Arbeitsleuchte . . . . .	12
9. Reinigung und Wartung . . . . .	12
10. Technische Daten . . . . .	13
11. Entsorgung . . . . .	13
12. EG-Konformitätserklärung . . . . .	13

## Table des matières

1. Explication des symboles . . . . .	14
2. Instructions de sécurité supplémentaire pour dégorgeoir sans fil . . . . .	14
3. Avant la première utilisation . . . . .	15
4. Contenus de l'emballage . . . . .	15
5. Utilisation normale . . . . .	15
6. Réglage du sens de rotation . . . . .	15
7. Remarques supplémentaires sur le déblocage d'une canalisation . . . . .	16
8. Éclairage de travail . . . . .	16
9. Nettoyage et maintenance . . . . .	16
10. Fiche technique . . . . .	16
11. Élimination et recyclage . . . . .	17
12. CE-Déclaration de conformité . . . . .	17

## Inhoudsopgave

1. Uitleg van de symbolen . . . . .	18
2. Aanvullende veiligheidsvoorschriften voor de accu afvoerontstopper . . . . .	18
3. Voor het eerste gebruik . . . . .	19
4. Inhoud van de verpakking . . . . .	19
5. Beoogd gebruik . . . . .	19
6. Instellen van draairichting . . . . .	19
7. Verdere opmerkingen voor het deblokken van een afvoer . . . . .	20
8. Werkklamp . . . . .	20
9. Reiniging en onderhoud . . . . .	20
10. Technische gegevens: . . . . .	20
11. Afvalverwerking en hergebruik . . . . .	21
12. EG-Conformiteitsverklaring . . . . .	21

---

## Contenuto

1. Spiegazione dei simboli . . . . .	22
2. Ulteriori istruzioni di sicurezza per l'uso della sturatubi senza fili . . . . .	22
3. Operazioni preliminari al primo uso del prodotto . . . . .	23
4. Contenuto della confezione . . . . .	23
5. Destinazione d'uso . . . . .	23
6. Impostazione della direzione di rotazione . . . . .	23
7. Ulteriori note per la pulizia degli scarichi . . . . .	24
8. Luce da lavoro . . . . .	24
9. Pulizia e manutenzione . . . . .	24
10. Dati tecnici . . . . .	25
11. Smaltimento . . . . .	25
12. Dichiarazione di conformità CE . . . . .	25

## Índice

1. Explicación de los símbolos . . . . .	26
2. Instrucciones de seguridad adicionales en materia de espirales inalámbricas para desatascar tuberías . . . . .	26
3. Antes de usar por primera vez . . . . .	27
4. Contenido del paquete . . . . .	27
5. Uso previsto . . . . .	27
6. Ajuste del sentido de rotación . . . . .	27
7. Instrucciones adicionales para desatascar un desagüe . . . . .	28
8. Lámpara de trabajo . . . . .	28
9. Limpieza y mantenimiento . . . . .	28
10. Datos técnicos . . . . .	29
11. Eliminación . . . . .	29
12. Declaración CE de conformidad . . . . .	29

## Índice

1. Explicação dos símbolos . . . . .	30
2. Instruções de segurança adicionais para brocas de drenagem sem fios . . . . .	30
3. Antes da primeira utilização . . . . .	31
4. Conteúdo da embalagem . . . . .	31
5. Utilização prevista . . . . .	31
6. Definir a direção de rotação . . . . .	31
7. Notas adicionais sobre o desentupimento de um esgoto . . . . .	32
8. Luz de trabalho . . . . .	32
9. Limpeza e manutenção . . . . .	32
10. Dados técnicos . . . . .	33
11. Eliminação . . . . .	33
12. Declaração de conformidade CE . . . . .	33

## Spis treści

1. Objasnienie symboli . . . . .	34
2. Dodatkowe środki ostrożności dotyczące bezprzewodowych spiral do udrażniania rur . . . . .	34
3. Przed pierwszym użyciem . . . . .	35
4. Zawartość opakowania . . . . .	35
5. Przeznaczenie . . . . .	35
6. Ustawianie kierunku obrotów . . . . .	35
7. Dalsze uwagi dotyczące odblokowania odpływu . . . . .	36
8. Światło robocze . . . . .	36
9. Czyszczenie i konserwacja . . . . .	36
10. Dane techniczne . . . . .	37
11. Utylizacja . . . . .	37
12. Deklaracja zgodności z wymogami UE . . . . .	37

## Dear customer

Please familiarize yourself with the proper usage of the device by reading and following each chapter of this manual, in the order presented. Keep these operating instructions for further reference.

### Please read the enclosed "General safety instructions for power tools" and all additional safety instructions in this operating instructions!

This manual contains important information on operating and handling the device. Keep these operating instructions for further reference. Please pass it on along with the unit if it is handed over to a third party.

### Battery and charger not included!

The battery available separately under art. No: 7062517 (2Ah) or 7062518 (4Ah).

The charger available separately under art. No: 7062519.

These items are available online and in participating stores.

## 1. Explanation of the symbols

The following symbols are used in the user manual or on the product:



**Warning!** To reduce the risk of injury, the user must read the instruction manual.



Denotes risk of personal injury, loss of life or damage to the tool in case of non-observance of the instructions in this manual.



Wear safety glasses. When working with electric power tools, sparks, splinters, chips and dust particles may be generated and these can cause loss of sight.



Variable speed control.



CE stands for "Conformité Européenne", which means "In accordance with EU Regulations". With the CE marking, the manufacturer confirms that this Electric tool complies with the applicable European directives.



Do not dispose of electric power tools with domestic refuse.

## 2. Additional safety instructions for cordless drain augers

- 2.1 Wear protective goggles and a face mask to protect yourself from the possibly poisonous and infectious contents of the drain.
- 2.2 Wear tight-fitting, solid gloves made from coated fabric which can not get caught in the flexible shaft. Severe injury may result from hands or fingers being drawn into the flexible shaft. If necessary wear protective gloves made from rubber or latex under your gloves.
- 2.3 Please keep in mind that chemical drain cleaners are caustic, wear protective equipment if such agents were used before the drain auger!
- 2.4 Do not eat, drink or smoke while operating the drain auger. After work clean your hands and other body parts which have come in contact with the contents of the drain or other contaminations with soap and warm water before eating, drinking or smoking. This way you avoid taking on toxic or infectious material.
- 2.5 Severe injury to fingers, hands, arms or other body parts may result from clothes or gloves being drawn into rotating parts. Therefore wear tight-fitting clothing and if necessary a hair net. Do not wear jewellery or other items which may get caught in the flexible shaft.
- 2.6 Do not use soft gloves or rags to guide the rotating flexible shaft. Severe injury may result from them being twisted into the flexible shaft. Grasp the flexible shaft only with suitable, tight-fitting gloves. Unsuitable gloves may get caught in the flexible shaft and cause severe injury.
- 2.7 Hold the machine as close as possible to the entry of the drain or pipe you are cleaning to avoid that the flexible shaft may twist or form loops. An excessively long free piece of the flexible shaft may twist and snap and cause severe injury.

Hold the machine as close as possible to the drain or pipe you are cleaning. If the machine can not be held close to the entry use a guide hose. If the distance is too great that may cause the flexible shaft to twist and snap.

- 2.8 In case the flexible shaft is blocked immediately stop the machine. Otherwise the flexible shaft may be overstressed and get out of control, snap or twist. That may cause severe injury. Always use the reverse gear to free the flexible shaft.
- 2.9 Machine and flexible shaft must be controlled by the same person. In case the flexible shaft is blocked the operator must be able to immediately stop the machine, so the flexible shaft can not kink, twist or snap.
- 2.10 Do not operate the machine in reverse gear. The reverse gear is only intended to free the flexible shaft in case or it being blocked.
- 2.11 This machine is intended only for cleaning drains and pipes. All other uses are forbidden.
- 2.12 Periodically check all nuts, bolts and other fixings and tighten where necessary.

### 3. Before first use

Remove the machine and the accessories from the packaging. Check the machine for transport damage and do not use the machine in case of damages. Keep the packing materials away from children, risk of suffocation!

### 4. Contents of packing

- 1× Cordless drain cleaning auger
- 1× Operating instructions

### 5. Intended use

This portable, battery-powered drain auger is intended for removing stubborn blockages in drains and pipes.

## 6. Setting the rotation direction

The machine is equipped with two operating elements, a forward/neutral/reverse lever and a rotating direction switch.

To unblock a drain use the machine in clockwise rotation. To do so set the rotating direction switch **(3)** so that the end left end marked with R is proud of the machine. When the machine is started with the trigger switch **(4)** the shaft **(1)** rotates, seen from your side, clockwise. When you push the forward/neutral/reverse lever **(2)** forward the flexible shaft is driven forward out of the machine. In neutral position of the lever the shaft rotates but is not fed in any direction and when the lever is pulled back the shaft is retracted into the machine.

The reverse (counter clockwise) operation of the machine is used for freeing up a blocked flexible shaft. To do so, set the rotating direction switch **(3)** so that the right end marked with L is proud of the machine. When the machine is started with the trigger switch **(4)** the shaft rotates, seen from your side, counter clockwise. When you push the forward/neutral/reverse lever **(2)** forward the flexible shaft is retracted back into the machine.

In neutral position of the lever the shaft rotates but is not fed in any direction and when the lever is pulled back the shaft is driven forward out of the machine.

## 7. Further notes on unblocking a drain

Remove the drain trap, if present. Also remove further sliding pipework of the drain if present.

Do not wear loose-fitting clothing or jewelry which may get caught in the flexible shaft. If you have long hair wear a hair net.

Do not use loose work gloves which may get caught in the shaft. Protect your hands with tight-fitting coated fabric gloves and if necessary, wear latex or rubber gloves under these.

Always bring the machine as close as possible to the entry of the pipe. If this is not possible run the free part of the shaft

through a suitable piece of hose for handling.

Please keep in mind that the content of a drain is infectious and may contain caustic drain cleaners. Wearing safety glasses and a mouth or face protection is mandatory!

**WARNING:** If the device does not perform as outlined in this manual, turn to the Bata-via customer service or to a competent professional.

## 8. Work light

The work light (7) illuminates the working area during operation.

When the trigger switch (4) is pressed the work light (7) turn son. When the trigger switch is released the work light turns off after approximately five seconds.

## 9. Cleaning and maintenance

**WARNING:** Remove the battery before carrying out any maintenance/cleaning of the tool.

### 9.1 Cleaning

- Clean the flexible shaft with warm water and some detergent and allow it to fully dry in extended condition. After drying lightly oil the flexible shaft.
- Use only a moist cloth to clean the unit. Do not use aggressive chemicals which may dissolve plastic parts, or abrasives. Always keep the ventilation slots clean and free from obstructions.
- Keep safety devices, ventilation openings and the motor housing as free as possible from dirt and dust. Rub the electric power tool with a clean cloth or blow over it with low pressure compressed air.
- We recommend that you clean your electric power tool immediately after each use.
- Clean the electric power tool regularly with a damp cloth and somewhat soft soap.

### 9.2 Maintenance

There are no inner parts of the tool which need maintenance.

## 10. Technical data

No load speed . . . . .	0 – 560 min <sup>-1</sup>
Dredging capacity . . . . .	∅ 19 – 50 mm
Length of flexible shaft . . . . .	7 m
Working length. . . . .	6.8 m
Diameter of shaft / shaft head. ∅ 7 / 12 mm	
Product weight without battery . . . . .	3.46 kg
Product dimensions. . . . .	40 × 17 × 20 cm
Sound pressure level L <sub>pA</sub> . . . . .	69.8 dB(A)
Uncertainty K <sub>pA</sub> . . . . .	3 dB
Sound power level L <sub>WA</sub> . . . . .	80.8 dB(A)
Uncertainty K <sub>WA</sub> . . . . .	3 dB
Hand arm vibration . . . . .	2.3 m/s <sup>2</sup>
Uncertainty K. . . . .	1.5 m/s <sup>2</sup>
IP class . . . . .	IP43

## 11. Disposal



*Do not dispose of electric power tools with domestic refuse.*

■ The electric power tool is shipped in packaging to reduce transport damage. This packaging is a raw material and as such can either be reused or can be fed back into the raw material cycle. The electric power tool and its accessories are made from various materials such as metals and plastics. Take defective components to a special refuse collection point. Ask about these at your specialist shop or local council. The product and the user manual may be subject to changes. Technical data may be changed without prior notice.

### 11.1 Batteries

Think of the environment when disposing of batteries. Contact your local authorities to find out where your nearest disposal area is.

Do not dispose of batteries with domestic refuse.

Do not dispose of by burning, risk of explosion.



## 12. EC-Declaration of conformity

We, the **Batavia B.V., Weth. Wassebaliestraat 6d, NL-7951 SN Staphorst**, declare by our own responsibility that the product **Cordless drain cleaning auger, Model BT-CDA001, Item-No 7063455** is according to the basic requirements, which are defined in the European Directives Electromagnetic Compatibility **2014/30/EU (EMC)**, **2006/42/EC (Machinery)**, **2011/65/EU (RoHS)** and their amendments. For the evaluation of conformity, the following harmonized standards were consulted:

**EN 60745-1:2009+A11:10;**  
**EN 60745-2-21:2009+A1:10;**  
**EK 9-BE-77(V3):2015;**  
**EK 9-BE-88:2014;**  
**EK 9-BE-89:2014;**  
**EK 9-BE-91:2015;**  
**EN 55014-1:2017;**  
**EN 55014-2:2015;**  
**AfPS GS 2019:01 PAK**

Staphorst, 6 July 2022



Meino Seinen, QA Representative  
Batavia B.V., Weth. Wassebaliestraat 6d,  
7951 SN Staphorst, Netherlands

## 13. UK Declaration of Conformity

We, the **Batavia B.V., Weth. Wassebaliestraat 6d, NL-7951 SN Staphorst**, Netherlands declare by our own responsibility that the product **Cordless drain cleaning auger, Model BT-CDA001, Item-No 7063455** is according to the basic requirements, which are defined in the **UK Regulations Supply of Machinery (Safety) Regulations 2008, Electromagnetic Compatibility Regulations 2016, Restriction of the Use of Certain Hazardous Substances in Electrical and Electronic Equipment Regulations 2012 and their amendments.**

Staphorst, 6 July 2022



Meino Seinen, QA Representative  
Batavia B.V., Weth. Wassebaliestraat 6d,  
7951 SN Staphorst, Netherlands

The product and the user manual may be subject to changes. Technical data may be changed without prior notice.

The product and the user manual may be subject to changes. Technical data may be changed without prior notice.

## Sehr geehrte Damen und Herren

Bitte machen Sie sich in der Reihenfolge der Kapitel mit dem Gerät vertraut und bewahren Sie diese Bedienungsanleitung für spätere Zwecke gut auf.

### Lesen Sie bitte die beigefügten **“Allgemeine Sicherheitshinweise für Elektrowerkzeuge”** und alle weiteren **Sicherheitshinweise in dieser Betriebsanleitung!**

Diese Bedienungsanleitung enthält wichtige Hinweise zur Inbetriebnahme und Handhabung. Legen Sie die Anleitung dem Produkt bei, wenn Sie es an Dritte weitergeben.

### **Akku und Ladegerät sind nicht im Lieferumfang enthalten!**

Der Akku ist separat erhältlich unter der Artikel-Nr.: 7062517 (2Ah) oder 7062518 (4Ah).

Das Ladegerät ist separat erhältlich unter der Artikel-Nr.: 7062519.

Diese Produkte sind online und in teilnehmenden Geschäften verfügbar.

## 1. Erläuterung der Symbole

Folgende Symbole werden im Benutzerhandbuch oder auf dem Produkt verwendet:



**WARNUNG - Zur Verringerung des Verletzungsrisikos Bedienungsanleitung lesen.**



**Allgemeines Warnzeichen – Seien Sie aufmerksam und beachten Sie allgemeine Gefahren.**



**Tragen Sie eine Schutzbrille. Während der Arbeit entstehende Funken oder aus dem Elektrowerkzeug heraustretende Splitter, Späne und Stäube können Sichtverlust bewirken.**



**Die Drehzahl der Maschine kann elektronisch eingestellt werden.**



**CE steht für „Conformité Européenne“, dies bedeutet, Übereinstimmung mit EU Richtlinien“. Mit der CE Kennzeichnung bestätigt der Hersteller, dass dieses Elektrowerkzeug den geltenden**

**europäischen Richtlinien entspricht.**



**Nicht in den Hausmüll entsorgen!**

## 2. Zusätzliche Sicherheitshinweise für Akku Abflussspirale

- 2.1 Tragen Sie eine Schutzbrille und einen Gesichtsschutz um sich vor dem eventuell giftigen und infektiösen Inhalt des Abflusses zu schützen.
- 2.2 Tragen Sie enganliegende, feste Handschuhe aus beschichtetem Gewebe, die sich nicht in der Spirale verfangen können. Es kann zu schweren Verletzungen kommen, wenn Hände oder Finger in die Spirale gezogen werden. Tragen Sie nötigenfalls Schutzhandschuhe aus Gummi oder Latex unter den Schutzhandschuhen.
- 2.3 Beachten Sie, dass Chemikalien zur Abflussreinigung ätzend sind, tragen Sie Schutzkleidung falls solche Mittel vor dem Einsatz der Reinigungsspirale verwendet wurden!
- 2.4 Essen, Trinken und Rauchen Sie nicht, während Sie den Abflussreiniger verwenden. Reinigen Sie Ihre Hände und andere Körperteile, die mit dem Inhalt des Abflusses oder anderen Verschmutzungen in Berührung gekommen sind, nach der Arbeit mit Seife und warmem Wasser, bevor Sie Essen, Trinken oder Rauchen. Dadurch vermeiden Sie es, toxische oder infektiöse Materialien aufzunehmen.
- 2.5 Es kann zu Verletzungen von Fingern, Händen, Armen oder anderen Körperteilen kommen, wenn Kleidung oder Handschuhe in die rotierenden Teile gezogen werden. Tragen Sie daher nur enganliegende Kleidung und gegebenenfalls ein Haarnetz. Tragen Sie keinen Schmuck oder andere Dinge, die sich in der Spirale verfangen können.
- 2.6 Verwenden Sie keine weichen Handschuhe oder Lappen, um die rotierende flexible Welle zu halten, da dies zu schweren Verletzungen führen kann, wenn Sie sich in der flexiblen Welle verdrehen. Greifen Sie die Welle nur mit

geeigneten, fest anliegenden Handschuhen. Ungeeignete Handschuhe können sich in der Welle verfangen und zu schweren Verletzungen führen.

- 2.7 Halten Sie die Maschine immer so nahe wie möglich am Zugang zum Rohreinlass, um zu verhindern, dass sich die Spirale verbiegt und Schlaufen bildet. Ein zu langes Stück freie Spirale kann sich verwickeln und Abbrechen und schwere Verletzungen verursachen. Halten Sie das Gerät so nah wie möglich am Rohr. Wenn sich das Werkzeug schwer an das Rohr annähern lässt, verwenden Sie einen Führungsschlauch. Wenn der Abstand zu lang ist, kann dies zum Aufwickeln oder Abbrechen der biegsamen Welle führen.
- 2.8 Stoppen Sie die Maschine augenblicklich, falls die Spirale blockiert. Anderenfalls kann die Spirale überlastet werden und außer Kontrolle geraten, abbrechen oder abknicken. Das kann zu schweren Verletzungen führen. Verwenden Sie stets den Rückwärtsgang, um die Spirale zu befreien.
- 2.9 Maschine und Spirale müssen immer von derselben Person geführt werden. Falls die Spirale blockiert muss der Bediener sofort in der Lage sein, die Maschine zu stoppen um zu verhindern, dass die Spirale abknickt, sich verdreht oder abbricht.
- 2.10 Verwenden Sie die Maschine nicht im Rückwärtsgang. Der Rückwärtsgang dient ausschließlich zum Befreien der Spirale im Falle des Blockierens.
- 2.11 Diese Maschine ist ausschließlich zum Reinigen von Abflüssen und Rohren gedacht. Andere Verwendungen sind nicht zulässig.
- 2.12 Überprüfen Sie in regelmäßigen Abständen sämtliche Schrauben, Muttern und anderen Befestigungselemente auf festen Sitz und ziehen Sie sie bei Bedarf an.

### 3. Vor der ersten Benutzung

Nehmen Sie die Maschine und das Zubehör aus der Verpackung. Überprüfen Sie die Maschine auf Transportschäden und verwenden Sie diese nicht, wenn sie beschädigt ist. Halten Sie Verpackungsmaterialien von Kindern fern. Es besteht Erstickungsgefahr!

### 4. Verpackungsinhalt

- 1× Akku-Rohrreinigungsspirale
- 1× Originalbetriebsanleitung

### 5. Bestimmungsgemäßer Gebrauch

Diese tragbare, akkubetriebene Rohrreinigungswelle ist dafür vorgesehen, hartnäckige Verstopfungen Abflüssen und Rohren zu beseitigen.

### 6. Welle und Drehrichtungswechsel

Das Gerät verfügt über zwei Bedienschalter, einen Vorwärts/Neutral/Rückwärts Hebel und einen Drehrichtungsumschalter.

Zum Ausraumen eines Rohres verwenden Sie den Rechtslauf der Maschine. Stellen Sie dazu den Drehrichtungsumschalter **(3)** so ein, dass das mit R bezeichnete linke Ende des Umschalters aus der Maschine ragt. Die Welle **(1)** rotiert jetzt beim Einschalten der Maschine mit dem Abzugschalter **(4)** von ihnen aus gesehen im Uhrzeigersinn. Wenn Sie den Vorwärts-/Neutral/Rückwärts Hebels **(2)** nach vorn schieben wird die Welle vorgeschoben. In neutraler Stellung des Hebels rotiert die Welle, aber es wird keine weitere Welle zugegeben, und bei nach hinten gezogenem Hebel wird die Welle ins Gerät zurückgezogen.

Zum Befreien einer feststehenden Welle verwenden Sie den Linkslauf der Maschine. Stellen Sie dazu den Drehrichtungsumschalter **(3)** so ein, dass das mit L bezeichnete rechte Ende des Umschalters aus der Maschine ragt. Die Welle rotiert jetzt beim Einschalten der Maschine mit dem Abzugschalter **(3)** von ihnen aus gesehen gegen den Uhrzeigersinn. Wenn Sie den Vorwärts-/Neutral/Rückwärts Hebel **(2)** nach vorn schieben wird, die Welle ins Gerät zurückgezogen.

In neutraler Stellung des Hebels rotiert die Welle, aber es wird keine weitere Welle zugegeben, und bei nach hinten gezogenem Hebel wird die Welle ins vorgeschoben.

## 7. Weitere Hinweise Ausräumen eines Rohres

Demontieren Sie, falls vorhanden, den Geruchsverschluss und eventuelle Schiebehöhre des Abflusses.

Tragen Sie keine lockere Kleidung oder Schmuck, der sich in der Welle verfangen kann. Tragen Sie, falls Sie lange Haare haben, ein Haarnetz.

Verwenden Sie keine weiten Arbeitshandschuhe, die sich in der Welle verfangen können. Schützen Sie Ihre Hände mit eng anliegenden Handschuhen aus beschichtetem Gewebe und tragen Sie darunter eventuell Latex- oder Gummihandschuhe.

Bringen Sie die Maschine immer so nah wie möglich an den Rohrzugang. Falls das nicht möglich ist verwenden Sie als Handlungshilfe ein geeignetes Schlauchstück, durch den Sie das freiliegende Stück der Welle führen.

Bitte beachten Sie, dass der Inhalt eines Abflusses infektiös ist und ätzende Rohrreiner enthalten kann. Das Tragen einer Schutzbrille und eines Mund- oder Gesichtsschutzes ist daher notwendig!

**WARNUNG:** Falls das Gerät nicht wie in dieser Betriebsanleitung beschrieben funktioniert, wenden Sie sich an den Batavia Kundenservice oder an eine kompetente Reparaturwerkstatt.

## 8. Arbeitsleuchte

Die Arbeitsleuchte (7) beleuchtet beim Betrieben der Kartuschenpistole den Arbeitsbereich.

Beim Drücken des Abzugsschalters (4) schaltet sich die Arbeitsleuchte (7) ein. Nach dem Loslassen des Abzugsschalters leuchtet die Arbeitsleuchte noch etwa fünf Sekunden lang weiter und erlischt dann.

## 9. Reinigung und Wartung

**WARNUNG:** Entnehmen Sie den Akku, bevor Sie Wartungs- oder Reinigungsarbeiten an dem Gerät durchführen.

### 9.1 Reinigung

- Reinigen Sie die Welle mit warmem Wasser und etwas Spülmittel und lassen Sie sie im ausgefahrenen Zustand vollständig trocknen. Ölen Sie die Welle nach dem Trocknen leicht ein.
- Reinigen Sie ihr Gerät gegebenenfalls mit einem feuchten Tuch. Benutzen Sie keine chemischen Reinigungsmittel, die aggressive Substanzen enthalten, da diese das Plastikgehäuse angreifen können. Achten Sie darauf, dass die Lüftungsschlitze immer sauber und offen bleiben.
- Halten Sie Schutzvorrichtungen, Lüftungsöffnungen und Motorengehäuse so staub- und schmutzfrei wie möglich. Reiben Sie das Elektrowerkzeug mit einem sauberen Tuch ab oder blasen Sie es mit Druckluft bei niedrigem Druck aus.
- Wir empfehlen, dass Sie das Elektrowerkzeug direkt nach jeder Benutzung reinigen.
- Reinigen Sie das Elektrowerkzeug regelmäßig mit einem feuchten Tuch und etwas Schmierseife.

### 9.2 Wartung

Im Geräteinneren befinden sich keine weiteren zu wartenden Teile.

## 10. Technische Daten

Leerlaufdrehzahl . . . . . 0 – 560 min<sup>-1</sup>  
 Mögliche Rohrdurchmesser . ø 19 – 50 mm  
 Länge der Flexiblen Welle . . . . . 7 m  
 Arbeitslänge . . . . . 6,8 m  
 Durchmesser der Welle /  
 des Wellenkopfes . . . . . ø 7 / 12 mm  
 Produktgewicht ohne Akku . . . . . 3,46 kg  
 Abmessungen Produkt . . . 40 × 17 × 20 cm  
 Schalldruckpegel L<sub>pA</sub> . . . . . 69,8 dB(A)  
 Unsicherheit K<sub>pA</sub> . . . . . 3 dB  
 Schalleistungspegel L<sub>WA</sub> . . . . . 80,8 dB(A)  
 Unsicherheit K<sub>WA</sub> . . . . . 3 dB  
 Hand-Arm-Vibration . . . . . 2,3 m/s<sup>2</sup>  
 Unsicherheit K . . . . . 1,5 m/s<sup>2</sup>  
 IP Schutzklasse . . . . . IP43

## 11. Entsorgung



*Entsorgen Sie Elektrowerkzeuge nicht über den Hausmüll.*

Das Elektrowerkzeug befindet sich in einer Verpackung, um Transportschäden zu verhindern. Diese Verpackung ist Rohstoff und ist somit wieder verwendbar oder kann dem Rohstoffkreislauf zurückgeführt werden. Das Elektrowerkzeug und dessen Zubehör bestehen aus verschiedenen Materialien, wie z.B. Metall und Kunststoffe. Führen Sie defekte Bauteile der Sondermüllentsorgung zu. Fragen Sie im Fachgeschäft oder in der Gemeindeverwaltung nach! Das Produkt und das Benutzerhandbuch können geändert werden. Die technischen Daten können ohne Vorankündigung geändert werden.

### 11.1 Batterien

Denken Sie bei der Entsorgung von Batterien an den Umweltschutz. Wenden Sie sich zwecks einer umweltfreundlichen Entsorgung an die lokalen Behörden.

## 12. EG-Konformitätserklärung

Wir, die **Batavia B.V., Weth. Wassebaliestraat 6d, NL-7951 SN Staphorst**, erklären in alleiniger Verantwortung, dass das Produkt **Akku-Rohrreinigungsspirale, Typ BT-CDA001, Artikel Nr. 7063455** den wesentlichen Schutzanforderungen genügt, die in den Europäischen Richtlinien **2014/30/EU** Elektromagnetische Verträglichkeit (EMV), **2006/42/EG** (Maschinen), **2011/65/EU** (RoHS) und deren Änderungen festgelegt sind. Für die Konformitätsbewertung wurden folgende harmonisierte Normen herangezogen:

**EN 60745-1:2009+A11:10;**  
**EN 60745-2-21:2009+A1:10;**  
**EK 9-BE-77(V3):2015;**  
**EK 9-BE-88:2014;**  
**EK 9-BE-89:2014;**  
**EK 9-BE-91:2015;**  
**EN 55014-1:2017;**  
**EN 55014-2:2015;**  
**AfPS GS 2019:01 PAK**

Staphorst, den 6. Juli 2022

Meino Seinen, Qualitätsbeauftragter  
 Batavia B.V., Weth. Wassebaliestraat 6d,  
 NL-7951SN Staphorst, Niederlande

Das Produkt und das Benutzerhandbuch können geändert werden. Die technischen Daten können ohne Vorankündigung geändert werden.

## Cher client

Les manuels d'utilisation contiennent des consignes importantes pour la manipulation de votre nouveau produit. Ils vous permettent d'utiliser toutes les fonctions, d'éviter des erreurs de compréhension et de prévenir les dommages.

**Veuillez lire le ci-joint « Consignes générales de sécurité pour appareils électriques » ainsi que toutes les consignes de sécurité supplémentaires contenues dans ce mode d'emploi!**

Veuillez prendre le temps de lire tranquillement ce manuel d'utilisation et conservez-le jalousement pour une consultation ultérieure.

### Batterie et chargeur non inclus!

La batterie disponible séparément sous art. No: 7062517 (2Ah) ou 7062518 (4Ah).

Le chargeur disponible séparément sous art. No: 7062519.

Ces articles sont disponibles en ligne et dans les magasins participants.

## 1. Explication des symboles

Les symboles suivants sont utilisés dans le manuel d'utilisation ou apposés sur le produit :



**AVERTISSEMENT** : pour réduire les risques de blessures, veuillez lire le mode d'emploi.



Indique un risque de blessures, un danger mortel ou un risque d'endommagement de l'outil en cas de non-respect des consignes de ce mode d'emploi.



Portez des lunettes de protection. Les étincelles provoquées par le travail ou les éclats, les copeaux et les poussières provenant de l'appareil électrique peuvent entraîner la perte de la vue.



Le nombre de rotations de la machine peut être réglé électroniquement.



CE est l'abréviation de "Conformité Européenne", ce qui signifie "conforme aux directives de

l'Union Européenne". Le fabricant confirme par le marquage CE que cet appareil électrique correspond aux directives européennes en vigueur.



Ne jetez pas les équipements électriques avec les ordures ménagères.

## 2. Instructions de sécurité supplémentaire pour dégorgeoir sans fil

- 2.1 Portez des lunettes de sécurité et un écran facial pour vous protéger contre le contenu potentiellement toxique et infectieux du drain.
- 2.2 Porter des gants en tissu enduit moullants qui ne se coinceront pas dans le serpent. Des blessures graves peuvent survenir si les mains ou les doigts sont tirés dans la bobine. Si nécessaire, portez des gants de protection en caoutchouc ou en latex sous les gants de protection.
- 2.3 S'il vous plaît noter que les produits chimiques pour le nettoyage des drains sont corrosifs, porter des vêtements de protection si de tels moyens ont été utilisés avant d'utiliser la spirale de nettoyage.
- 2.4 Ne pas manger, boire ou fumer pendant l'utilisation du nettoyeur de drains. Après avoir travaillé avec du savon et de l'eau chaude, nettoyez vos mains et les autres parties du corps qui ont été en contact avec le contenu du drain ou d'autres. Débris avant de manger, de boire ou de fumer. Cela vous aidera à éviter d'absorber des matières toxiques ou infectieuses.
- 2.5 Il peut y avoir des blessures aux doigts, aux mains, aux bras ou à d'autres parties du corps lorsque des vêtements ou des gants sont tirés dans les parties rotatives. Par conséquent, ne portez que des vêtements serrés et éventuellement un résille. Ne portez pas de bijoux ou d'autres objets susceptibles de se coincer dans la spirale.

- 2.6 N'utilisez pas de gants souples ou de chiffons pour maintenir l'arbre flexible rotatif, car cela pourrait causer de graves blessures si vous tordiez l'arbre flexible. Ne saisissez l'arbre qu'avec des gants appropriés et bien ajustés. Des gants inappropriés peuvent se coincer dans l'arbre et causer des blessures graves.
- 2.7 Tenez la machine aussi près que possible de l'entrée de l'évacuation ou du tuyau que vous nettoyez pour éviter que l'arbre flexible ne se torde ou ne forme des boucles. Une pièce libre trop longue de l'arbre flexible peut se tordre et se briser et causer des dommages graves. Tenez la machine aussi près que possible de l'évacuation ou du tuyau que vous nettoyez. Si la machine ne peut pas être tenue près de l'entrée, utilisez un tuyau de guidage. Si la distance est trop grande, l'arbre flexible risque de se tordre et de se rompre.
- 2.8 Gardez l'appareil le plus près possible du tube. Si l'outil est difficile à approcher du tuyau, utilisez le tube de guidage avant. Si la distance est trop longue, cela peut entraîner un enroulement ou une rupture de l'arbre flexible.
- 2.9 La machine et la spirale doivent toujours être dirigées par la même personne. Si la spirale est bloquée, l'opérateur doit immédiatement pouvoir arrêter la machine pour éviter que la spirale ne se torde, ne se case ou ne se casse.
- 2.10 Arrêtez la machine instantanément si la spirale se verrouille. Sinon, la spirale peut devenir surchargée et hors de contrôle, se briser ou se casser. Cela peut entraîner des blessures graves.
- 2.11 Cette machine est conçue exclusivement pour le nettoyage des drains et des tuyaux. Les autres utilisations ne sont pas autorisées.
- 2.12 Vérifiez régulièrement que les écrous, boulons et autres dispositifs de fixation soient bien serrés et resserrés-les si nécessaire.

### 3. Avant la première utilisation

Retirez l'appareil et les accessoires de l'emballage. Vérifiez si l'appareil a subi des dommages durant le transport et ne l'utilisez pas dans ce cas. Conservez les matériaux d'emballage hors de la portée des enfants, risque d'étouffement !

### 4. Contenus de l'emballage

- 1x Déboucheur de canalisation sans fil
- 1x Mode d'emploi

### 5. Utilisation normale

Cette tarière de vidange portative à piles est conçue pour éliminer les obstructions tenaces dans les drains et les tuyaux.

### 6. Réglage du sens de rotation

La machine est équipée de deux éléments fonctionnels : un levier marche avant/neutre/marche arrière et un interrupteur régissant le sens de rotation.

Pour débloquer une canalisation, utilisez la machine avec la rotation dans le sens horaire. Pour ce faire, réglez l'interrupteur régissant le sens de rotation **(3)** sur la position L. Quand la machine est démarrée avec l'interrupteur **(4)**, l'arbre **(1)** tourne, vu depuis votre côté, dans le sens horaire. Quand vous poussez le levier marche avant/neutre/marche arrière **(2)** vers l'avant, l'arbre souple est entraîné vers l'avant hors de la machine. Quand le levier est en position neutre, l'arbre tourne mais n'est alimenté dans aucune direction. Quand le levier est poussé vers l'arrière, l'arbre est rétracté dans la machine.

Le fonctionnement inverse (sens antihoraire) de la machine sert à libérer un arbre souple bloqué. Pour ce faire, réglez l'interrupteur régissant le sens de rotation **(3)** sur la position L. Quand la machine est démarrée avec l'interrupteur **(4)**, l'arbre tourne, vu depuis votre côté, dans le sens antihoraire. Quand vous poussez le levier marche avant/neutre/marche arrière **(2)** vers l'avant, l'arbre souple est rétracté vers l'arrière dans la machine. Quand le levier est en position neutre, l'arbre tourne mais n'est alimenté dans aucune direction. Quand le levier est poussé vers l'arrière, l'arbre est entraîné vers l'avant hors de la machine.

## 7. Remarques supplémentaires sur le déblocage d'une canalisation

Enlevez le siphon, le cas échéant. Démontez également tout autre tuyau coulissant de la canalisation, le cas échéant.

Ne portez pas de vêtements amples ou de bijoux pouvant être happés par l'arbre souple. Si vous avez les cheveux longs, portez un filet à cheveux.

Ne portez pas de gants de travail amples qui pourraient être happés par l'arbre. Protégez vos mains avec des gants en tissu enduit serrés et, si nécessaire, portez des gants en latex ou en caoutchouc par dessous.

Placez toujours la machine aussi proche que possible de l'entrée du tuyau. Si cela n'est pas possible, faites passer la partie libre de l'arbre à travers un morceau de tuyau adéquat pour la manipulation.

Gardez à l'esprit que le contenu d'une canalisation est riche d'agents infectieux et peut renfermer des nettoyeurs caustiques pour canalisation. Il est obligatoire de porter des lunettes de sécurité et une protection pour la bouche ou le visage !

**ATTENTION** : Si l'appareil ne fonctionne pas comme décrit dans ce manuel, adressez-vous au service après-vente de Batavia ou à un professionnel compétent.

## 8. Éclairage de travail

L'éclairage de travail (7) éclaire la zone de travail pendant l'utilisation.

Lorsque le commutateur à gâchette (4) est enfoncé, le témoin de fonctionnement (7) s'allume. Lorsque le commutateur à gâchette est relâché, le témoin de fonctionnement s'éteint après environ cinq secondes.

## 9. Nettoyage et maintenance

**ATTENTION** : Sortez la batterie avant d'entreprendre un travail de nettoyage ou d'entretien.

### 9.1 Nettoyage

- Nettoyez l'arbre souple avec de l'eau tiède et un peu de détergent et laissez-le sécher complètement à l'état

déployé. Après le séchage, huilez légèrement l'arbre souple.

- Nettoyez l'appareil uniquement avec un chiffon humide. N'utilisez pas des produits chimiques agressifs ou des produits abrasifs, car ils pourraient dissoudre les pièces en plastique. Gardez toujours les fentes de ventilation propres et exemptes d'obstructions.
- Les équipements de protection, les fentes de ventilation et le carter du moteur doivent rester aussi propres que possible, sans poussière ni salissures. Nettoyez l'appareil électrique avec un chiffon propre ou en soufflant de l'air comprimé à faible pression.
- Nous conseillons de nettoyer l'appareil électrique immédiatement après chaque utilisation.
- Nettoyez régulièrement l'appareil électrique avec un chiffon humide et un peu de savon noir.

### 9.2 Maintenance

Il n'y a aucune autre pièce nécessitant un entretien à l'intérieur de l'appareil.

## 10. Fiche technique

Vitesse à vide	0 – 560 min <sup>-1</sup>
Diamètres de tuyaux possibles	∅ 19 – 50 mm
Longueur de la tige flexible	7 m
Longueur de travail	6,8 m
Diamètre de l'arbre / de la tête de l'arbre	∅ 7 / 12 mm
Poids de l'appareil sans batterie	3,46 kg
Dimensions du produit	40 × 17 × 20 cm
Niveau de pression acoustique L <sub>pA</sub>	69,8 dB(A)
Incertitude K <sub>pA</sub>	3 dB
Niveau de puissance acoustique L <sub>WA</sub>	80,8 dB(A)
Incertitude K <sub>WA</sub>	3 dB
Niveau des vibrations	2,3 m/s <sup>2</sup>
Incertitude K	1,5 m/s <sup>2</sup>
Indice de protection	IP43



## 11. Élimination et recyclage



*N'éliminez pas les appareils électriques via les ordures ménagères.*

L'appareil électrique se trouve dans un emballage afin d'éviter tout dommage pendant le transport. Cet emballage est une matière première et peut donc être réutilisé ultérieurement ou être réintroduit dans le circuit des matières premières.

L'appareil électrique et ses accessoires sont composés de plusieurs matériaux, par exemple des métaux et des matières plastiques. Éliminez les composants défectueux via les systèmes d'élimination des déchets spéciaux. Renseignez-vous dans un magasin spécialisé ou auprès de l'administration de votre commune!

Le produit et le manuel utilisateur peuvent être modifiés. Les caractéristiques techniques peuvent être modifiées sans préavis.

### 11.1 Batteries

Lors de l'élimination des batteries, pensez à la protection de l'environnement. Pour une élimination écologique, adressez-vous aux autorités locales.

## 12. CE-Déclaration de conformité

Nous, **Batavia B.V., Weth. Wassebaliestraat 6d, NL-7951 SN Staphorst**, déclarons sous notre seule responsabilité que le produit **Déboucheur de canalisation sans fil, Modèle BT-CDA001, N° d'article 7063455** satisfait les principales exigences de protection définies dans les directives européennes compatibilité électromagnétique (CEM) **2014/30/EU, 2006/42/CE** (machines), **2011/65/EU** ainsi que les modifications y apportées. Pour évaluer la conformité nous avons eu recours aux normes harmonisées ci-dessous:

**EN 60745-1:2009+A11:10;**  
**EN 60745-2-21:2009+A1:10;**  
**EK 9-BE-77(V3):2015;**  
**EK 9-BE-88:2014;**  
**EK 9-BE-89:2014;**  
**EK 9-BE-91:2015;**  
**EN 55014-1:2017;**  
**EN 55014-2:2015;**  
**AfPS GS 2019:01 PAK**

Staphorst, le 6 juillet 2022

Meino Seinen, Responsable de qualité  
 Batavia B.V., Weth. Wassebaliestraat 6d,  
 7951 SN Staphorst, Pays-Bas

Le produit et le manuel utilisateur peuvent être modifiés. Les caractéristiques techniques peuvent être modifiées sans préavis.

## Geachte klant

Gebruikershandleidingen verstrekken nuttige tips m.b.t. gebruik van uw nieuwe apparaat. Ze helpen u alle functies te gebruiken, misverstanden te voorkomen en beschadiging te vermijden. Neem de tijd deze handleiding zorgvuldig te lezen en bewaar het als naslagwerk.

### Lees alstublieft de los bijgevoegde "Algemene veiligheidsvoorschriften voor elektrisch gereedschap" en alle aanvullende veiligheidsinstructies in deze gebruiksaanwijzing!

Deze handleiding bevat belangrijke informatie over het bedienen en hanteren van het apparaat. Bewaar deze gebruiksaanwijzing voor verdere verwijzing. Gelieve het samen met het toestel door te geven als deze aan derden wordt overhandigd.

### Accu en oplader niet inbegrepen.

De accu is leverbaar onder art. nr.: 7062517 (2Ah) en 7062518 (4Ah).

De oplader is leverbaar onder art. nr.: 7062519.

Deze items zijn verkrijgbaar in deelnemende winkels en online.

## 1. Uitleg van de symbolen

De volgende symbolen worden gebruikt in de gebruikershandleiding of op het product:



**WAARSCHUWING** – Lees de gebruiksaanwijzing om het risico op letsel te verminderen.



**Gevaar voor lichamelijk letsel of materiële schade wanneer de instructies in deze handleiding niet worden opgevolgd.**



**Draag een veiligheidsbril. Vonken die tijdens het werk ontstaan, of van de machine afkomstige splinters, spaanders en stof kunnen leiden tot oogbeschadiging.**



**Variabele toerentalregeling.**



**CE staat voor: „Conformité Européenne“. Dit betekent: „Voldoet aan EU-richtlijnen“. Met de CE-markering bevestigt de**

**fabrikant dat deze machine voldoet aan de geldende Europese richtlijnen.**



**De machine mag niet worden afgevoerd met het huishoudelijk afval.**

## 2. Aanvullende veiligheidsvoorschriften voor de accu afvoerontstopper

- 2.1 Draag een veiligheidsbril en gezichtsbescherming om uzelf te beschermen tegen de mogelijke giftige en infectieuze inhoud van afvoeren.
- 2.2 Draag nauwsluitende en stevige handschoenen. Gemaakt van gecoat textiel dat niet in de flexibele as kan blijven haken. Ernstige letsel kan het gevolg zijn van handen of vingers die in de flexibele as worden getrokken. Draag indien nodig beschermende handschoenen gemaakt van rubber of latex onder deze stevige handschoenen.
- 2.3 Houd er rekening mee dat chemische en bijtende rioolreinigers gebruikt kunnen zijn voordat u te werk gaat met deze automatische goot ontstopper. Draag hiervoor beschermende uitrusting.
- 2.4 Eet, drink en rook niet tijdens het gebruik van de goot ontstopper. Reinig na het werk uw handen en andere lichaamsdelen die in contact zijn gekomen met de inhoud van de afvoer of andere verontreinigingen met zeep en warm water dit voordat u eet, drink of rookt. Op deze manier vermijdt u het opnemen van eventuele giftig of infectueus materiaal.
- 2.5 Er kunnen verwondingen ontstaan aan vingers, handen, armen of andere delen van het lichaam wanneer kleding of handschoenen in de draaiende delen worden getrokken. Draag daarom alleen strakke kleding en mogelijk een haarnet. Draag geen sieraden of andere dingen die in de spiraal kunnen komen.
- 2.6 Gebruik geen zachte handschoenen of voddens om de draaiende flexibele as te begeleiden. Pak alleen de flexibele as

vast met geschikte en nauwsluitende handschoenen. Ongeschikte handschoenen kunnen vast komen te zitten in de flexibele as en ernstige letsel veroorzaken.

- 2.7 Houd de machine zo dicht mogelijk bij de invoer of de pijp die u schoonmaakt. Dit om te voorkomen dat de flexibele as kan draaien of lussen vormen. Een te lang vrij stuk van de flexibele as kan draaien en breken en vervolgens ernstige letsel veroorzaken. Houd de machine zo dicht mogelijk bij de afvoer of de pijp die u schoonmaakt. Als de machine niet in de buurt van de invoer kan worden gehouden, gebruik dan een geleideslang. Als de afstand te groot is, kan de flexibele as geblokkeerd worden of breken.
- 2.8 Stop onmiddellijk de machine zodra de flexibele as geblokkeerd is. Anders kan deze flexibele as overbelast raken en daardoor breken of draaien. Dit kan ernstige letsel veroorzaken. Gebruik altijd de achteruitversnelling om de flexibele as los te maken.
- 2.9 De machine en de flexibele as moet door dezelfde persoon bestuurd worden. Als de flexibele as is geblokkeerd, moet de gebruiker de machine onmiddellijk stoppen. Dit zodat de flexibele as niet kan knikken, draaien of breken.
- 2.10 Gebruik de achteruitversnelling alleen om de flexibele as vrij te maken van blokkering en om de flexibele as binnen te halen.
- 2.11 De machine is alleen bedoeld voor het ontstoppen van afvoeren en leidingen. Alle andere toepassingen zijn verboden.
- 2.12 Controleer regelmatig alle moeren, bouten en andere bevestigingen en draai ze vast waar nodig.

### 3. Voor het eerste gebruik

Haal de machine en de accessoires uit de verpakking. Controleer de machine op transportschade en gebruik de machine niet in geval van schade. Houd het verpakkingsmateriaal uit de buurt van kinderen, risico op verstikking!

### 4. Inhoud van de verpakking

- 1x Accu afvoerontstopper
- 1x Gebruiksaanwijzing

### 5. Beoogd gebruik

Deze accu afvoerontstopper is bedoeld voor het verwijderen van hardnekkige verstoppingen in afvoeren en leidingen.

### 6. Instellen van draairichting

De afvoerontstopper is voorzien van twee bedieningsschakelaars. Een vooruit/ neutraal/achteruit hendel en een draairichtingschakelaar.

Om een afvoer te ontstoppen, gebruik de afvoerontstopper met de klok mee. Zet hiervoor de draairichtingsschakelaar **(3)** in positie R. Wanneer de afvoerontstopper wordt gestart met de aan/uit schakelaar **(4)**, draait de as **(1)**, gezien vanaf uw zijde, met de klok mee. Wanneer de vooruit/ neutraal / achteruit hendel **(2)** naar voren duwt, wordt de flexibele as naar voren uit de machine geduwd. In de neutrale stand van de hendel draait de as, maar wordt de as niet naar binnen getrokken of naar buiten geduwd. Wanneer de hendel **(2)** naar achteren wordt getrokken, wordt de as teruggetrokken in de machine.

De omgekeerde werking (tegen de klok in) van de afvoerontstopper wordt gebruikt voor het vrijmaken van de geblokkeerde flexibele as. Zet hiervoor de draairichtingsschakelaar **(3)** in positie L. Wanneer de afvoerontstopper gestart wordt met de aan/uit schakelaar **(4)**, draait de as, gezien vanaf uw zijde tegen de klok in. Wanneer u de vooruit/ neutraal/ achteruihendel **(2)** naar voren duwt, wordt de flexibele as terug in de machine getrokken.

In de neutrale positie van de hendel draait de as maar wordt er geen richting gevoerd. Wanneer de hendel naar achteren getrokken wordt, wordt de as naar voren uit de machine geduwd.

## 7. Verdere opmerkingen voor het deblokkeren van een afvoer

Verwijder de sifon indien aanwezig. Verwijder ook verdere glijdend pijpwerk van de afvoer, indien aanwezig.

Draag geen loszittende kleding en/of sierraden die in de flexibele as kunnen blijven haken. Als je lang haar hebt, gebruik dan een haarnet.

Gebruik geen losse werkhandschoenen die in de as kunnen blijven haken. Bescherm uw handen met nauwsluitende en geocate stoffen handschoenen. Draag indien nodig latex of rubberen handschoenen onder deze handschoenen.

Breng de machine altijd zo dicht mogelijk bij de ingang van de afvoer. Als dit niet mogelijk is, laat u het vrije gedeelte van de as door een geschikt stuk slang lopen voor gebruik.

Houd er rekening mee dat de inhoud van de afvoer besmettelijk is en mogelijk bijtende reinigingsmiddelen bevat. Het dragen van een veiligheidsbril en mond- of gezichtsbescherming is verplicht!

**WAARSCHUWING:** Als de machine niet werkt zoals beschreven in deze handleiding, neem contact op met verkoper.

## 8. Werkklamp

De werkklamp (7) verlicht het werkgebied tijdens de werkzaamheden.

Wanneer de aan/uit schakelaar (4) wordt ingedrukt, gaat de werkklamp (7) automatisch branden. Wanneer de aan/uit schakelaar wordt losgelaten, gaat het werkklampje na ongeveer vijf seconden uit.

## 9. Reiniging en onderhoud

**WAARSCHUWING:** Verwijder de accu voordat u reinigings- of onderhoudswerkzaamheden uitvoert.

### 9.1 Reiniging

- Reinig de flexibele as met warm water en een beetje reinigingsmiddel. Laat hem vervolgens volledig drogen in uitgeschoven toestand. Na het opdrogen, olie de flexibele as licht in.
- Gebruik alleen een vochtige doek om de machine schoon te maken. Gebruik geen agressieve chemicaliën die plastic

onderdelen of schuurmiddelen kunnen oplossen. Houd de ventilatiesleuven altijd schoon en vrij van abstracties.

- Houd veiligheidsvoorzieningen, ventilatieopeningen en de behuizing van de motor zo goed mogelijk vrij van stof en vuil. Veeg de machine af met een schone doek of blaas hem uit met perslucht onder lage druk.
- Wij bevelen aan om de machine direct na ieder gebruik te reinigen.
- Reinig de machine regelmatig met een vochtige doek en een beetje zachte zeep. Gebruik geen reinigings- of oplosmiddelen; die kunnen de kunststof delen van de machine aantasten. Let erop dat er geen water in het binnenste van de machine kan komen.

### 9.2 Onderhoud

In het binnenwerk van de machine bevinden zich geen te onderhouden onderdelen.

## 10. Technische gegevens:

Onbelast toerental . . . . .	0 – 560 min <sup>-1</sup>
Mogelijke afvoerdiameters . . . . .	∅ 19 – 50 mm
Lengte flexibele veer . . . . .	7 m
Effectieve lengte . . . . .	6,8 m
Diameter van veer / veer-kop . . . . .	∅ 7 / 12 mm
Productgewicht zonder accu . . . . .	3,46 kg
Afmetingen product . . . . .	40 × 17 × 20 cm
Geluidsdrukniveau L <sub>pA</sub> . . . . .	69,8 dB(A)
Onzekerheid K <sub>pA</sub> . . . . .	3 dB
Geluidsvermogeniveau L <sub>WA</sub> . . . . .	80,8 dB(A)
Onzekerheid K <sub>WA</sub> . . . . .	3 dB
Hand arm vibratie . . . . .	2,3 m/s <sup>2</sup>
Onzekerheid K . . . . .	1,5 m/s <sup>2</sup>
IP klasse . . . . .	IP43

## 11. Afvalverwerking en hergebruik



*De machine mag niet worden afgevoerd met het huishoudelijk afval.*

De machine bevindt zich in een verpakking om transportschade te vermijden. Deze verpakking is grondstof en is dus herbruikbaar of kan weer in de grondstoffenkringloop teruggevoerd worden. De machine en zijn accessoires bestaan uit verschillende materialen, zoals bijv. metaal en kunststoffen. Voer defecte onderdelen af als gevaarlijke stoffen. Vraag bij de vakhandel of op het gemeentehuis om meer informatie!

Het product en de gebruiksaanwijzing kunnen wijzigen. De technische gegevens kunnen zonder voorafgaande aankondiging worden gewijzigd.

### 11.1 Batterijen

Denk bij het afvoeren van batterijen aan de bescherming van het milieu. Neem voor milieuvriendelijke afvoer contact op met de lokale overheid.

## 12. EG-Conformiteitsverklaring

Hiermee verklaren wij, **Batavia B.V., Wethouder Wassebaliestraat 6d, NL-7951 SN Staphorst**, dat het apparaat **Accu afvoertopstopper, Model BT-CDA001, Artikel Nr. 7063455** op grond van zijn ontwerp en bouwwijze en in de door ons in omloop gebrachte uitvoering voldoet aan de desbetreffend van toepassing zijnde fundamentele veiligheids- en gezondheidsvereisten van de EG-richtlijnen: **2014/30/EU** (Elektromagnetische compatibiliteit), **2006/42/EG** (Machines), **2011/65/EU** (RoHS). Voor de evaluatie van de conformiteit zijn de volgende geharmoniseerde normen toegepast:

**EN 60745-1:2009+A11:10;**  
**EN 60745-2-21:2009+A1:10;**  
**EK 9-BE-77(V3):2015;**  
**EK 9-BE-88:2014;**  
**EK 9-BE-89:2014;**  
**EK 9-BE-91:2015;**  
**EN 55014-1:2017;**  
**EN 55014-2:2015;**  
**AfPS GS 2019:01 PAK**

Staphorst, 6 juli 2022

Technische documentatie bewaard door:  
 Meino Seinen,  
 Batavia B.V., Weth.Wassebaliestraat 6d,  
 7951 SN Staphorst, Nederland

Het product en de gebruiksaanwijzing kunnen wijzigen. De technische gegevens kunnen zonder voorafgaande aankondiging worden gewijzigd.

## Gentile cliente

Leggendo accuratamente tutti i capitoli del presente manuale nell'ordine presentato, potrà acquisire dimestichezza con il corretto uso del dispositivo. La invitiamo a conservare queste istruzioni di utilizzo per successive consultazioni.

### Leggere le "Istruzioni di sicurezza generali per utensili elettrici" incluse e tutte le istruzioni di sicurezza aggiuntive nel presente manuale.

Il presente manuale contiene informazioni importanti sull'utilizzo e la gestione del dispositivo. La invitiamo a conservare queste istruzioni di utilizzo per successive consultazioni. In caso di trasferimento dell'unità a terzi, dovrà essere ceduto anche il manuale.

### Batteria e caricabatterie non inclusi.

La batteria è venduta separatamente con il n. articolo: 7062517 (2 Ah) o 7062518 (4 Ah).

Il caricabatterie è venduto separatamente con il n. articolo: 7062519.

Questi articoli sono disponibili online e nei negozi associati.

## 1. Spiegazione dei simboli

I seguenti simboli sono utilizzati nel manuale di istruzioni e sul prodotto:



**Avviso!** Per ridurre il rischio di lesioni, l'utente deve leggere le istruzioni del presente manuale.



Indica il rischio di lesioni personali, morte o danni all'apparecchio derivante dal mancato rispetto delle istruzioni contenute nel presente manuale.



Indossare occhiali di sicurezza. Quando si lavora con utensili elettrici, possono essere generati scintille, schegge, trucioli e particelle di polvere che possono causare la perdita della vista.



Controllo di velocità variabile.



CE è l'abbreviazione di Conformità Europea e ha il significato di "Ai sensi dei regolamenti dell'Unione

Europea". Attraverso la marcatura CE, il produttore attesta che il presente utensile elettrico è conforme alle direttive europee vigenti.



Non smaltire gli utensili elettrici con i normali rifiuti domestici.

## 2. Ulteriori istruzioni di sicurezza per l'uso della sturatubi senza fili

- 2.1 Indossare occhiali di protezione e una maschera per proteggersi dal contenuto potenzialmente velenoso e infettivo degli scarichi.
- 2.2 Indossare guanti aderenti e resistenti realizzati in tessuto rivestito che non possono rimanere impigliati nell'albero flessibile. Se le mani o le dita rimangono incastrate nell'albero flessibile, possono verificarsi gravi lesioni. Se necessario, indossare guanti di protezione di gomma o lattice sotto agli altri guanti.
- 2.3 È importante ricordare che i detergenti chimici per la pulizia degli scarichi sono componenti caustici, pertanto si raccomanda di indossare adeguati dispositivi di protezione se si utilizzano detergenti di questo tipo prima di usare la sturatubi.
- 2.4 Non mangiare, bere o fumare durante l'uso della sturatubi. Una volta completato il lavoro, prima di mangiare, bere o fumare lavare con sapone e acqua calda le mani e le altre parti del corpo che sono entrate in contatto con il contenuto degli scarichi o con altri contaminanti. In questo modo si evita di ingerire sostanze tossiche o infettive.
- 2.5 Se gli indumenti o i guanti rimangono impigliati nelle parti rotanti, possono verificarsi gravi lesioni alle dita, alle mani, alle braccia o ad altre parti del corpo. Pertanto, si raccomanda di indossare indumenti aderenti e, se necessario, una retina per capelli. Non indossare gioielli o altri oggetti che potrebbero rimanere impigliati nell'albero flessibile.

- 2.6 Non usare guanti morbidi o stracci per guidare l'albero flessibile durante la rotazione. Se si attorcigliano nell'albero flessibile, possono verificarsi gravi lesioni. Afferrare l'albero flessibile solo se si indossano guanti aderenti adatti all'uso. Guanti non adatti possono rimanere impigliati nell'albero flessibile, causando gravi lesioni.
- 2.7 Tenere l'apparecchio quanto più vicino possibile all'ingresso dello scarico o del tubo da pulire, per evitare che l'albero flessibile si attorcigli o formi delle anse. Un albero flessibile troppo lungo può attorcigliarsi e spezzarsi, causando gravi lesioni. Tenere l'apparecchio quanto più vicino possibile allo scarico o al tubo da pulire. Se l'apparecchio non può essere tenuto vicino all'ingresso dello scarico o del tubo, utilizzare un tubo flessibile come guida. Se la distanza è eccessiva, l'albero flessibile potrebbe attorcigliarsi e spezzarsi.
- 2.8 Se l'albero flessibile si blocca, arrestare immediatamente l'apparecchio. In caso contrario, l'albero flessibile potrebbe essere sottoposto ad una eccessiva sollecitazione e diventare incontrollabile, spezzarsi o attorcigliarsi. Ciò può causare gravi lesioni. Usare sempre la retromarcia per estrarre l'albero flessibile.
- 2.9 L'apparecchio e l'albero flessibile devono essere controllati dalla stessa persona. Se l'albero flessibile si blocca, l'operatore deve essere in grado di arrestare immediatamente la macchina, in modo da evitare che l'albero flessibile si pieghi, si attorcigli o si spezzi.
- 2.10 Non far funzionare l'apparecchio impostando la retromarcia. La retromarcia serve solo per estrarre l'albero flessibile nel caso in cui si blocchi.
- 2.11 Questo apparecchio è pensato unicamente per pulire gli scarichi e i tubi. Ogni altro uso è vietato.
- 2.12 Ispezionare periodicamente tutti i dadi, i bulloni e gli altri elementi di fissaggio e stringerli, se necessario.

### 3. Operazioni preliminari al primo uso del prodotto

Rimuovere il dispositivo e gli accessori dalla confezione. Controllare la presenza di eventuali danni al dispositivo durante il trasporto e non usarlo se è danneggiato. Tenere i materiali di imballaggio del prodotto lontano dalla portata dei bambini, perché possono essere causa di soffocamento.

### 4. Contenuto della confezione

- 1 sturatubi a tamburo a batteria
- 1 istruzioni per l'uso

### 5. Destinazione d'uso

La sturatubi a batteria portatile è pensata per rimuovere gli ingorghi ostinati negli scarichi e nei tubi.

### 6. Impostazione della direzione di rotazione

L'apparecchio è dotato di due elementi di funzionamento: una leva avanti/neutra/indietro e un interruttore di selezione della direzione di rotazione.

Per sbloccare uno scarico, utilizzare l'apparecchio impostando la rotazione in senso orario. Per fare ciò, impostare l'interruttore di selezione della direzione di rotazione **(3)** in modo che l'estremità sinistra contrassegnata con la lettera R non sia più visibile sull'apparecchio. Avviando l'apparecchio con il grilletto di azionamento **(4)**, l'albero **(1)** inizia a ruotare in senso orario. Spingendo in avanti la leva avanti/neutra/indietro **(2)**, l'albero flessibile viene spinto in avanti fuori dall'apparecchio. Portando la leva in posizione neutra, l'albero ruota ma non si muove in alcuna direzione, mentre tirando indietro la leva, l'albero rientra nell'apparecchio.

Il funzionamento inverso (in senso antiorario) dell'apparecchio serve a liberare l'albero flessibile quando si blocca. Per fare ciò, impostare l'interruttore di selezione della direzione di rotazione **(3)** in modo che l'estremità destra contrassegnata con la lettera L non sia più visibile sull'apparecchio. Avviando l'apparecchio con il grilletto di azionamento **(4)**, l'albero inizia a ruotare in senso antiorario. Spingendo in avanti la leva

avanti/neutra/indietro **(2)**, l'albero flessibile rientra nell'apparecchio.

Portando la leva in posizione neutra, l'albero ruota ma non si muove in alcuna direzione, mentre tirando indietro la leva, l'albero viene spinto fuori dall'apparecchio.

## 7. Ulteriori note per la pulizia degli scarichi

Rimuovere il sifone, se presente. Inoltre, rimuovere i giunti scorrevoli dei tubi di scarico, se presenti.

Non indossare indumenti larghi o gioielli che potrebbero rimanere impigliati nell'albero flessibile. Indossare una retina per capelli se si portano i capelli lunghi.

Non usare guanti da lavoro grandi, poiché potrebbero rimanere impigliati nell'albero. Proteggere le mani con guanti aderenti in tessuto rivestito e, se necessario, indossare guanti di lattice o gomma sopra gli altri.

Avvicinare quanto più possibile l'apparecchio all'ingresso del tubo. Qualora ciò non sia possibile, inserire la parte mobile dell'albero in un pezzo di tubo adatto per l'uso.

È importante ricordare che il contenuto degli scarichi è infettivo e può contenere detergenti caustici. È obbligatorio indossare occhiali di sicurezza e una protezione per la bocca o per il viso!

**AVVERTENZA:** se il dispositivo non funziona come descritto nel presente manuale, rivolgersi all'assistenza clienti di Batavia per ottenere una consulenza professionale.

## 8. Luce da lavoro

La luce da lavoro **(7)** serve ad illuminare l'area di lavoro durante l'uso del dispositivo.

Premendo il grilletto **(4)**, la luce da lavoro **(7)** si accende. Una volta rilasciato il grilletto, la luce da lavoro si spegne dopo circa cinque secondi.

## 9. Pulizia e manutenzione

**AVVERTENZA:** Rimuovere la batteria prima di procedere a operazioni di pulizia/manutenzione dell'utensile.

### 9.1 Pulizia

- Pulire l'albero flessibile con acqua calda e detergente e lasciarlo asciugare completamente in posizione estesa. Una volta asciugato, oliare leggermente l'albero flessibile.
- Utilizzare solamente un panno umido per pulire l'unità. Non utilizzare sostanze chimiche aggressive, che potrebbero decomporre le parti in plastica, o abrasive. Pulire sempre le aperture di ventilazione e tenerle libere da eventuali ostruzioni.
- Tenere i dispositivi di sicurezza, aperture di ventilazione e la carcassa del motore il più possibile liberi da sporco e polvere. Strofinare l'utensile elettrico con un panno pulito o soffiare su di esso con aria compressa a bassa pressione.
- Si consiglia di pulire l'utensile elettrico immediatamente dopo l'uso.
- Pulire l'utensile elettrico regolarmente con un panno umido e un sapone delicato.

### 9.2 Manutenzione

Non sono presenti parti interne dell'utensile che richiedono manutenzione.



## 10. Dati tecnici

Velocità a vuoto . . . . .	0 - 560 min <sup>-1</sup>
Capacità di spurgo . . . . .	Ø 19 - 50 mm
Lunghezza dell'albero flessibile . . . . .	7 m
Lunghezza di lavoro . . . . .	6,8 m
Diametro dell'albero/ della testa dell'albero . . . . .	Ø 7/12 mm
Peso del prodotto senza batteria . . . . .	3,46 kg
Dimensioni del prodotto . . . . .	40 × 17 × 20 cm
Livello di pressione sonora L <sub>pA</sub> . . . . .	69,8 dB(A)
Incertezza K <sub>pA</sub> . . . . .	3 dB
Livello di potenza sonora L <sub>WA</sub> . . . . .	80,8 dB(A)
Incertezza K <sub>WA</sub> . . . . .	3 dB
Vibrazione mano - braccio . . . . .	2,3 m/s <sup>2</sup>
Incertezza K . . . . .	1,5 m/s <sup>2</sup>
Classe IP . . . . .	IP43

## 11. Smaltimento



*Non smaltire gli utensili elettrici con i normali rifiuti domestici.*

■ L'utensile elettrico viene spedito in una confezione per ridurre i danni dovuti al trasporto. Questo imballaggio è una materia prima e come tale può o essere riutilizzata o può essere reimpressa nel ciclo delle materie prime. L'utensile elettrico e i relativi accessori sono realizzati in vari materiali come metalli e plastiche. Portare i componenti difettosi a un punto di raccolta dei rifiuti. Chiedete informazioni su questi punti di raccolta al vostro negozio specializzato o Comune. Il prodotto e il manuale dell'utente possono essere soggetti a modifiche. I dati tecnici possono essere modificati senza preavviso.

### 11.1 Batterie

Smaltire le batterie rispettando le norme di protezione ambientale. Contattare le autorità locali per sapere dove si trova il centro di smaltimento batterie più vicino.

Non smaltire le batterie con i rifiuti domestici.

Non smaltire le batterie bruciandole, altrimenti potrebbero esplodere.

## 12. Dichiarazione di conformità CE

Noi sottoscritti **Batavia B.V., Weth. Wassebaliestraat 6d, NL-7951 SN Staphorst** dichiara, sotto la sua piena responsabilità, che la **Sturatubi a tamburo a batteria, modello BT-CDA001, numero articolo 7063455** soddisfa i requisiti essenziali definiti nella Direttiva europea sulla Compatibilità Elettromagnetica **2014/30/UE** (CEM), la Direttiva **2006/42/CE** (Direttiva Macchine), la Direttiva **2011/65/UE** (RoHS) e relativi emendamenti. Per la valutazione di conformità, sono stati consultati i seguenti standard armonizzati europei:

**EN 60745-1:2009+A11:10;**  
**EN 60745-2-21:2009+A1:10;**  
**EK 9-BE-77(V3):2015;**  
**EK 9-BE-88:2014;**  
**EK 9-BE-89:2014;**  
**EK 9-BE-91:2015;**  
**EN 55014-1:2017;**  
**EN 55014-2:2015;**  
**AfPS GS 2019:01 PAK**

Staphorst, 6 luglio 2022

Meinou Seinen, Rappresentante QA  
 Batavia B.V., Weth. Wassebaliestraat 6d,  
 7951 SN Staphorst, Paesi Bassi

Il prodotto e il manuale dell'utente possono essere soggetti a modifiche. I dati tecnici possono essere modificati senza preavviso.

## Estimado cliente:

Familiarícese con el uso adecuado del aparato leyendo todos los capítulos de este manual en el orden en el que se presentan. Conserve estas instrucciones para poder consultarlas con posterioridad.

### ¡Lea el documento «Instrucciones generales de seguridad en materia de herramientas eléctricas» adjunto y todas las instrucciones de seguridad adicionales en estas instrucciones de uso!

Esta manual contiene información importante acerca de cómo operar y manipular el aparato. Conserve estas instrucciones para poder consultarlas con posterioridad. Si le cede el aparato a un tercero, entréguele también este manual.

### ¡La batería y el cargador no se incluyen!

La batería se vende por separado. N.º de artículo de la batería: 7062517 (2 Ah) o 7062518 (4 Ah).

El cargador se vende por separado. N.º de artículo de la batería: 7062519.

Estos artículos están disponibles en línea y en las tiendas autorizadas.

## 1. Explicación de los símbolos

Los símbolos siguientes aparecen en el manual de usuario o en el producto:



*¡Advertencia! Lea el manual de instrucciones para reducir el riesgo de lesiones personales.*



*Indica el riesgo de lesiones personales, muerte o daño de la herramienta en caso de no observar las instrucciones recogidas en este manual.*



*Utilizar gafas de seguridad. Al trabajar con herramientas eléctricas, se pueden generar chispas, astillas y partículas de polvo que pueden causar la pérdida de la visión.*



*Control de velocidad variable.*



*El marcado CE (Conformidad Europea) es indicativo de que se cumple con las normativas de la UE. Con el marcado CE, el*

*fabricante confirma que esta herramienta eléctrica cumple con las directivas europeas aplicables.*



*No deseche las herramientas eléctricas junto a los residuos domésticos.*

## 2. Instrucciones de seguridad adicionales en materia de espirales inalámbricas para desatascar tuberías

- 2.1 Utilice guantes de protección y una mascarilla para protegerse de posibles venenos y contenidos infecciosos en el desagüe.
- 2.2 Utilice guantes resistentes y ajustados, fabricados con tejido revestido que evite el atrapamiento de los guantes en la espiral flexible. El atrapamiento de las manos o los dedos en la espiral flexible puede dar lugar a lesiones graves. Si fuera necesario, utilice guantes de protección fabricados con goma o látex debajo de los guantes fabricados con tejido revestido.
- 2.3 Tenga en cuenta que los productos químicos para limpiar los desagües son cáusticos; así pues, ¡utilice equipo de protección al utilizar la espiral inalámbrica para desatascar tuberías en caso de que dichos productos se hayan utilizado!
- 2.4 No coma, beba ni fume mientras usa la espiral inalámbrica para desatascar tuberías. Una vez realizado el trabajo, lávese las manos y cualquier otra parte del cuerpo que haya entrado en contacto con los contenidos del desagüe u otros contaminantes con jabón y agua tibia antes de comer, beber o fumar. Así, evitará ingerir materiales tóxicos o infecciosos.
- 2.5 El atrapamiento de ropa o guantes en las partes giratorias puede dar lugar a lesiones graves en los dedos, las manos, los brazos y otras partes del cuerpo. Por lo tanto, utilice ropa ajustada y, si fuera necesario, una red para el cabello. No utilice joyas ni prendas

- susceptibles de atrapamiento en la espiral flexible.
- 2.6 No utilice guantes suaves ni trapos para guiar la espiral flexible en movimiento. Un atrapamiento en la espiral flexible puede dar lugar a lesiones graves. Agarre la espiral flexible únicamente con guantes ajustados apropiados. Unos guantes inapropiados podrían quedar atrapados en la espiral flexible dando lugar a lesiones graves.
  - 2.7 Sostenga la herramienta lo más cerca posible de la entrada del desagüe o tubería que desea desatascar para evitar que la espiral flexible se retuerza o forme círculos. Una extensión excesiva de la espiral puede dar lugar a que esta se retuerza y se rompa, lo que entraña el riesgo de lesiones graves. Sujete la herramienta lo más cerca posible del desagüe o la tubería que vaya a desatascar. Si no puede mantener la herramienta cerca de la entrada, utilice una manguera como guía. Si la distancia de extensión es demasiada, la espiral flexible podría retorcerse y romperse.
  - 2.8 Apague inmediatamente la herramienta si la espiral flexible llegara a bloquearse. De lo contrario, la espiral flexible podría sobretensionarse y, en consecuencia, descontrolarse, retorcerse e, incluso, partirse. Lo anterior entraña el riesgo de lesiones graves. Siempre utilice la marcha atrás para liberar la espiral flexible.
  - 2.9 El control de la herramienta y la espiral flexible deben estar a cargo de una sola persona. Si la espiral flexible llegara a bloquearse, el usuario debe ser capaz de detener la herramienta de inmediato, de manera que la espiral flexible no pueda retorcerse ni partirse.
  - 2.10 No utilice la herramienta en marcha atrás. La marcha atrás solo está prevista para liberar la espiral flexible en caso de bloqueo.
  - 2.11 Esta herramienta ha sido diseñada únicamente para desatascar desagües y tuberías. Cualquier otro uso no está permitido.

- 2.12 Revise periódicamente todas las tuercas, pernos y otras sujeciones, apretando cuando sea necesario.

### 3. Antes de usar por primera vez

Saque la herramienta y los accesorios del paquete. Compruebe que la herramienta no haya sufrido ningún daño durante el transporte. En caso de notar algún daño, no la utilice. Mantenga el material de embalaje fuera del alcance de los niños, de manera de evitar cualquier riesgo de asfixia.

### 4. Contenido del paquete

- 1 desatascador de batería
- 1 manual de instrucciones

### 5. Uso previsto

Esta espiral portátil y alimentada por baterías para desatascar tuberías está prevista para eliminar atascos tenaces en desagües y tuberías.

### 6. Ajuste del sentido de rotación

La herramienta está equipada con dos elementos operativos, una palanca de avance/ralentí/marcha atrás y un interruptor del sentido de la rotación.

Para desbloquear un desagüe, utilice la herramienta con la espiral girando en sentido horario. Para hacerlo, posicione el interruptor del sentido del giro **(3)** de modo que el extremo izquierdo marcado con una R sobresalga del aparato. Al poner en marcha la herramienta mediante el interruptor de gatillo **(4)**, la espiral **(1)** gira en sentido horario (vista desde su lado). Al empujar la palanca de avance/ralentí/marcha atrás **(2)** hacia delante, la espiral avanza fuera de la herramienta. Con la palanca en posición de ralentí, la espiral gira, pero no avanza en ninguna dirección. Al tirar de la palanca, la espiral se retrae en el interior de la herramienta.

La marcha atrás de la herramienta se usa para liberar la espiral flexible en caso de bloqueo. Para hacerlo, posicione el interruptor del sentido del giro **(3)** de modo que el extremo derecho marcado con una L sobresalga del aparato. Al poner en marcha la herramienta mediante el interruptor de gatillo **(4)**, la espiral gira en sentido antihora-

rio (vista desde su lado). Al empujar la palanca de avance/ralentí/marcha atrás (2) hacia delante, la espiral flexible se retrae dentro de la herramienta.

Con la palanca en posición de ralentí, la espiral gira, pero no avanza en ninguna dirección. Al tirar de la palanca, la espiral avanza fuera de la herramienta.

## 7. Instrucciones adicionales para desatascar un desagüe

Retire la tapa del desagüe en caso de haberla. Retire también cualquier tubería deslizante adicional del desagüe si la hubiera.

No utilice ropa suelta ni joyas susceptibles de atrapamiento en la espiral flexible. Utilice una red para el cabello si lo tiene largo.

No utilice guantes de trabajo holgados que puedan quedarse atrapados en la espiral. Proteja sus manos con guantes ajustados fabricados con tejido revestido y, si fuera necesario, guantes de goma o látex por debajo de los guantes anteriores.

Siempre sujete la herramienta lo más cerca posible de la entrada de la tubería. Si esto no fuera posible, pase la parte libre de la espiral flexible a través de una sección adecuada de manguera para facilitar su manipulación.

Tenga en cuenta que el contenido de un desagüe puede ser infeccioso y contener productos limpiadores cáusticos. ¡Es imperativo el uso de gafas de seguridad y una mascarilla o un protector facial!

**ADVERTENCIA:** Si el dispositivo no funciona de la manera descrita en este manual, consulte con el Departamento de Servicio al Cliente de Batavia o con un profesional cualificado.

## 8. Lámpara de trabajo

La lámpara de trabajo (7) posibilita la iluminación del área de trabajo durante el uso de la herramienta.

Al presionar el interruptor de gatillo (4), la lámpara de trabajo (7) se enciende. Al soltar el interruptor de la lámpara led, la lámpara de trabajo se apaga al cabo de aproximadamente cinco segundos.

## 9. Limpieza y mantenimiento

**ADVERTENCIA:** Retire la batería antes de realizar cualquier tarea de mantenimiento o limpieza de la herramienta.

### 9.1 Limpieza

- Limpie la espiral flexible con agua tibia y algo de detergente, y déjela extendida hasta que se seque completamente. Una vez seca, aplique una ligera capa de aceite.
- Utilice únicamente un paño húmedo para limpiar la unidad. No utilice abrasivos ni productos químicos agresivos que puedan disolver las piezas de plástico. Mantenga las ranuras de ventilación limpias y libres de obstrucciones en todo momento.
- Mantenga los dispositivos de seguridad, las aberturas de ventilación y la carcasa del motor en el mejor estado de limpieza posible, esto es, deben estar libres de sucio y polvo. Para ello, utilice aire comprimido a baja presión y un paño limpio.
- Le recomendamos limpiar su herramienta eléctrica inmediatamente después de cada uso.
- Limpie la herramienta eléctrica regularmente con un paño humedecido con agua jabonosa (utilice únicamente detergentes suaves).

### 9.2 Mantenimiento

Ninguna parte interna de la herramienta requiere mantenimiento.

## 10. Datos técnicos

Velocidad sin carga . . . . .	0-560 min <sup>-1</sup>
Capacidad de dragado . . . . .	19-50 mm (∅)
Longitud de la espiral flexible . . . . .	7 m
Longitud de trabajo . . . . .	6,8 m
Diámetro de la espiral/ cabeza de la espiral . . . . .	7/12 mm (∅)
Peso de la herramienta (sin batería) . . . . .	3,46 kg
Dimensiones de la herramienta . . . . .	40 × 17 × 20 cm
Nivel de presión sonora (L <sub>PA</sub> ) . . . . .	69,8 dB(A)
Incertidumbre (K <sub>PA</sub> ) . . . . .	3 dB
Nivel de potencia acústica (L <sub>WA</sub> ) . . . . .	80,8 dB(A)
Incertidumbre (K <sub>WA</sub> ) . . . . .	3 dB
Vibración transmitida al sistema mano-brazo . . . . .	2,3 m/s <sup>2</sup>
Incertidumbre K . . . . .	1,5 m/s <sup>2</sup>
Grado de protección IP . . . . .	IP43

## 11. Eliminación



**No deseche las herramientas eléctricas junto a los residuos domésticos.**

El embalaje en el que se envía esta herramienta reduce los daños debidos al transporte. El material de embalaje en cuestión es una materia prima que se puede reutilizar o reciclar. La herramienta eléctrica y sus accesorios están fabricados con diferentes materiales como metales y plástico. Lleve los componentes defectuosos a un punto de recogida de residuos especiales. Puede consultar con el vendedor o su ayuntamiento al respecto. Tanto el producto como el manual de usuario están sujetos a cambios. Los datos técnicos pueden cambiar sin previo aviso.

### 11.1 Baterías

Piense en el medioambiente al desechar las baterías. Póngase en contacto con las autoridades locales para saber dónde se encuentra el punto de recogida más cercano para este tipo de residuos.

No deseche las baterías junto a los residuos domésticos.

No elimine las baterías quemándolas, ya que esto entraña un riesgo de explosión.

## 12. Declaración CE de conformidad

Nosotros, **Batavia B.V., con domicilio social en Weth. Wassebaliestraat 6d, NL-7951 SN Staphorst**, declaramos bajo nuestra propia responsabilidad que la **desatascador de batería, modelo BT-CDA001, n.º de artículo 7063455**, cumple con los requisitos básicos recogidos en la Directiva **2014/30/EU** del Parlamento Europeo y del Consejo en materia de compatibilidad electromagnética (EMC), la Directiva **2006/42/CE** relativa a las máquinas y la Directiva **2011/65/EU** sobre restricciones a la utilización de determinadas sustancias peligrosas en aparatos eléctricos y electrónicos (también conocida como RoHS) y sus enmiendas. Para la evaluación del cumplimiento normativo se consultaron las siguientes normas armonizadas:

**EN 60745-1:2009+A11:10**  
**EN 60745-2-21:2009+A1:10**  
**EK 9-BE-77(V3):2015**  
**EK 9-BE-88:2014**  
**EK 9-BE-89:2014**  
**EK 9-BE-91:2015**  
**EN 55014-1:2017**  
**EN 55014-2:2015**  
**AfPS GS 2019:01 PAK**

Staphorst, 6 de julio de 2022

Meinou Seinen, representante de Aseguramiento de la Calidad de Batavia B.V., Weth. Wassebaliestraat 6d, 7951 SN Staphorst, Países Bajos

Tanto el producto como el manual de usuario están sujetos a cambios. Los datos técnicos pueden cambiar sin previo aviso.

## Estimado cliente

Familiarize-se com a utilização adequada do dispositivo através da leitura e cumprimento de cada capítulo deste manual, pela ordem apresentada. Guarde estas instruções de utilização para consulta futura.

### Leia as "Instruções de segurança gerais para ferramentas elétricas" e todas as instruções de segurança adicionais neste manual!

Este manual contém informações importantes sobre a utilização e manuseamento do dispositivo. Guarde estas instruções de utilização para consulta futura. Entregue-as juntamente com a unidade caso empreste o equipamento a terceiros.

### Bateria e carregador não incluídos!

Bateria disponível separadamente art.º n.º: 7062517 (2 Ah) ou 7062518 (4 Ah).

Carregador disponível separadamente art.º n.º: 7062519.

Estes itens estão disponíveis para venda online e nas lojas de revenda.

## 1. Explicação dos símbolos

O seguintes símbolos são utilizados no manual do utilizador ou no produto:



*Aviso! Para reduzir o risco de lesões, o utilizador deve ler o manual de instruções.*



*Indica risco de lesões corporais, morte ou danos no equipamento no caso de não observância das instruções neste manual.*



*Utilize óculos de proteção. Sempre que se trabalha com ferramentas elétricas, é possível a ocorrência de faíscas, lascas, farpas e partículas de pó, que podem causar perda de visão.*



*Controlo de velocidade variável.*



*"CE" significa "Conformidade Europeia", o que indica "em conformidade com a regulamentação da UE". Com a marcação CE, o fabricante confirma que esta ferramenta*

*elétrica cumpre com as diretivas europeias aplicáveis.*



*Não elimine as ferramentas elétricas juntamente com os resíduos domésticos.*

## 2. Instruções de segurança adicionais para brocas de drenagem sem fios

- 2.1 Utilize óculos de proteção e uma máscara facial para se proteger contra o conteúdo possivelmente venenoso e infeccioso do esgoto.
- 2.2 Utilize luvas justas e resistentes de tecido revestido que não possam ficar presas no eixo flexível. Podem ocorrer lesões graves nas mãos ou dedos se estes ficarem presos no eixo flexível. Se necessário, utilize luvas de proteção de borracha ou látex por baixo das luvas.
- 2.3 Tenha em conta que os líquidos químicos de limpeza de esgotos são cáusticos - utilize equipamento de proteção se estes agentes tiverem sido usados antes da utilização da broca de drenagem!
- 2.4 Não coma, beba nem fume enquanto utiliza a broca de drenagem. Depois do trabalho, limpe as suas mãos e outras partes do corpo que tenham estado em contacto com os conteúdos do esgoto ou outros contaminantes utilizando sabão e água quente antes de comer, beber ou fumar. Desta forma, evitará a ingestão de material tóxico ou infeccioso.
- 2.5 Podem ocorrer lesões graves nos dedos, mãos, braços ou outras partes do corpo se as roupas ou luvas ficarem presas nas peças rotativas. Assim, utilize vestuário justo e, se necessário, uma rede no cabelo. Não utilize joias nem outros itens que possam ficar presos no eixo flexível.
- 2.6 Não utilize luvas macias ou panos para guiar o eixo flexível em rotação. Podem ocorrer lesões graves se estes ficarem enredados no eixo flexível. Segure o eixo flexível apenas com luvas justas e adequadas. As luvas inadequadas

podem ficar presas no eixo flexível e provocar lesões graves.

- 2.7 Segure a máquina o mais próximo possível da entrada do esgoto ou tubo que irá limpar para evitar que o eixo flexível fique torcido ou forme laços. Uma porção excessivamente longa e livre do eixo flexível pode torcer e quebrar, provocando lesões graves. Segure a máquina o mais próximo possível do esgoto ou tubo que irá limpar. Se a máquina não puder ser mantida junto à entrada, utilize um tubo guia. Se a distância for excessiva, pode resultar na torção e quebra do eixo flexível.
- 2.8 Se o eixo flexível ficar bloqueado, pare imediatamente a máquina. Caso contrário, o eixo flexível pode ficar sobrecarregado e perder o controlo, partir ou torcer. Tudo isso pode provocar lesões graves. Utilize sempre a marcha atrás para libertar o eixo flexível.
- 2.9 A máquina e o eixo flexível têm de ser controlados pela mesma pessoa. Se o eixo flexível ficar bloqueado, o utilizador deverá parar imediatamente a máquina, para que o eixo flexível não fique dobrado, torcido ou partido.
- 2.10 Não opere a máquina em marcha atrás. A marcha atrás destina-se apenas a libertar o eixo flexível na eventualidade de este ficar bloqueado.
- 2.11 Esta máquina destina-se apenas à limpeza de esgotos e tubos. Qualquer outra utilização é proibida.
- 2.12 Verifique periodicamente todas as porcas, parafusos e outros acessórios e aperte-os sempre que necessário.

### 3. Antes da primeira utilização

Retire a máquina e os acessórios da embalagem. Verifique se a máquina apresenta danos causados pelo transporte e, se assim for, não a utilize. Mantenha os materiais de embalagem longe do alcance das crianças - risco de asfixia!

### 4. Conteúdo da embalagem

- 1x desentupidor sem fio
- 1x Instruções de funcionamento

### 5. Utilização prevista

Esta broca de drenagem portátil e a bateria destina-se à remoção de bloqueios persistentes em esgotos e tubos.

### 6. Definir a direção de rotação

A máquina está equipada com dois elementos de operação, uma alavanca de marcha em frente/neutro/atrás e um interruptor de direção de rotação.

Para desentupir um esgoto, utilize a máquina na rotação no sentido dos ponteiros do relógio. Para tal, defina o interruptor de direção da rotação **(3)** para a extremidade esquerda assinalada com "R". Quando a máquina é iniciada com o interruptor de gatilho **(4)** o eixo **(1)** gira no sentido dos ponteiros do relógio (visto do seu lado).

Quando empurra a alavanca de marcha em frente/neutro/atrás **(2)** para a frente, o eixo flexível é acionado para a frente, a partir da máquina. Na posição neutra da alavanca, o eixo gira mas não é avançado na direção e quando a alavanca é empurrada para trás, o eixo é retraído na máquina.

A operação da máquina em marcha-atrás (sentido contrário ao dos ponteiros do relógio) é utilizada para libertar um eixo flexível bloqueado. Para tal, defina o interruptor de direção da rotação **(3)** para a extremidade direita assinalada com "L". Quando a máquina é iniciada com o interruptor de gatilho **(4)** o eixo gira no sentido contrário ao dos ponteiros do relógio (visto do seu lado). Quando empurra a alavanca de marcha em frente/neutro/atrás **(2)** para a frente, o eixo flexível é retraído novamente para a máquina.

Na posição neutra da alavanca, o eixo gira mas não é avançado na direção e quando a alavanca é empurrada para trás, o eixo é impulsionado para a frente a partir da máquina.

## 7. Notas adicionais sobre o desentupimento de um esgoto

Remova o sifão, se estiver presente. Também remova qualquer tubagem descendente do esgoto, se presente.

Não utilize roupas largas nem joias que possam ficar presas no eixo flexível. Se tiver cabelo comprido utilize uma rede para o cabelo.

Não utilize luvas de trabalho largas que possam ficar presas no eixo. Proteja as suas mãos com luvas de tecido revestido e justas e, se necessário, utilize luvas de látex ou borracha debaixo destas.

Coloque a máquina o mais perto possível da entrada do tubo. Se tal não for possível, passe a secção livre do eixo através de uma secção adequada de mangueira para manuseamento.

Tenha em conta que o conteúdo de um esgoto é infeccioso e pode conter detergentes de desentupimento à base de soda cáustica. É obrigatório utilizar óculos de segurança e uma proteção bucal ou facial!

**AVISO:** se o dispositivo não funcionar conforme descrito neste manual, contacte o serviço de apoio ao cliente Batavia ou um profissional qualificado.

## 8. Luz de trabalho

A luz de trabalho (7) ilumina a área de trabalho durante a operação.

Quando o interruptor do gatilho (4) é premido, a luz de trabalho (7) acende. Quando o interruptor do gatilho é libertado, a luz de trabalho desliga-se após aproximadamente cinco segundos.

## 9. Limpeza e manutenção

**AVISO:** Retire a bateria antes de realizar qualquer manutenção/limpeza da ferramenta.

### 9.1 Limpeza

- Limpe o eixo flexível com água quente e algum detergente e deixe-o secar totalmente na posição estendida. Depois de seco, lubrifique ligeiramente o eixo flexível.
- Utilize apenas um pano húmido para limpar a unidade. Não utilize químicos agressivos que possam dissolver peças de plástico, ou abrasivos. Mantenha sempre as ranhuras de ventilação limpas e sem obstruções.
- Mantenha os dispositivos de segurança, os orifícios de ventilação e a caixa do motor o mais limpos possível (de sujidade e pó). Limpe a ferramenta elétrica com um pano limpo ou sobre-a com um equipamento de ar comprimido de baixa pressão.
- Recomendamos a limpeza da sua ferramenta elétrica imediatamente após cada utilização.
- Limpe a ferramenta elétrica regularmente com um pano húmido e algum sabão suave.

### 9.2 Manutenção

Não existem quaisquer peças internas que necessitem de manutenção.



## 10. Dados técnicos

Velocidade sem carga . . . . .	0 - 560 min <sup>-1</sup>
Capacidade de dragagem . . . . .	∅ 19 – 50 mm
Comprimento do eixo flexível . . . . .	7 m
Comprimento de funcionamento . . . . .	6,8 m
Diâmetro do eixo/ cabeça do eixo . . . . .	∅ 7/12 mm
Peso do produto sem bateria . . . . .	3,46 kg
Dimensões do produto . . . . .	40 × 17 × 20 cm
Nível de pressão sonora L <sub>PA</sub> . . . . .	69,8 dB(A)
Incerteza K <sub>PA</sub> . . . . .	3 dB
Nível de potência sonora L <sub>WA</sub> . . . . .	80,8 dB(A)
Incerteza K <sub>WA</sub> . . . . .	3 dB
Vibração transm. mão-braço . . . . .	2,3 m/s <sup>2</sup>
Incerteza K . . . . .	1,5 m/s <sup>2</sup>
Classe IP . . . . .	IP43

## 11. Eliminação



*Não elimine as ferramentas elétricas juntamente com os resíduos domésticos.*

Esta ferramenta elétrica é expedida numa embalagem para minimizar os danos de transporte. Esta embalagem é uma matéria-prima e, como tal, pode ser reutilizada ou reintroduzida no respetivo ciclo. Esta ferramenta elétrica e os seus acessórios são feitos de vários materiais, tais como metais e plásticos. Leve as peças defeituosas para um ponto de recolha especial. Coloque as suas questões a este respeito numa loja da especialidade ou autoridade local. O produto e o manual do utilizador podem ser sujeitos a alterações. Os dados técnicos podem ser alterados sem aviso prévio.

### 11.1 Bateria

Pense no ambiente sempre que eliminar baterias. Contacte as autoridades locais para saber a localização da área de eliminação de resíduos mais próxima.

Não elimine as baterias juntamente com os resíduos domésticos.

Não elimine a bateria queimando-a - risco de explosão.

## 12. Declaração de conformidade CE

Nós, **Batavia B.V., Weth. Wassebaliestraat 6d, NL-7951 SN Staphorst**, declaramos sob a nossa responsabilidade que o produto **desentupidor sem fio, Modelo BT-CDA001, Item n.º 7063455** está de acordo com os requisitos básicos definidos nas Diretivas Europeias **2014/30/UE** (relativa à compatibilidade eletromagnética (CEM)), **2006/42/CE** (relativa às máquinas), **2011/65/UE** (relativa à restrição do uso de determinadas substâncias perigosas em equipamentos elétricos e eletrónicos) e respetivas alterações. Para a avaliação de conformidade, foram consultadas as seguintes normas harmonizadas:

**EN 60745-1:2009+A11:10;**  
**EN 60745-2-21:2009+A1:10;**  
**EK 9-BE-77(V3):2015;**  
**EK 9-BE-88:2014;**  
**EK 9-BE-89:2014;**  
**EK 9-BE-91:2015;**  
**EN 55014-1:2017;**  
**EN 55014-2:2015;**  
**AfPS GS 2019:01 PAK**

Staphorst, 6 de julho de 2022

Meino Seinen, QA Representative  
 Batavia B.V., Weth. Wassebaliestraat 6d,  
 7951 SN Staphorst, Países Baixos

O produto e o manual do utilizador podem ser sujeitos a alterações. Os dados técnicos podem ser alterados sem aviso prévio.

## Szanowny Kliencie!

Prosimy o zapoznanie się z prawidłowym użyciu urządzenia poprzez przeczytanie każdego z poniższych rozdziałów instrukcji, w podanej kolejności. Zachować instrukcję obsługi do wykorzystania w przyszłości.

### Prosimy o przeczytanie załączonych „Ogólne wskazówki dotyczące bezpieczeństwa elektronarzędzi” oraz dodatkowych zaleceń bezpieczeństwa zawartych w niniejszej instrukcji obsługi!

Niniejsza instrukcja zawiera najważniejsze informacje dotyczące bezpiecznej obsługi i korzystania z urządzenia. Zachować instrukcję obsługi do wykorzystania w przyszłości. Prosimy o dołączenie instrukcji do urządzenia w przypadku przekazywania urządzenia innej osobie.

### Akumulator i ładowarka nie wchodzi w skład zestawu!

Akumulator sprzedawany jest oddzielnie jako art. nr: 7062517 (2 Ah) lub 7062518 (4 Ah).

Ładowarka sprzedawana jest oddzielnie jako art. nr: 7062519.

Pozycje te są dostępne online oraz w sklepach partnerskich.

## 1. Objaśnienie symboli

W instrukcji obsługi lub na produkcie stosowane są następujące symbole:



**Ostrzeżenie!** W celu zredukowania ryzyka obrażeń użytkownik musi przeczytać instrukcję obsługi.



Wskazuje na zagrożenie zranieniem ciała, utratą życia lub uszkodzeniem narzędzia w przypadku nieprzestrzegania zaleceń zawartych w niniejszej instrukcji.



Nosić okulary ochronne. Podczas pracy z elektronarzędziami może dochodzić do powstawania iskier, odprysków, wiórów oraz cząstek pyłu, które mogą spowodować utratę wzroku.



Bezstopniowa regulacja prędkości.

**CE** jest skrótem od „Conformité Européenne”, co oznacza „Zgodne z przepisami UE”. Za pomocą znaku CE producent potwierdza, że niniejsze elektronarzędzie spełnia wymagania obowiązujących dyrektyw UE.



Nie należy utylizować elektronarzędzi z odpadami domowymi.

## 2. Dodatkowe środki ostrożności dotyczące bezprzewodowych spiral do udrażniania rur

- 2.1 Nosić okulary ochronne i maskę na twarz, aby chronić się przed potencjalnie trującą i szkodliwą zawartością odpływu.
- 2.2 Nosić ściśle przylegające, pełne rękawice wykonane z tkaniny powlekannej, które nie są podatne na przytrzaśnięcie przez elastyczną spiralę. Wciągnięcie dłoni lub palców do elastycznej spirali może spowodować poważne obrażenia. W razie potrzeby pod rękawice założyć rękawice ochronne z gumy lub lateksu.
- 2.3 Należy pamiętać, że chemiczne środki do czyszczenia odpływów są żrące. Stosować sprzęt ochrony osobistej, jeśli takie środki były używane przed użyciem spirali udrażniającej!
- 2.4 Nie jeść, nie pić ani nie palić podczas obsługi spirali udrażniającej. Po pracy – przed jedzeniem, piciem lub paleniem – umyć ręce i inne części ciała, które miały kontakt z zawartością odpływu lub innymi zanieczyszczeniami, używając mydła i ciepłej wody. Pozwoli to uniknąć zagrożeń wynikających z kontaktu z materiałem toksycznym lub szkodliwym.
- 2.5 Wciągnięcie ubrania lub rękawic w obracające się części może spowodować poważne obrażenia palców, dłoni, ramion lub innych części ciała. Dlatego należy nosić dobrze przylegającą odzież i (w razie potrzeby) siatkę na włosy. Nie nosić biżuterii ani innych

- przedmiotów, które mogą zostać wciągnięte w elastyczną spiralę.
- 2.6 Nie używać miękkich rękawic ani szmat do podawania obracającej się spirali elastycznej. Wkręcenie ich w elastyczną spiralę może spowodować poważne obrażenia. Elastyczną spiralę należy chwycić wyłącznie za pomocą odpowiednich, ciasno przylegających rękawic. Nieodpowiednie rękawice mogą zostać pochwycone przez elastyczną spiralę i spowodować poważne obrażenia.
- 2.7 Maszynę trzymać jak najbliżej wlotu odpływu lub rury, która jest udrażniana, aby uniknąć skręcania się elastycznej spirali lub tworzenia pętli. Nadmierne długi wolny kawałek elastycznej spirali może skrócić się i pęknąć, powodując poważne obrażenia. Trzymać maszynę jak najbliżej odpływu lub rury, która jest udrażniana. Jeśli maszyny nie można trzymać blisko wejścia do rury, użyć węża prowadzącego. Jeśli odległość jest zbyt duża, może to spowodować skręcenie i pęknięcie elastycznej spirali.
- 2.8 W przypadku zablokowania elastycznej spirali należy natychmiast zatrzymać maszynę. W przeciwnym razie elastyczna spirala może zostać przecięta i wymknąć się spod kontroli, pęknąć lub skrócić. Może to spowodować poważne obrażenia. Aby uwolnić elastyczną spiralę, używać biegu wstecznego.
- 2.9 Maszyna i elastyczna spirala muszą być kontrolowane przez tę samą osobę. W przypadku zablokowania elastycznej spirali, operator musi mieć możliwość natychmiastowego zatrzymania maszyny, aby uniknąć załamania, złamania lub skręcenia elastycznej spirali.
- 2.10 Nie używać maszyny na biegu wstecznym. Bieg wsteczny służy jedynie do uwolnienia elastycznej spirali w przypadku jej zablokowania.
- 2.11 Urządzenie jest przeznaczone wyłącznie do czyszczenia kanalizacji i rur. Wszelkie inne zastosowania są zabronione.
- 2.12 Okresowo sprawdzać wszystkie nakrętki, śruby oraz pozostałe elementy złączne i dokręcić je, kiedy to konieczne.

### 3. Przed pierwszym użyciem

Wyjąć urządzenie oraz akcesoria z opakowania. Sprawdzić urządzenie pod kątem uszkodzeń w czasie transportu i w razie uszkodzeń nie używać urządzenia. Opakowania chronić przed dziećmi, ryzyko uduszenia!

### 4. Zawartość opakowania

1 × przepychacz do rur akumulatorowa  
1 × instrukcja obsługi

### 5. Przeznaczenie

Przenośna, zasilana akumulatorowo spirala do rur jest przeznaczona do usuwania uprzączywych zatorów w odpływach i rurach.

### 6. Ustawianie kierunku obrotów

Urządzenie wyposażone jest w dwa elementy sterujące, dźwignię biegów do przodu/neutralny/wstecz oraz przełącznik kierunku obrotów.

Aby odblokować odpływ, wybrać ustawienie obrotu spirali w kierunku zgodnym z ruchem wskazówek zegara. W tym celu należy ustawić przełącznik kierunku obrotów **(3)** tak, aby lewy koniec oznaczony literą R wystawał z maszyny. Po uruchomieniu maszyny za pomocą przełącznika wyzwalającego **(4)** spirala **(1)** obraca się zgodnie z ruchem wskazówek zegara (z perspektywy operatora). Po ustawieniu dźwigni biegów do przodu/neutralny/wstecz **(2)** w położenie „do przodu” spirala elastyczna jest wysuwana z maszyny do przodu. W położeniu neutralnym dźwigni spirala obraca się, ale nie jest podawana w żadnym kierunku, a po cofnięciu dźwigni spirala cofa się do urządzenia.

Odwrotnie (przeciwny do ruchu wskazówek zegara) kierunek obrotu spirali służy do uwalniania zablokowanej spirali. W tym celu należy ustawić przełącznik kierunku obrotów **(3)** tak, aby prawy koniec oznaczony literą L wystawał z maszyny. Po uruchomieniu urządzenia za pomocą przełącznika wyzwalającego **(4)** spirala obraca się prze-

ciwnie do ruchu wskazówek zegara (z perspektywy operatora). Po ustawieniu dźwigni biegów do przodu/neutralny/wstecz (2) w położeniu „do przodu” spirala elastyczna jest wsuwana do wnętrza maszyny.

W położeniu neutralnym dźwigni spirala obraca się, ale nie jest podawana w żadnym kierunku, a po cofnięciu dźwigni spirala będzie wysuwana z urządzenia.

## 7. Dalsze uwagi dotyczące odblokowania odpływu

Wyjąć syfon kanalizacyjny, jeśli jest zainstalowany. Zdemontować również elastyczne rury odpływowe, jeśli są zamontowane.

Nie nosić luźnej odzieży lub biżuterii, które mogą zostać wciągnięte w elastyczną spiralę. W przypadku długich włosów, należy założyć siatkę na włosy.

Nie używać luźnych rękawic roboczych, które mogą zostać wciągnięte przez spiralę. Chronić ręce za pomocą ściśle przylegających rękawic z powlekanej tkaniny, a jeśli to konieczne, założyć pod nie rękawice lateksowe lub gumowe.

Zawsze umieszczać urządzenie jak najbliżej wejścia do rury. Jeśli nie jest to możliwe, umieścić wolną część spirali w odpowiednim odcinku węża prowadzącego.

Należy pamiętać, że zawartość odpływu jest szkodliwa i może zawierać żrące środki do czyszczenia odpływów. Noszenie okularów ochronnych i ochrony ust lub twarzy jest obowiązkowe!

**OSTRZEŻENIE:** Jeśli urządzenie nie działa zgodnie z opisem w niniejszej instrukcji, należy zwrócić się do obsługi klienta Bata via lub do kompetentnego specjalisty.

## 8. Światło robocze

Lampka robocza (7) oświetla obszar roboczy podczas pracy.

Lampka robocza (7) włączy się po naciśnięciu przełącznika wyzwalającego (4). Po zwolnieniu spustu lampka robocza przestanie świecić – po około pięciu sekundach.

## 9. Czyszczenie i konserwacja

**OSTRZEŻENIE:** Przed wykonaniem jakiegokolwiek konserwacji/czyszczenia narzędzia zdemontować akumulator.

### 9.1 Czyszczenie

- Elastyczną spiralę wyczyścić ciepłą wodą z niewielką ilością detergentu i pozostawić do całkowitego wyschnięcia w stanie rozprostowanym. Po wyschnięciu lekko naoliwić spiralę.
- Urządzenie czyścić wyłącznie wilgotną szmatką. Nie wolno stosować agresywnych środków chemicznych, które mogą rozpuścić części z tworzywa sztucznego. Nie stosować środków ściernych. Otwory wentylacyjne należy utrzymywać w czystości i zadbać, aby były drożne.
- W miarę możliwości należy chronić wszystkie rozwiązania zabezpieczające, otwory wentylacyjne i obudowę silnika przed zanieczyszczeniami i pyłem. Wytrzeć elektronarzędzie czystą ściereczką lub przedmuchać sprężonym powietrzem o niskim ciśnieniu.
- Zalecamy czyszczenie narzędzia z napędem elektrycznym natychmiast po każdym użyciu.
- Regularnie czyścić elektronarzędzie wilgotną szmatką i niewielką ilością delikatnego mydła.

### 9.2 Konserwacja

W urządzeniu nie ma elementów wewnętrznych wymagających konserwacji.

## 10. Dane techniczne

Prędkość obrotowa  
biegu jałowego: . . . . . 0–560 min<sup>-1</sup>  
Zdolność udrażniania rur: . . . . .  $\varnothing$  19–50 mm  
Długość spirali elastycznej: . . . . . 7 m  
Długość robocza: . . . . . 6,8 m  
Średnica spirali / głowicy spirali:  
. . . . .  $\varnothing$  7/12 mm  
Ciężar (bez akumulatora): . . . . . 3,46 kg  
Wymiary: . . . . . 40 x 17 x 20 cm  
Poziom ciśnienia akustycznego L<sub>PA</sub>:  
. . . . . 69,8 dB (A)  
Niepewność K<sub>PA</sub> . . . . . 3 dB  
Poziom mocy akustycznej L<sub>WA</sub> . . . . . 80,8 dB (A)  
Niepewność K<sub>WA</sub> . . . . . 3 dB  
Drgania ręki/ramienia . . . . . 2,3 m/s<sup>2</sup>  
Niepewność K . . . . . 1,5 m/s<sup>2</sup>  
Klasa ochrony . . . . . IP43

## 11. Utylizacja



*Nie należy utylizować  
elektronarzędzi z odpadami  
domowymi.*

Narzędzie z napędem elektrycznym jest dostarczane w opakowaniu celem zredukowania uszkodzeń w czasie transportu. Opakowanie jest surowcem i jako takie może zostać ponownie użyte lub ponownie przetworzone. Narzędzie z napędem elektrycznym i jego akcesoria wykonane są z różnych materiałów, takich jak metale i tworzywa sztuczne. Uszkodzone elementy należy przekazać do specjalnych punktów gromadzenia odpadów. Informacje o nich można uzyskać w sklepie lub u władz lokalnych. Produkt i instrukcja obsługi mogą ulec zmianie. Dane techniczne mogą zostać zmienione bez wcześniejszego powiadomienia.

### 11.1 Akumulatory

Podczas utylizacji akumulatorów brać pod uwagę środowisko naturalne. Aby uzyskać informacje na temat najbliższego punktu zbiórki odpadów, należy skontaktować się z jednostką władz samorządowych.

Nie należy utylizować akumulatorów z odpadami domowymi.

Nie należy utylizować akumulatorów przez spalanie, może to prowadzić do wybuchu.

## 12. Deklaracja zgodności z wymogami UE

Firma **Batavia B.V., Weth. Wassebaliestraat 6d, NL-7951 SN Staphorst**, oświadcza na własną odpowiedzialność, że produkt **przeprychacz do rur akumulatorowa, model BT-CDA001, pozycja nr 7063455** jest zgodny z podstawowymi wymaganiami, które zostały zdefiniowane w dyrektywach Parlamentu Europejskiego i Rady: dotyczącej kompatybilności elektromagnetycznej **2014/30/UE (EMC), 2006/42/WE (maszynowej), 2011/65/UE (RoHS)** oraz poprawkach do nich. W celu oceny zgodności zastosowane zostały następujące normy zharmonizowane:

**EN 60745-1:2009+A11:10;**  
**EN 60745-2-21:2009+A1:10;**  
**EK 9-BE-77(V3):2015;**  
**EK 9-BE-88:2014;**  
**EK 9-BE-89:2014;**  
**EK 9-BE-91:2015;**  
**EN 55014-1:2017;**  
**EN 55014-2:2015;**  
**AfPS GS 2019:01 PAK**

Staphorst, 6 lipca 2022 r.

Meino Seinen, Przedstawiciel ds. QA  
Batavia B.V., Weth. Wassebaliestraat 6d,  
7951 SN Staphorst, Holandia

Produkt i instrukcja obsługi mogą ulec zmianie. Dane techniczne mogą zostać zmienione bez wcześniejszego powiadomienia.

# ONE BATTERY FOR ALL TOOLS

## MAXPACK 18 V

18 V Cordless collection



# BATAVIA

## 2 YEAR WARRANTY

### **This product has got a 2 year warranty**

Dear Client, if for any reason this product is not working, please ensure you contact our Client Service Centre. Ensure you have your original receipt of purchase. This warranty covers all defects in workmanship or materials in this Batavia product for a two year period from the date of purchase. The warranty does not cover any malfunction, or defect resulting from misuse, neglect, alteration, or repair.

### **Dieses Produkt hat 2 Jahre Garantie**

Sehr geehrter Kunde, unsere Produkte unterliegen einer strengen Qualitätskontrolle. Sollte dieses Gerät nicht einwandfrei sein, so wenden Sie sich bitte immer zuerst an unseren Kunden-Service. Bitte bewahren Sie unbedingt den Kaufbeleg auf. Die Garantieleistung gilt nur für Material-oder Fabrikationsfehler. Ausgeschlossen sind Mängel die durch häufigen Gebrauch, missbräuchlicher und unsachgemäßer Behandlung oder Gewalteinwirkung verursacht worden sind.


### **Ce produit a 2 ans de garantie**

Cher client, Si pour une raison quelconque, ce produit ne fonctionne pas, veuillez contacter notre Centre de service après-vente. Conservez le bon d'achat original. Cette garantie couvre tous les défauts de matériau et de main d'œuvre constatés sur ce produit Batavia pendant une période de deux ans à compter de la date d'achat. Les défauts de fonctionnement et autres résultant d'abus ou de mauvais emploi, de négligence, de modifications ou réparations non autorisées sont exclus de la garantie.

### **Dit product heeft 2 jaar garantie**

Geachte klant, onze producten ondergaan een streng kwaliteitscontrole proces. Wanneer dit product niet correct functioneert, wend u zich alstublieft altijd eerst tot onze klantenservice. Bewaar altijd uw aankoopbewijs. De garantieservice is alleen van toepassing op materiaal- of productiefouten. Uitgesloten zijn gebreken veroorzaakt door intensief gebruik, misbruik en incorrecte behandeling of extern geweld.

**Deutschland – Kundenservice** – Montag bis Freitag von 9 bis 17 Uhr

 **01805 937 832\***

**Other European countries – Customer Services /  
Autres pays d'Europe – Service clientèle /  
Overige landen Europa – Klantenservice**

Monday till Friday from 8 am until 4 pm / Lundi jusqu'à Vendredi  
de 9 – 17 heure / Maandag t/m vrijdag van 9 tot 17 uur

 **00800 664 774 00**



\*Nur €0,14 /Minute aus dem dt. Festnetz,  
max. €0,42/Minute aus den Mobilfunknetzen

**Model: BT-CDA001  
Item-No.: 7063455  
www.bataviapower.com  
info@batavia.eu**

# BATAVIA

## 2 YEAR WARRANTY

### Questo prodotto è garantito per 2 anni

Gentile Cliente, se per una qualche ragione il prodotto non funziona, La invitiamo a mettersi in contatto con il nostro Centro Assistenza Clienti. Si accerti di avere la ricevuta originale dell'acquisto. La garanzia copre tutti i difetti di fabbricazione o di materiale in questo prodotto Batavia per un periodo di 2 anni dalla data di acquisto. La garanzia non copre malfunzionamenti o difetti derivanti da uso inappropriato, improprio, da modifiche o riparazioni.

### Este producto tiene dos años de garantía

Estimado cliente: si por cualquier razón este producto no funciona, póngase en contacto con nuestro Centro de Atención al Cliente. Asegúrese de tener a mano la factura de compra original. Esta garantía cubre todos los defectos de mano de obra o materiales de este producto de Batavia por un periodo de dos años a partir de la fecha de compra. La garantía no cubre ningún mal funcionamiento o defectos resultantes del mal uso, negligencia, alteración o reparación.


### Este produto tem uma garantia de 2 anos

Estimado Cliente, se, por qualquer motivo, este produto não estiver a funcionar devidamente, contacte o nosso Centro de Apoio ao Cliente. Certifique-se de que possui a prova de compra original. Esta garantia cobre todos os defeitos de fabrico ou materiais do produto Batavia durante um período de dois anos, a contar da data de compra. A garantia não cobre quaisquer avarias ou defeitos resultantes de um uso indevido, negligência, modificações ou reparações.

### Produkt posiada 2-letnią gwarancję.


Szanowny Kliencie! Jeśli z jakiegokolwiek powodu niniejszy produkt nie działa, prosimy skontaktować się z naszym Centrum obsługi serwisowej. Upewnij się, że posiadasz oryginalny dowód zakupu. Niniejsza gwarancja obejmuje wszystkie wady produkcyjne i materiałowe w produktach Batavia przez okres dwóch lat od daty zakupu. Gwarancja nie obejmuje żadnych usterek lub uszkodzeń wynikających z nieprawidłowego użycia, zaniedbania, modyfikacji lub naprawy.

**Deutschland – Kundenservice** – Montag bis Freitag von 9 bis 17 Uhr

 **01805 937 832\***

**Other European countries – Customer Services /  
Autres pays d'Europe – Service clientèle /  
Overige landen Europa – Klantenservice**

Monday till Friday from 8 am until 4 pm / Lundi jusqu'à Vendredi  
de 9 – 17 heure / Maandag t/m vrijdag van 9 tot 17 uur

 **00800 664 774 00**



\*Nur €0,14 /Minute aus dem dt. Festnetz,  
max. €0,42/Minute aus den Mobilfunknetzen

**Model: BT-CDA001**  
**Item-No.: 7063455**  
[www.bataviapower.com](http://www.bataviapower.com)  
[info@batavia.eu](mailto:info@batavia.eu)