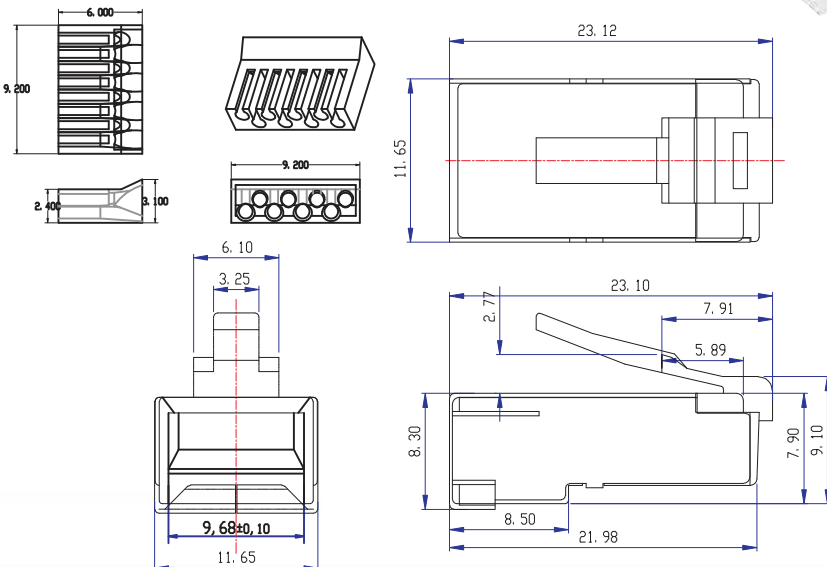
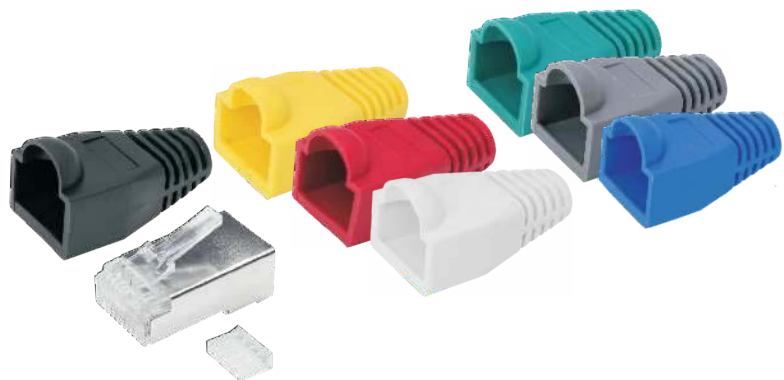


25pcs RJ-45 Modular Plug Connector Set 8P8C, CAT. 6



- 1906C165 - Black
- 1906C166 - Grey
- 1906C167 - Green
- 1906C168 - Blue
- 1906C169 - Yellow
- 1906C170 - Red
- 1906C171 - White



Technical:
 250 V/AC max. at 2 amp.
 Dielectric with standing 500 V/AC
 Insulation resistance: 500Mohm
 Termination resistance: 35 Mohm
 Mechanical:
 Cable-to-Plug tensile strength: 20LBs (89N) min.
 Durability: 500 mating cycles

