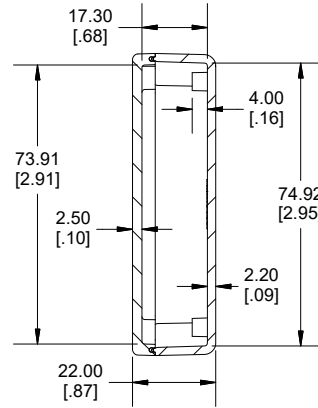
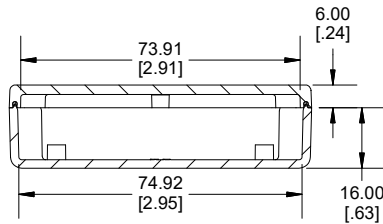


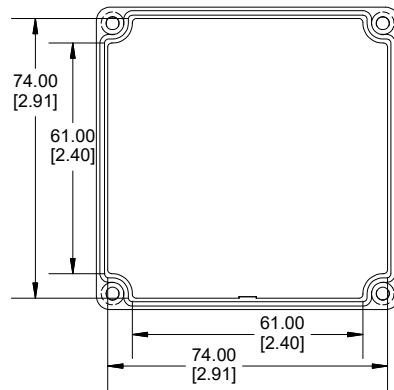
TOP VIEW



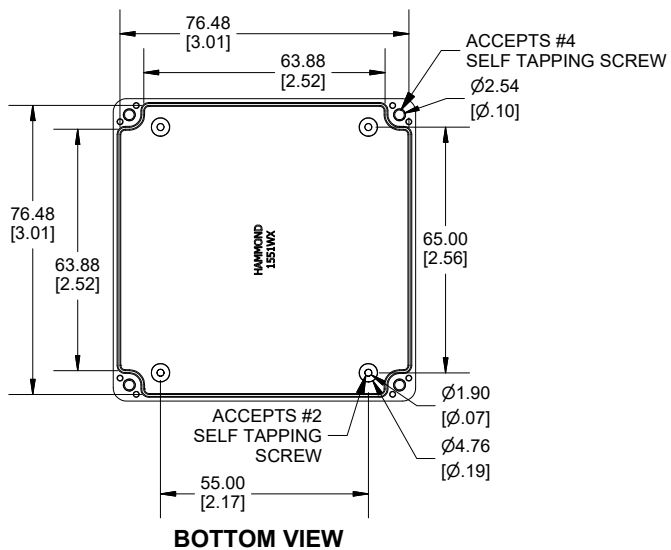
SECTION A-A  
END VIEW



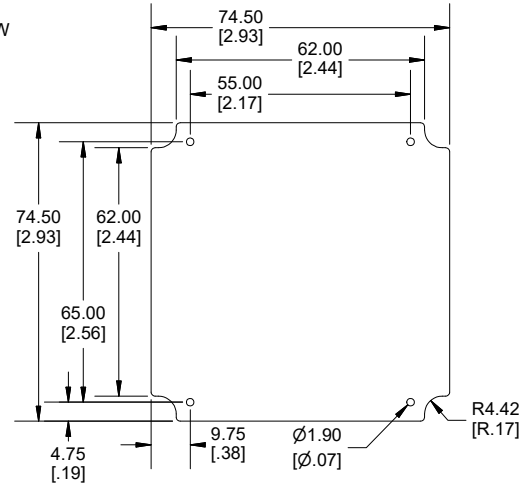
SECTION B-B  
SIDE VIEW



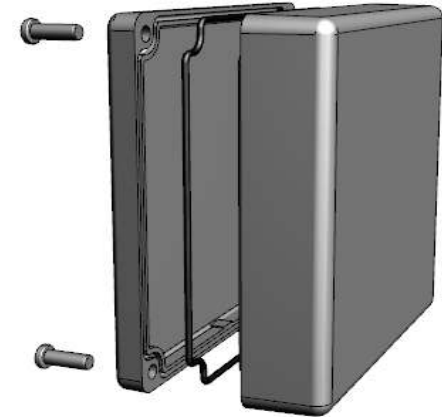
INSIDE LID



BOTTOM VIEW



MAXIMUM  
P. C. BOARD



Enclosures can be Factory Modified (Milling, Drilling, Printing etc.)  
 Contact Factory (modshop@hammfg.com) for quotes  
 Solid models of this enclosure available in .stp or .x\_t  
 (Part number and text placement/orientation on our products are subject to change,  
 we do not recommend using them as a locating reference for modification purposes)

| NOTE   |                      |
|--|----------------------|
| Purchased assembly includes box, lid, gasket, 4 cover screws.<br>Polycarbonate material is rated UL94 - V0 |                      |
| Recommended Torque : #4 Cover screw (71-100) Ozf.in / (50-70) cN.m   |                      |
| Recommended Torque : #2 Internal screws (21-28) Ozf.in / (15-20) cN.m                                      |                      |
| PART NUMBERS   |                      |
| 1551WX Enclosure   |                      |
| Polycarbonate Black Enclosure  | 1551WXBK             |
| Polycarbonate Gray Enclosure   | 1551WXGY             |
| ACCESSORIES  |                      |
| Internal Mounting Post Screw<br>[#2 x 3/16" Plastite Self-tapping (4.8mm)]                                 | 1553WTS100 (Pkg 100) |
| Stainless Steel Cover Screws<br>[#4 X 3/8" Plastite Self-tapping (9.5mm)]                                  | SC509-50 (Pkg 50)    |

Dimensions:  
mm  
[inches]



**HAMMOND  
MANUFACTURING®**  
1551WX  
www.hammondmfg.com