

BATAVIA

MAXXPACK 18V

Nexxsaw | Compact cordless chainsaw

Kompakte Akku-Kettensäge

Tronçonneuse compacte sans fil

Compacte accu kettingzaag

Motosega compatta a batteria

Motosierra compacta de batería

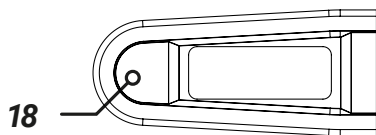
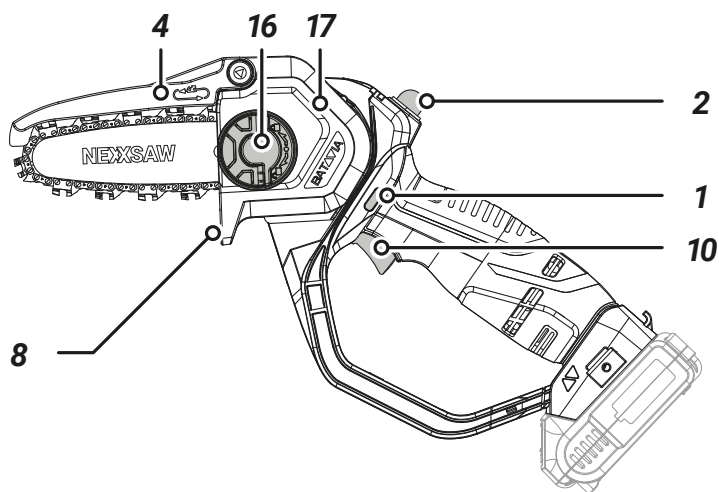
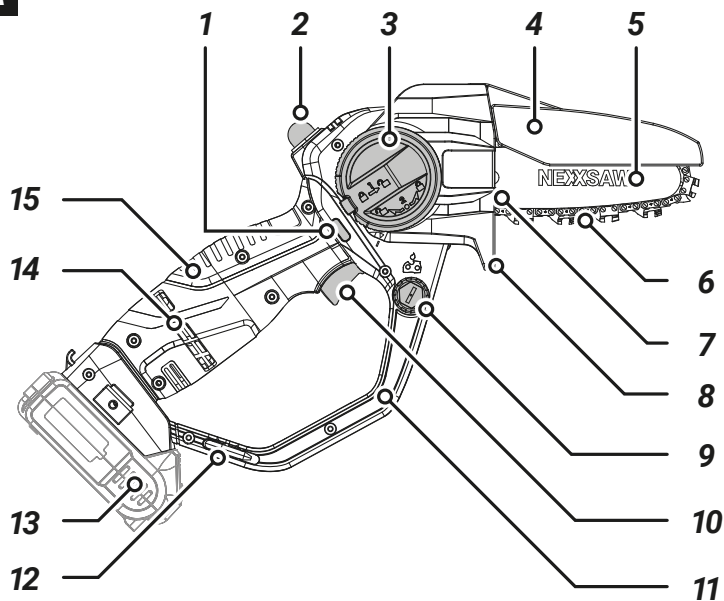
Motosserra compacta sem fio

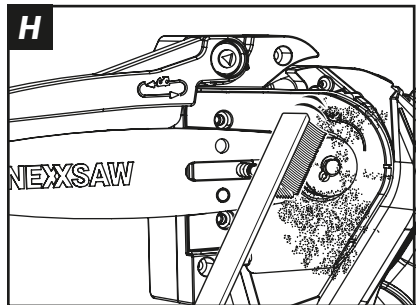
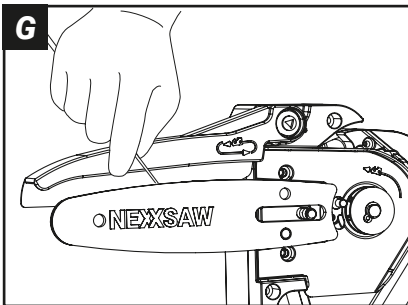
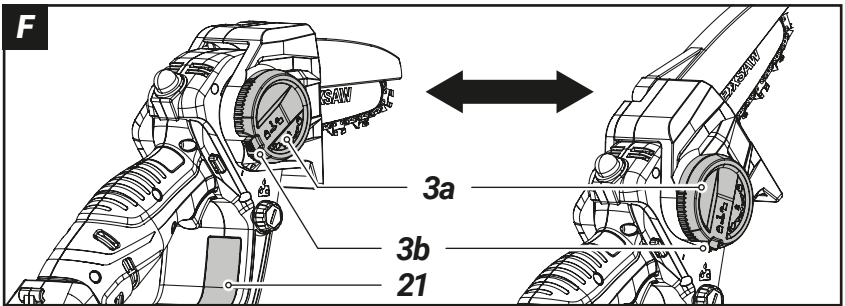
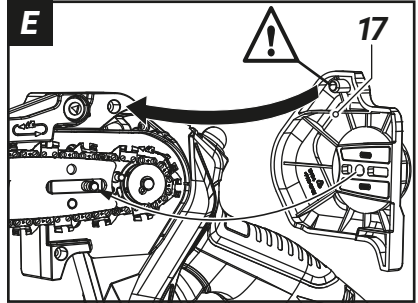
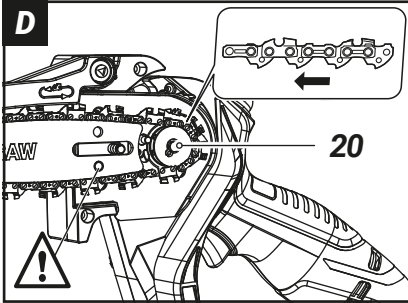
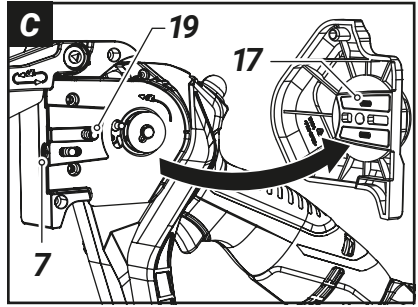
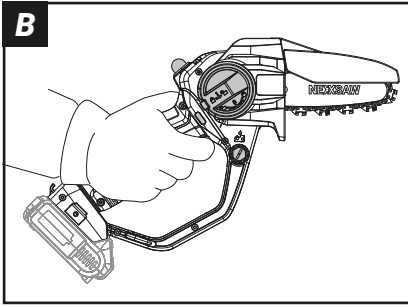
Kompaktowa pila łańcuchowa akumulatorowa



Operating instructions
Bedienungsanleitung (Original)
Mode d'emploi
Gebruiksaanwijzing
Istruzioni di Funzionamento
Manual de usuario
Instruções de funcionamento
Instrukcja

Model: BT-NXS005
Item-No.: 7064322
www.bataviapower.com

A



Overview

1. Safety switch (power lock-off)
2. Oil supply button
3. Knob for adjusting saw head
4. Protection cover
5. Guide bar
6. Saw chain
7. Chain adjusting screw
8. Base plate
9. Oil reservoir cap
10. ON/OFF Switch
11. Hand guard
12. Adjustment key
13. Battery **(not included)**
14. Ventilation slots
15. Handgrip
16. Head screw
17. Sprocket cover
18. Guide bar cover
19. Chain adjusting screw pin (see **Fig. C**)
20. Sprocket (see **Fig. D**)
21. Oil inspection window

Übersicht

1. Sicherheitsschalter (Einschaltsperr)
2. Ölversorgungstaste
3. Einstellknopf des Sägekopfes
4. Schutzabdeckung
5. Schwert
6. Sägekette
7. Feststellschraube
8. Anschlagplatte
9. Deckel des Ölbehälters
10. EIN/AUS-Schalter
11. Handschutz
12. Einstellschlüssel
13. Akku **(nicht enthalten)**
14. Ventilationsöffnungen
15. Handgriff
16. Rändelschraube
17. Abdeckung
18. Schwertschutz
19. Feststellschraube Stift (Siehe **Abb. C**)
20. Kettenrad (Siehe **Abb. D**)
21. Ölstandsfenster

Aperçu

1. Interrupteur de sécurité
2. Bouton d'alimentation en huile
3. Molette de réglage de la tête de coupe
4. Capot de protection
5. Guide-chaîne
6. Chaîne
7. Vis de réglage de la chaîne
8. Socle
9. Bouchon du réservoir d'huile
10. Levier de commutateur marche/arrêt principal
11. Garde de la main
12. Clé de réglage fournie
13. Batterie **(non compris)**
14. Ouvertures de ventilation
15. Surface de prise
16. Vis à tête
17. Couvercle de pignon
18. Cache de protection du guide-chaîne
19. Épingle de vis de réglage de la chaîne (voir **figure C**)
20. Pignon (voir **figure D**)
21. Fenêtre d'inspection d'huile

Overzicht

1. Veiligheidsschakelaar
2. Olie toevoer knop
3. Knop voor verstellen zaagkop
4. Beschermerkap
5. Zaagblad
6. Zaagketting
7. Kettingstelschroef
8. Grondplaat
9. Dop van oliereservoir
10. Hoofd-aan/uit-schakelaar
11. Handbeschermer
12. Stelsleutel
13. Accu **(niet inbegrepen)**
14. Ventilatiesleuven
15. Handgreep
16. Vleugelmoer
17. Kettingwielkap
18. Zaagbladbeschermer
19. Kettingstelschroef pin (zie **Fig. C**)
20. Kettingwiel (zie **Fig. D**)
21. Olie-peilvenster

Panoramica

1. Interruttore di sicurezza (blocco dell'alimentazione)
2. Pulsante di alimentazione dell'olio
3. Manopola di regolazione della testa della sega
4. Copertura di protezione
5. Barra guida
6. Catena della sega
7. Vite di regolazione della catena
8. Piastra di base
9. Tappo del serbatoio dell'olio
10. Interruttore accensione/spagnimento
11. Copertura di sicurezza
12. Chiave di regolazione
13. Batteria **(non inclusa)**
14. Prese di aerazione
15. Impugnatura
16. Vite zigrinata
17. Copertura dell'ingranaggio
18. Copertura della barra guida
19. Perno della vite di regolazione della catena (vedere **Fig. C**)
20. Ingranaggio (vedere **Fig. D**)
21. Finestra di ispezione dell'olio

Resumen

1. Interruptor de seguridad (bloqueo de la alimentación)
2. Botón de suministro de aceite
3. Botón giratorio para ajustar el cabezal de la sierra
4. Cubierta de protección
5. Espada
6. Cadena cortante
7. Tornillo de ajuste de la cadena
8. Placa de base
9. Tapa del depósito de aceite
10. Interruptor de encendido/apagado
11. Guardamano
12. Llave de ajuste
13. Batería **(no incluida)**
14. Ranuras de ventilación
15. Empuñadura
16. Tornillo de cierre/apertura
17. Tapa del piñón
18. Cubierta de la espada
19. Varilla del tornillo de ajuste de la cadena (consultar la **figura C**)
20. Piñón (consultar la **figura D**)
21. Ventana de inspección de aceite

Visão geral

1. Interruptor de segurança (bloqueio de alimentação)
2. Botão de abastecimento de óleo
3. Botão de ajuste da cabeça da serra
4. Cobertura de proteção
5. Barra guia
6. Corrente da serra
7. Parafuso de ajuste da corrente
8. Chapa de base
9. Tampa do reservatório de óleo
10. Interruptor de ligar/desligar
11. Guarda de mão
12. Chave de ajuste
13. Bateria **(não incluída)**
14. Orifícios de ventilação
15. Punho
16. Parafuso da cabeça
17. Tampa da roda dentada
18. Tampa da barra guia
19. Pino do parafuso de ajuste da corrente (ver **Fig. C**)
20. Roda dentada (ver **Fig. D**)
21. Janela de inspeção de óleo

Przegląd

1. Wyłącznik bezpieczeństwa (blokada zasilania)
2. Przycisk podawania oleju
3. Pokrętko regulacji głowicy piły
4. Osłona
5. Prowadnica
6. Łańcuch piły
7. Śruba regulacji łańcucha
8. Płyta podstawy
9. Korek zbiornika oleju
10. Włącznik/wyłącznik
11. Osłona rąk
12. Klucz
13. Akumulator **(nie wchodzi w skład zestawu)**
14. Otwory wentylacyjne
15. Uchwyt
16. Śruba radełkowa
17. Pokrywa koła zębatego
18. Pokrywa prowadnicy
19. Sworzeń śruby regulacyjnej łańcucha (patrz **rys. C**)
20. Koło zębate (patrz **rys. D**)
21. Wziernik oleju

Contents

1. Explanation of the symbols	6
2. Additional safety instructions for Nexxsaw	6
3. Safety instructions for multi saws	7
4. Causes and operator prevention of kickback	8
5. Before the first use	8
6. Contents of packing	8
7. Intended use	9
8. Use	9
9. Maintenance, cleaning and storing	11
10. Technical data	12
11. Accessories – optionally available	12
12. Disposal	12
13. EC-Declaration of conformity	13
14. UK Declaration of Conformity	13

Inhaltsverzeichnis

1. Erläuterung der Symbole	14
2. Zusätzliche Sicherheitshinweise für Nexxsaw	14
3. Sicherheitshinweise für Multi Sägen	15
4. Ursachen und Vermeidung eines Rückschlags	16
5. Vor der ersten Benutzung	17
6. Verpackungsinhalt	17
7. Bestimmungsgemäßer Gebrauch	17
8. Bedienung	17
9. Wartung, Reinigung und Lagerung	20
10. Technische Daten	20
11. Zubehör – optional erhältlich	21
12. Entsorgung	21
13. EG-Konformitätserklärung	21

Table des matières

1. Explication des symboles	22
2. Consignes de sécurité supplémentaires concernant la tronçonneuse Nexxsaw	22
3. Consignes de sécurité concernant la chaîne de tronçonneuse	23
4. Causes et prévention des risques de rebond par l'opérateur	24
5. Avant la première utilisation	25
6. Contenus de l'emballage	25
7. Utilisation prévue	25
8. Utilisation	25
9. Entretien, nettoyage et rangement	28
10. Caractéristiques techniques	28
11. Accessoires – disponibles en option	29
12. Élimination et recyclage	29
13. CE-Déclaration de conformité	29

Inhoudsopgave

1. Uitleg van de symbolen	30
2. Aanvullende veiligheidsinstructies voor de Nexxsaw	30
3. Veiligheidsinstructies voor kettingzagen	31
4. Oorzaken en voorkomen van terugslag	32
5. Voor het eerste gebruik	33
6. Inhoud van de verpakking	33
7. Beoogd gebruik	33
8. Bediening	33
9. Onderhoud, reiniging en opslag	36
10. Technische gegevens:	36
11. Accessoires – optioneel verkrijgbaar	37
12. Afvalverwerking en hergebruik	37
13. EG-Conformiteitsverklaring	37

Contenuto

1. Spiegazione dei simboli	38
2. Ulteriori istruzioni di sicurezza per l'uso della sega Nexxsaw	38
3. Istruzioni di sicurezza per le seghe multifunzione	39
4. Cause e prevenzione dei contraccolpi da parte dell'utente	40
5. Operazioni preliminari al primo uso del prodotto	41
6. Contenuto della confezione	41
7. Destinazione d'uso	41
8. Uso	41
9. Manutenzione, pulizia e conservazione.	44
10. Dati tecnici	44
11. Accessori – opzioni disponibili	45
12. Smaltimento	45
13. Dichiarazione di conformità CE	45

Índice

1. Explicación de los símbolos.	46
2. Instrucciones de seguridad adicionales relativas a las sierras Nexxsaw	46
3. Instrucciones de seguridad en materia de multisierras	47
4. Causas del rebote y su prevención por parte del usuario	48
5. Antes de usar por primera vez	49
6. Contenido del paquete	49
7. Uso previsto	49
8. Uso	49
9. Mantenimiento, limpieza y almacenamiento	52
10. Datos técnicos	53
11. Accesorios opcionales disponibles	53
12. Eliminación	53
13. Declaración CE de conformidad	54

Índice

1. Explicação dos símbolos	55
2. Instruções de segurança adicionais para serras Nexxsaw	55
3. Instruções de segurança para serras multifunções	56
4. Causas e prevenção de ricochete	57
5. Antes da primeira utilização.	58
6. Conteúdo da embalagem	58
7. Utilização prevista	58
8. Utilização	58
9. Manutenção, limpeza e armazenamento	61
10. Dados técnicos	61
11. Acessórios – disponíveis a título opcional	62
12. Eliminação.	62
13. Declaração de conformidade CE	62

Spis treści

1. objaśnienie symboli	63
2. Dodatkowe środki ostrożności dotyczące pracy z piłą Nexxsaw	63
3. Zalecenia dotyczące bezpiecznego korzystania z pił wielofunkcyjnych	64
4. Przyczyny i zapobieganie odbiciu	65
5. Przed pierwszym użyciem	66
6. Zawartość opakowania	66
7. Przeznaczenie.	66
8. Sposób użycia.	66
9. Konserwacja, czyszczenie i przechowywanie	69
10. Dane techniczne	70
11. Akcesoria – dostępne opcjonalnie	70
12. Utylizacja	70
13. Deklaracja zgodności z wymogami UE	71

Dear customer

Please familiarize yourself with the proper usage of the device by reading and following each chapter of this manual, in the order presented. Keep these operating instructions for further reference.

Please read the enclosed “General safety instructions for power tools” and all additional safety instructions in this operating instructions!

This manual contains important information on operating and handling the device. Keep these operating instructions for further reference. Please pass it on along with the unit if it is handed over to a third party.

Battery and charger not included!

The Maxxpack batteries and chargers are available online and in participating stores.

1. Explanation of the symbols

The following symbols are used in the user manual or on the product:



Warning! To reduce the risk of injury, the user must read the instruction manual.



Denotes risk of personal injury, loss of life or damage to the tool in case of non-observance of the instructions in this manual.



Always wear hearing protection. The effects of noise can cause hearing loss.



Wear safety glasses. When working with electric power tools, sparks, splinters, chips and dust particles may be generated and these can cause loss of sight.



Wear protective headgear.



Wear safety gloves.



Wear sturdy shoes.



Do not expose to rain or water.



Beware of kickback.



Keep sufficient distance to electrical power lines.



CE stands for “Conformité Européenne”, which means “In accordance with EU Regulations”. With the CE marking, the manufacturer confirms that this Electric tool complies with the applicable European directives.



Do not dispose of electric power tools with domestic refuse.

2. Additional safety instructions for Nexxsaw

- The Nexxsaw is designed for cutting branches. Only use the Nexxsaw as indicated in this manual for cutting wood. The machine has not been designed for continuous, professional use.
- Keep the Nexxsaw out of reach of children. It is not a toy.
- Persons with limited physical, sensorial or mental abilities are not allowed to use the Nexxsaw, unless they are supervised for their safety by a qualified person or are briefed by the responsible person how to use the machine.
- Children and adolescents are not allowed to use the Nexxsaw. Excluded from this prohibition are young people over 16 years of age under the supervision of an expert for the purpose of training.
- Please note the warning symbols. They mark all those instructions which are important for safety reasons. Observe these instructions as failure to do so could result in serious injury!
- The Nexxsaw must be used only by one person at a time. Make sure bystanders do not stay in the vicinity of the Nexxsaw’s work area.
- Check the safe operating condition of the Nexxsaw, in particular the guide bar and the saw chain, before each operation.
- Always have a safe stand when working with the saw.

-
- i. Hold the machine firmly and securely when switching on.
 - j. Make sure the guide bar and the saw chain must be free when switched on and must not come into contact with the workpiece to be cut.
 - k. Keep your hands away from the sawing area. Do not reach under the workpiece. Contact with the saw chain may result in injury.
 - l. Guide the Nexxsaw onto the workpiece only when switched on. Otherwise there is a risk of kickback if the saw chain gets caught in the workpiece.
 - m. When sawing, the base plate must always face against the workpiece. The saw chain can become jammed and lead to loss of control over the machine.
 - n. When the cut is completed, switch off the machine and then pull the saw chain out of the cut only after it has come to a standstill. This way you can avoid kickback.
 - o. Clamp the material to be processed well. Do not support the workpiece with your hand or foot. Do not touch objects or the floor with the saw running. Danger of kickback.
 - p. When sawing converted timber and thin branches always use a strong support, such as a sawing trestle. Do not stack timber pieces.
 - q. Before cutting logs, secure the logs in position.
 - r. When working on sloping ground, make sure to work facing upwards.
 - s. Be particularly careful when cutting splintered wood. Splinters of wood can be torn along by the saw chain and increase the risk of injury!
 - t. Foreign objects such as nails, screws, metal parts, sand, etc. lead to increased wear on the guide bar and saw chain.
 - u. A blunt saw chain can cause overheating and damage to the motor.
 - v. Always pull out the battery when checking the chain tension, to re-tighten it, to mount the saw chain and to eliminate faults! Also remove the battery if you do not use the machine temporarily.
- 3. Safety instructions for multi saws**
- 3.1 General multi saw safety warnings:**
- a. **Keep all parts of the body away from the saw chain when the multi saw is operating. Before you start the multi saw, make sure the saw chain is not contacting anything.** A moment of inattention while operating multi saws may cause entanglement of your clothing or body with the saw chain.
 - b. **Hold the multi saw by insulated gripping surfaces only, because the saw chain may contact hidden wiring.** Saw chains contacting a "live" wire may make exposed metal parts of the multi saw "live" and could give the operator an electric shock.
 - c. **Wear eye protection. Further protective equipment for hearing, head, hands, legs and feet is recommended.** Adequate protective equipment will reduce personal injury from flying debris or accidental contact with the saw chain.
 - d. **Always keep proper footing and operate the multi saw only when standing on fixed, secure and level surface.** Slippery or unstable surfaces may cause a loss of balance or control of the multi saw.
 - e. **When cutting a limb that is under tension, be alert for spring back.** When the tension in the wood fibres is released, the spring loaded limb may strike the operator and/or throw the multi saw out of control.
 - f. **Use extreme caution when cutting brush and saplings.** The slender material may catch the saw chain and be whipped toward you or pull you off balance.
 - g. **Carry the multi saw by the handle with the multi saw switched off and away from your body. When transporting or storing the multi saw, always fit the guide bar cover** Proper handling of the multi saw will reduce the likelihood of accidental contact with the moving saw chain.
-

- h. Follow instructions for lubricating, chain tensioning and changing the bar and chain.** Improperly tensioned or lubricated chain may either break or increase the chance for kickback.
- i. Cut wood only. Do not use multi saw for purposes not intended. For example: do not use multi saw for cutting metal, plastic, masonry or non-wood building materials.** Use of the multi saw for operations different than intended could result in a hazardous situation.
- j. This multi saw is not intended for tree felling.** Use of the multi saw for operations different than intended could result in serious injury to the operator or bystanders.
- k. Follow all instructions when clearing jammed material, storing or servicing the multi saw. Make sure the switch is off and the battery pack is removed.** Unexpected actuation of the multi saw while clearing jammed material or servicing may result in serious personal injury.
- Do not operate a chain saw in a tree, on a ladder, from a rooftop, or any unstable support. Operation of a chain saw in this manner could result in serious personal injury.
 - Follow all instructions when clearing jammed material, storing or servicing the chain saw. Make sure the switch is off and the battery pack is removed. Unexpected actuation of the chain saw while clearing jammed material or servicing may result in serious personal injury.
 - Do not overreach and do not cut above shoulder height. This helps prevent unintended tip contact and enables better control of the chain saw in unexpected situations.

4. Causes and operator prevention of kickback

Kickback may occur when the nose or tip of the guide bar touches an object, or when the wood closes in and pinches the saw chain in the cut.

Tip contact in some cases may cause a sudden reverse reaction, kicking the guide bar up and back towards the operator.

Pinching the saw chain along the top of the guide bar may push the guide bar rapidly back towards the operator.

Either of these reactions may cause you to lose control of the saw which could result in serious personal injury. Do not rely exclusively upon the safety devices built into your saw. As a multi saw user, you should take several steps to keep your cutting jobs free from accident or injury.

(See **Fig. B**). Kickback is the result of multi saw misuse and/or incorrect operating procedures or conditions and can be avoided by taking proper precautions as given below:

- a. Maintain a firm grip, with thumb and fingers encircling the saw handle and position your body and arm to allow you to resist kickback forces.** Kickback forces can be controlled by the operator, if proper precautions are taken. Do not let go of the saw.
- b. Do not overreach and do not cut above shoulder height.** This helps prevent unintended tip contact and enables better control of the multi saw in unexpected situations.
- c. Only use replacement guide bars and saw chains specified by the manufacturer.** Incorrect replacement guide bars and saw chains may cause chain breakage and/or kickback.
- d. Follow the manufacturer's sharpening and maintenance instructions for the saw chain.** Decreasing the depth gauge height can lead to increased kickback.

5. Before the first use

Remove the machine and all accessories from the package. Keep the packaging materials out of the reach of small children. There is a danger of suffocation!

6. Contents of packing

- 1× Nexxsaw
- 1× Bar protector
- 1× L screwdriver
- 1× Instruction manual

7. Intended use

- The Nexxsaw has been exclusively designed for cutting branches. The saw is not intended for continuous commercial use.
- The intended use also includes an operation following the operating instructions.
- In conjunction with the extension handle, the Nexxsaw can be used as a pruner for cutting branches.
- Any use beyond these parameters (different media, applying force) or any changes (reconstruction, no original accessory) can lead to serious risks and is regarded as use that is contrary to the intended purpose.

8. Use

8.1 Mounting the saw chain

(See Fig. C, D, E).

Always wear gloves when handling the saw chain.

- Unscrew the head screw (16) counter-clockwise in order to remove the sprocket cover (17).
- Remove the guide bar from the machine and run the saw chain around it. Please note the running direction of the saw chain. The saw chain icon is shown on the cover.
- Run the saw chain over the sprocket (20) and replace the guide bar on the chain adjusting screw pin (19).
- Use an oiler to oil the saw chain and the sprocket.
- Slightly tighten the saw chain with the chain adjusting screw (7). Use the included adjustment key (12) to tighten the screw. For tightening, turn the screw clockwise.
- Re-tighten the sprocket cover (17) with the head screw (16) on the housing.

8.2 Lubrication

Saw chain must be lubricated when the tool is in operation.

- Check the amount of remaining oil in the oil reservoir through the oil inspection window (21).

- Lightly press the oil supply button (2) to lubricate the chain.

8.3 To refill the oil reservoir

- Remove the battery from the machine.
- Remove the oil reservoir cap (9) from the oil reservoir opening.
- Fill the oil reservoir.
- After refilling the reservoir, always screw the provided oil reservoir cap on the chain saw.

CAUTION:

- Only use commercially available, biodegradable chain oils.
- Do not use engine oil, waste oil or other mineral oils.
- Never use oil including dust and particles or volatile oil.
- If the saw makes a rattling noise, the chain must be lubricated.

Grease the chain of the Nexxsaw regularly with biodegradable oil.

8.4 Adjusting saw head

(See Fig. F).

The cutting position of the Nexxsaw can be adjusted by adjusting the saw head:

Caution! Wear safety gloves.

- Remove the battery from the machine.
- Push release button (3b).
- Turn knob (3a) clockwise to adjust the saw head.
- Adjust the saw head to the desired position.
- Turn knob (3a) counter clockwise to the starting position, and make sure that release button (3b) audibly clicks into place.

PAY ATTENTION: If release button (3b) does not click properly, the machine will not start, this is an extra safety.

8.5 Adjusting saw chain tension

(See Fig. C).

CAUTION: Do not tighten the saw chain too much. Excessively high tension of saw chain may cause breakage of saw chain, wear of the guide bar and breakage of the sprocket.

CAUTION: A chain which is too loose can jump off the guide bar.

The saw chain may become loose after use. From time to time check the saw chain tension, certainly before each use.

- a. Remove the battery.
- b. Loosen the head screw **(16)** a bit to loosen the sprocket cover lightly.
- c. Adjust the chain tension. Turn the chain adjusting screw **(7)** clockwise to tighten, turn it counter-clockwise to loosen. Tighten the saw chain so that the gap between the centre of the lower side of the guide bar and the saw chain becomes approximately 3 – 4 mm.
- d. Tighten the head screw **(16)** to secure the sprocket cover.

8.6 Switching ON and OFF

The use of the Nexxsaw without lubricating the chain with chain oil will damage the saw chain and the guide bar.

- a. Insert the battery into the battery recess.
- b. Hold the Nexxsaw firmly and securely by the handgrip.
- c. To switch on the Nexxsaw, first press the safety switch **(1)**.
- d. Then press the ON/OFF switch **(10)**.
- e. To switch off the saw, release the ON/OFF switch.

8.7 Break-in time for new saw chains

- a. Remove the battery and adjust the chain tension.
 - b. Switch on the Nexxsaw and leave the motor running idle for approx. 5 minutes.
 - c. Remove the battery and check the chain tension again. If necessary, re-tighten the chain.
 - d. Afterwards make only easy cuts for approx. 30 minutes. Always ensure sufficient lubrication of the saw chain! Only use the Nexxsaw for heavier cuts and greater cutting depths after the running-in period has expired.
- Use only a sharp saw chain. A blunt saw chain can jam more easily. Check the chain tension more frequently when working with a new saw chain, as the chain stretches more at first.

- The service life of a saw chain depends on sufficient lubrication and the correct tension.
- During operation, the chain heats up and re-tensioning may be necessary. Relax the chain after work so that it is not too tight the next time the cold machine is used.
- Do not re-tighten saw chains that have become too hot. After it has cooled down, it may contract and lie too tight against the guide bar. Wait until the saw chain has cooled down before re-tensioning.
- The tension of the saw chain is important for your safety and the function of the machine. A correctly tensioned saw chain increases the service life of the machine.
- Check the chain tension before each use.
- The saw chain is correctly tensioned if it can be pulled around the sword by hand (wear protective gloves) without sagging.
- With new saw chains, you must readjust the chain tension again after a short period of operation.

8.8 Work instructions

- Never reach over the protection cover **(4)** or under the base plate **(8)**. There is a risk of injury!
- Do not start the saw if the saw chain is in contact with the workpiece, is in the workpiece or can hit an object. This can lead to serious injuries.
- Clamp loose workpieces before cutting them. Remove foreign objects such as nails, screws, etc.
- When cutting a branch that is under tension be alert for spring back. When the tension in the wood fibres is released, the spring-loaded limb may strike the operator and/or throw the Nexxsaw out of control.
- Use extreme caution when cutting brush and saplings. The slender material may catch the saw chain and be whipped toward you or pull you off balance.
- When the saw chain is running, first place the base plate **(8)** on the surface of the workpiece and let the saw cut on its

own. Apply only light pressure to the saw. The chain speed should not be much slower.

8.9 Changing the saw chain

- Only handle the saw chain with gloves and remove the battery first!
- Inspect the saw chain and the guide bar for damage or signs of wear.
- Never put a new saw chain on a worn guide bar.
- Let each new saw chain break-in first!
- When attaching the saw chain, observe the running direction!

8.10 Kickback

- The shape of the protection cover (4) largely eliminates the risk of kickback.
- The saw is optimally protected against kickback by the protection cover with tip protection. Never remove the protection cover (4). There is a risk of injury!

8.11 Sharpen the saw chain

- The saw teeth must be sharpened if the sawdust becomes powdery, if additional force is required for the incision, if a straight incision is no longer possible or if the vibrations become stronger.
- Blunt saw chains should be re-sharpened.
- To sharpen the chain use a chain sharpener, make sure you sharpen the chain at a 30° angle.
- Or have the chain re-sharpened professionally (advised).
- Replace the saw chain if there is considerable damage that cannot be repaired by filing.

8.12 Cleaning the guide bar

(See Fig. G).

- Thoroughly clean the notch of the guide bar.
- Replace the guide bar if the guide groove is damaged or worn and the saw chain has too much lateral space.

9. Maintenance, cleaning and storing

For best performance, always keep the saw chain and the Nexxsaw in good order.

Remove the battery pack from the tool before carrying out any adjustment, servicing or maintenance.

- Clean the sprocket area with a brush or compressed air. (See Fig. H).
- Use a cloth, a paintbrush or a brush to remove dust and wood splinters. Always keep the ventilation slots clean and free from obstructions.
- We recommend that you clean your electric power tool immediately after each use.
- Clean the electric power tool regularly with a damp cloth and somewhat soft soap. Do not use any cleaning or solvent materials; these can attack the device's plastic components. Make sure that no water can get inside the electric power tool.
- Do not let liquids of any kind enter the Nexxsaw.
- From time to time check that all screws are firmly secured.
- Store the Nexxsaw and the accessory indoors in a dry place that is protected from dust, dirt and extreme temperatures.
- Store the Nexxsaw out of reach of children and persons in need of supervision.

10. Technical data

Battery voltage:	18 V Li-Ion
No load speed:	3200 min ⁻¹
No load chain speed:	4.7 m/s
Total sword length:	179 mm
Effective sword length:	150 mm
Max. cutting depth:	150 mm
Product weight without accessories:	1.4 kg
Sound pressure level L _{pA}	
Multi-saw:	76.83 dB(A)
Pruner (with extension pole):	72.20 dB(A)
Uncertainty K _{pA} :	3 dB(A)
Sound power level L _{WA}	
Multi-saw:	87.83 dB(A)
Pruner (with extension pole):	85.40 dB(A)
Uncertainty K _{WA} :	3 dB(A)
Hand/arm vibration	
Multi-saw:	1.486 m/s ²
Pruner (with extension pole)	
Front:	1.263 m/s ²
Rear:	0.852 m/s ²
Uncertainty K:	1.5 m/s ²

10.1 Vibration level

The declared vibration total value and the declared noise emission values have been measured in accordance with a standard test method (EN 62841) and may be used for comparing one tool with another. The declared vibration total value may also be used in a preliminary assessment of exposure.

Warning!

The vibration and noise emission during actual use of the power tool can differ from the declared total value depending on the ways in which the tool is used, in particular, what kind of work piece is machined.

It is necessary to identify safety measures to protect the operator that are based on an estimation of exposure in the actual conditions of use (taking account of all parts of the operating cycle such as the times when the tool is switched off and when it is running idle in addition to the trigger time).

Try to minimize the impact of vibration and noise. Exemplary measures to reduce vibration exposure include wearing gloves while

using the tool, limiting working time, and using accessories in good condition.

11. Accessories – optionally available

Titanium coated chain 7"	Item-No. 7064352
Bar 7"	Item-No. 7064353
Bar protector 7"	Item-No. 7064387
Extension pole	Item-No. 7063826
18 V Chain Sharpener	Item-No. 7063640

12. Disposal



Do not dispose of electric power tools with domestic refuse.

The electric power tool is shipped in packaging to reduce transport damage.

This packaging is a raw material and as such can either be reused or can be fed back into the raw material cycle. The electric power tool and its accessories are made from various materials such as metals and plastics. Take defective components to a special refuse collection point. Ask about these at your specialist shop or local council.

12.1 Batteries

Think of the environment when disposing of batteries. Contact your local authorities to find out where your nearest disposal area is. Do not dispose of batteries with domestic refuse. Do not dispose of by burning, risk of explosion.

13. EC-Declaration of conformity

We, the **Batavia B.V., Weth. Wassebaliestraat 6d, NL-7951 SN Staphorst**, declare by our own responsibility that the product **Nexxsaw, Item-No 7064322, Model Nr. BT-NXS005** is according to the basic requirements, which are defined in the European Directives **Electromagnetic Compatibility 2014/30/EU (EMC), 2006/42/EC (Machinery), RoHS: 2011/65/EU** and their amendments. For the evaluation of conformity, the following harmonized standards were consulted:

EN IEC 55014-1:2021
EN IEC 55014-2:2021
EN62841-1:2015
EN ISO 11680-1:2011
EN ISO 12100:2010
AfPS GS 2019:01

Staphorst, 1 September 2022



Meino Seinen, QA Representative
Batavia B.V., Weth. Wassebaliestraat 6d,
7951 SN Staphorst, Netherlands
The product and the user manual may be subject to changes. Technical data may be changed without prior notice.

14. UK Declaration of Conformity

We, the **Batavia B.V., Weth. Wassebaliestraat 6d, NL-7951 SN Staphorst**, Netherlands declare by our own responsibility that the product **Nexxsaw, Item-No 7064322, Model Nr. BT-NXS005** is according to the basic requirements, which are defined in the **UK Regulations Supply of Machinery (Safety) Regulations 2008, Electromagnetic Compatibility Regulations 2016, Restriction of the Use of Certain Hazardous Substances in Electrical and Electronic Equipment Regulations 2012** and their amendments.

Staphorst, 1 September 2022



Meino Seinen, QA Representative
Batavia B.V., Weth. Wassebaliestraat 6d,
7951 SN Staphorst, Netherlands

The product and the user manual may be subject to changes. Technical data may be changed without prior notice.

Sehr geehrte Damen und Herren

Bitte machen Sie sich in der Reihenfolge der Kapitel mit dem Gerät vertraut und bewahren Sie diese Bedienungsanleitung für spätere Zwecke gut auf.

Lesen Sie bitte die beigefügten **“Allgemeine Sicherheitshinweise für Elektrowerkzeuge”** und alle weiteren **Sicherheitshinweise in dieser Betriebsanleitung!**

Diese Bedienungsanleitung enthält wichtige Hinweise zur Inbetriebnahme und Handhabung. Legen Sie die Anleitung dem Produkt bei, wenn Sie es an Dritte weitergeben.

Akku und Ladegerät sind nicht im Lieferumfang enthalten!

Die Maxxpack Akkus und Ladegeräte sind online und in teilnehmenden Geschäften verfügbar.

1. Erläuterung der Symbole

Folgende Symbole werden im Benutzerhandbuch oder auf dem Produkt verwendet:



WARNUNG - Zur Verringerung des Verletzungsrisikos Bedienungsanleitung lesen.



Allgemeines Warnzeichen – Seien Sie aufmerksam und beachten Sie allgemeine Gefahren.



Tragen Sie immer einen Gehörschutz. Die Einwirkung von Lärm kann Hörverlust bewirken.



Tragen Sie eine Schutzbrille. Während der Arbeit entstehende Funken oder aus dem Elektrowerkzeug heraustretende Splitter, Späne und Stäube können Sichtverlust bewirken.



Tragen Sie ein Helm.



Tragen Sie Handschuhe.



Tragen Sie feste Schuhe.



Nicht Regen oder Wasser aussetzen.



Nehmen Sie sich vor Rückschlag in acht.



Genügen Abstand zu Elektroleitungen einhalten.



CE steht für „Conformité Européenne“, dies bedeutet, „Übereinstimmung mit EU Richtlinien“. Mit der CE Kennzeichnung bestätigt der Hersteller, dass dieses Elektrowerkzeug den geltenden europäischen Richtlinien entspricht.



Nicht in den Hausmüll entsorgen!

2. Zusätzliche Sicherheitshinweise für Nexxsaw

- a. Die Nexxsaw ist bestimmt zum Schneiden von Ästen. Verwenden Sie die Nexxsaw nur in Übereinstimmung mit dieser Anleitung zum Sägen von Holz im privaten Bereich. Sie ist nicht für den gewerblichen Dauereinsatz vorgesehen.
- b. Halten Sie die Nexxsaw außerhalb der Reichweite von Kindern. Das Gerät ist kein Spielzeug.
- c. Personen mit eingeschränkten physischen, sensorischen oder geistigen Fähigkeiten dürfen die Nexxsaw nicht benutzen, es sei denn sie werden durch eine für ihre Sicherheit zuständige Person beaufsichtigt oder erhalten von der zuständigen Person Anweisungen, wie das Gerät zu benutzen ist.
- d. Kinder und Jugendliche dürfen die Nexxsaw nicht bedienen. Von diesem Verbot ausgenommen sind Jugendliche über 16 Jahre unter Aufsicht eines Fachkundigen zum Zwecke der Ausbildung.
- e. Beachten Sie alle Hinweissymbole. Sie kennzeichnen Anweisungen, die für die Sicherheit wichtig sind. Befolgen Sie die Anweisungen, andernfalls können schwere Verletzungen die Folge sein!
- f. Die Nexxsaw darf immer nur von einer Person bedient werden. Achten Sie darauf, dass andere Personen sich nicht im Arbeitsbereich der Nexxsaw aufhalten.

- g. Prüfen Sie vor jeder Inbetriebnahme den sicheren Zustand der Säge, insbesondere des Schwertes und der Kette.
- h. Sorgen Sie bei der Arbeit für einen sicheren Stand.
- i. Halten Sie die Maschine beim Einschalten gut und sicher fest.
- j. Das Schwert und die Sägekette müssen beim Einschalten frei stehen und dürfen keinen Kontakt zu dem zu bearbeitenden Werkstück haben.
- k. Halten Sie die Hände vom Sägebereich fern. Greifen Sie nicht unter das Werkstück. Bei Kontakt mit der Sägekette besteht Verletzungsgefahr.
- l. Führen Sie die Nexxsaw nur eingeschaltet auf das Werkstück. Es besteht sonst die Gefahr eines Rückschlages, wenn sich die Sägekette im Werkstück verhakt.
- m. Achten Sie darauf, dass die Anschlagsplatte beim Sägen immer am Werkstück anliegt. Die Sägekette kann sich sonst verhaken und zum Verlust der Kontrolle über die Nexxsaw führen.
- n. Schalten Sie nach Beendigung des Arbeitsvorgangs die Nexxsaw aus und ziehen Sie die Sägekette erst dann aus dem Schnitt, wenn sie zum Stillstand gekommen ist. So vermeiden Sie einen Rückschlag.
- o. Spannen Sie das Material gut fest. Stützen Sie das Werkstück nicht mit der Hand oder dem Fuß ab. Berühren Sie keine Gegenstände oder den Erdboden mit der laufenden Säge. Es besteht Rückschlaggefahr.
- p. Beim Sägen von Schnittholz und dünnem Gehölz verwenden Sie immer eine sichere Auflage, z. B. einen Sägebock. Das zu schneidende Holz darf beim Sägen nicht gestapelt werden.
- q. Sichern Sie Rundhölzer bevor Sie diese schneiden.
- r. Achten Sie darauf, dass Sie immer zum Hang hin stehen, wenn Sie auf einem schrägen Untergrund stehen.
- s. Gehen Sie beim Schneiden gesplitterten Holzes besonders vorsichtig vor. Holzsplitters können durch die Sägekette mitgerissen werden und eine erhöhte Verletzungsgefahr bedeuten!
- t. Fremdkörper wie Nägel, Schrauben, Metallteile, Sand, etc. führen zu erhöhtem Verschleiß an Schwert und Sägekette.
- u. Eine stumpfe Sägekette kann Überhitzung und Schäden am Motor verursachen.
- v. Zur Nachprüfung der Kettenspannung, zum Nachspannen, zur Montage der Sägekette und zur Beseitigung von Störungen ziehen Sie immer den Akku heraus! Entnehmen Sie den Akku ebenfalls, wenn Sie das Gerät zeitweise nicht benutzen.

3. Sicherheitshinweise für Multi Sägen

3.1 Allgemeine Sicherheitshinweise für Multi Sägen

- a. **Halten Sie bei laufender Säge alle Körperteile von der Sägekette fern. Vergewissern Sie sich vor dem Starten der Säge, dass die Sägekette nichts berührt.** Beim Arbeiten mit einer Multi Säge kann ein Moment der Unachtsamkeit dazu führen, dass Bekleidung oder Körperteile von der Sägekette erfasst werden.
- b. **Halten Sie die Multi Säge nur an den isolierten Griffflächen, da die Sägekette verborgene Stromleitungen treffen kann.** Der Kontakt der Sägekette mit einer spannungsführenden Leitung kann auch metallene Geräteteile unter Spannung setzen und zu einem elektrischen Schlag führen.
- c. **Tragen Sie Augenschutz. Weitere Schutzausrüstung für Gehör, Kopf, Hände, Beine und Füße wird empfohlen.** Passende Schutzkleidung mindert die Verletzungsgefahr durch umherfliegendes Spanmaterial und zufälliges Berühren der Sägekette.
- d. **Achten Sie immer auf festen Stand und benutzen Sie die Multi Säge nur, wenn Sie auf festem, sicherem und ebenem Grund stehen.** Rutschiger Untergrund oder instabile Standflächen können zum Verlust des Gleichgewichts

oder zum Verlust der Kontrolle über die Multi Säge führen.

- e. **Rechnen Sie beim Schneiden eines unter Spannung stehenden Astes damit, dass dieser zurückfedert.** Wenn die Spannung in den Holzfasern freikommt, kann der gespannte Ast den Benutzer treffen und/oder die Multi Säge der Kontrolle entreißen.
- f. **Seien Sie besonders vorsichtig beim Schneiden von Unterholz und jungen Bäumen.** Das dünne Material kann sich in der Sägekette verfangen und auf Sie schlagen oder Sie aus dem Gleichgewicht bringen.
- g. **Tragen Sie die Multi Säge am Griff im ausgeschalteten Zustand, die Sägekette von Ihrem Körper abgewandt. Bei Transport oder Aufbewahrung der Multi Säge stets die Schutzabdeckung aufziehen.** Sorgfältiger Umgang mit der Multi Säge verringert die Wahrscheinlichkeit einer versehentlichen Berührung mit der laufenden Sägekette.
- h. **Befolgen Sie Anweisungen für die Schmierung, die Kettenspannung und das Wechseln von Führungsschiene und Kette.** Eine unsachgemäß gespannte oder geschmierte Kette kann entweder reißen oder das Rückschlagrisiko erhöhen.
- i. **Nur Holz sägen. Die Multi Säge nicht für Arbeiten verwenden, für die sie nicht bestimmt ist. Beispiel: Verwenden Sie die Multi Säge nicht zum Sägen von Metall, Plastik, Mauerwerk oder Baumaterialien, die nicht aus Holz sind.** Die Verwendung der Multi Säge für nicht bestimmungsgemäße Arbeiten kann zu gefährlichen Situationen führen.
- j. **Diese Multi Säge ist nicht geeignet zum Fällen von Bäumen.** Die Verwendung der Multi Säge für nicht bestimmungsgemäße Arbeiten kann zu ernsthaften Verletzungen des Benutzers oder anderer Personen führen.
- k. **Befolgen Sie alle Anweisungen, wenn Sie die Multi Säge von Materialansammlungen befreien, lagern oder Wartungsarbeiten durchführen. Ver-**

gewissern Sie sich, dass der Schalter ausgeschaltet und die Einschaltperre sich in Sperrposition befindet. Ein unerwarteter Betrieb der Multi Säge beim Entfernen von Materialansammlungen oder während Wartungsarbeiten kann zu ernsthaften Verletzungen führen.

- Arbeiten Sie mit der Kettensäge nicht auf einem Baum, einer Leiter, von einem Dach oder einer instabilen Standfläche. Bei Betrieb in einer solchen Weise besteht ernsthafte Verletzungsgefahr.
- Befolgen Sie alle Anweisungen, wenn Sie die Kettensäge von Materialansammlungen befreien, lagern oder Wartungsarbeiten durchführen. Vergewissern Sie sich, dass der Schalter ausgeschaltet und die Einschaltperre sich in Sperrposition befindet. Ein unerwarteter Betrieb der Kettensäge beim Entfernen von Materialansammlungen oder während Wartungsarbeiten kann zu ernsthaften Verletzungen führen.
- Vermeiden Sie eine abnormale Körperhaltung und sägen Sie nicht über Schulterhöhe. Dadurch wird ein unbeabsichtigtes Berühren mit der Schienenspitze vermieden und eine bessere Kontrolle der Kettensäge in unerwarteten Situationen ermöglicht.

4. Ursachen und Vermeidung eines Rückschlags

Rückschlag kann auftreten, wenn die Spitze der Führungsschiene einen Gegenstand berührt oder wenn das Holz sich biegt und die Sägekette im Schnitt festklemmt.

Eine Berührung mit der Schienenspitze kann in manchen Fällen zu einer unerwarteten nach hinten gerichteten Reaktion führen, bei der die Führungsschiene nach oben und in Richtung des Benutzers geschlagen wird. Das Verklemmen der Sägekette an der Oberkante der Führungsschiene kann die Schiene rasch in Benutzerrichtung zurückstoßen.

Jede dieser Reaktionen kann dazu führen, dass Sie die Kontrolle über die Säge verlieren und sich möglicherweise schwer verletzen. Verlassen Sie sich nicht ausschließlich

auf die in der Multi Säge eingebauten Sicherheitseinrichtungen. Als Benutzer einer Multi Säge sollten Sie verschiedene Maßnahmen ergreifen, um unfall- und verletzungsfrei zu arbeiten.

(Siehe **Abb. B**) Ein Rückschlag ist die Folge eines falschen oder fehlerhaften Gebrauchs der Multi Säge. Er kann durch geeignete Vorsichtsmaßnahmen, wie nachfolgend beschrieben, verhindert werden:

- a. **Halten Sie die Säge mit beiden Händen fest, wobei Daumen und Finger die Griffe der Multi Säge umschließen. Bringen Sie Ihren Körper und die Arme in eine Stellung, in der Sie den Rückschlagkräften standhalten können.** Wenn geeignete Maßnahmen getroffen werden, kann der Benutzer die Rückschlagkräfte beherrschen. Niemals die Multi Säge loslassen.
- b. **Vermeiden Sie eine abnormale Körperhaltung und sägen Sie nicht über Schulterhöhe.** Dadurch wird ein unbeabsichtigtes Berühren mit der Schienenspitze vermieden und eine bessere Kontrolle der Multi Säge in unerwarteten Situationen ermöglicht.
- c. **Verwenden Sie stets vom Hersteller vorgeschriebene Ersatzschienen und Sägeketten.** Falsche Ersatzschienen und Sägeketten können zum Reißen der Kette und/oder zu Rückschlag führen.
- d. **Halten Sie sich an die Anweisungen des Herstellers für das Schärfen und die Wartung der Sägekette.** Zu niedrige Tiefenbegrenzer erhöhen die Neigung zum Rückschlag

5. Vor der ersten Benutzung

Nehmen Sie das Gerät und alle Zubehörteile aus der Verpackung. Bewahren Sie das Verpackungsmaterial außerhalb der Reichweite von Kindern auf. Es besteht Erstickungsgefahr!

6. Verpackungsinhalt

- 1× Nexxsaw
- 1× Schwert Schutz
- 1× L Schraubendreher
- 1× Bedienungsanleitung

7. Bestimmungsgemäßer Gebrauch

- Die Nexxsaw dient ausschließlich zum Sägen von Materialien aus Holz, wie Spanplatten, Ästen, Latten, Hart- und Weichholz. Die Säge ist nicht für den gewerblichen Dauereinsatz vorgesehen.
- Zur bestimmungsgemäßen Verwendung gehört auch das Einhalten der Anleitung.
- In Verbindung mit dem Verlängerungsstiel kann die Nexxsaw als Hochentaster zum Schneiden von Ästen benutzt werden.
- Jede darüber hinausgehende Verwendung (andere Medien, Gewaltanwendung) oder eigenmächtige Veränderung (Umbau, kein Original-Zubehör) können Gefahren auslösen und gelten als nicht bestimmungsgemäß.

8. Bedienung

8.1 Einsetzen der Sägekette

(Siehe **Abb. C, D, E**).

Tragen Sie stets Handschuhe, wenn Sie die Sägekette handhaben.

- a. Schrauben Sie die Abdeckung **(17)** durch Drehen der Rändelschraube **(16)** gegen den Uhrzeigersinn ab.
- b. Nehmen Sie das Schwert aus der Maschine und führen Sie die Sägekette um das Schwert herum. Beachten Sie unbedingt die korrekte Laufrichtung der Sägekette. Das Sägeketten-Symbol ist auf der Abdeckung abgebildet.
- c. Legen Sie die Sägekette um das Ritzel **(20)** und setzen Sie das Schwert wieder auf den Stift der Feststellschraube **(19)**.
- d. Benetzen Sie mit Öl die Sägekette und das Ritzel.
- e. Ziehen Sie die Sägekette mit der Feststellschraube **(7)** leicht an. Benutzen Sie hierzu den beigefügten Einstellschlüssel **(12)**. Drehen Sie die Feststellschraube gegen den Uhrzeigersinn.
- f. Schrauben Sie die Abdeckung **(17)** mit der Rändelschraube **(16)** auf das Gehäuse.

8.2 Schmierung

Die Sägekette muss geschmiert werden, wenn das Werkzeug in Betrieb ist.

- Überprüfen Sie die verbleibende Ölmenge im Ölbehälter durch das Ölstandsfenster **(21)**.
- Drücken Sie leicht auf den Ölversorgungsknopf **(2)**, um die Kette zu schmieren.

8.3 Zum Nachfüllen des Ölbehälters:

- Entfernen Sie den Akku aus der Maschine.
- Ölbehälterdeckel **(9)** von der Ölbehälter-Einfüllöffnung entfernen.
- Füllen Sie den Ölbehälter.
- Schrauben Sie nach dem Auffüllen des Ölbehälters immer den mitgelieferten Ölbehälterdeckel auf die Kettensäge.

VORSICHT:

- Verwenden Sie nur handelsübliche, biologisch abbaubare Kettenöle.
- Verwenden Sie kein Motoröl, Altöl oder andere Mineralöle.
- Verwenden Sie keinesfalls Öl, das Staub und Fremdkörper enthält, oder leichtflüchtiges Öl.
- Wenn die Säge ein Rasseln macht, muss die Kette geschmiert werden.

Schmieren Sie die Kette regelmäßig mit biologisch abbaubarem Öl.

8.4 Sägekopf einstellen

(Siehe **Abb. F**).

Die Schnittposition der NexxSaw kann durch Verstellen des Sägekopfes eingestellt werden:

Vorsicht! Schutzhandschuhe tragen.

- Entfernen Sie den Akku aus dem Gerät
- Drücken Sie die Entriegelungstaste **(3b)**
- Drehen Sie den Drehknopf **(3a)** im Uhrzeigersinn, um den Sägekopf einzustellen
- Stellen Sie den Sägekopf auf die gewünschte Position ein
- Drehen Sie den Drehknopf **(3a)** gegen den Uhrzeigersinn in die Ausgangsposition und stellen Sie sicher, dass der Entriegelungstaste **(3b)** hörbar einrastet

ACHTUNG: Wenn die Entriegelungstaste **(3b)** nicht richtig einrastet, lässt sich das Gerät nicht starten; dies ist eine zusätzliche Sicherheitsmaßnahme.

8.5 Einstellen der Kettenspannung

(Siehe **Abb. C**).

VORSICHT: Spannen Sie die Sägekette nicht zu fest. Eine zu hohe Spannung der Sägekette kann zum Bruch der Sägekette, zum Verschleiß des Schwertes und zum Bruch des Einstellrads führen.

VORSICHT: Eine zu lose Kette kann vom Schwert rutschen.

Die Sägekette kann sich nach Betriebsstunden lockern. Überprüfen Sie vor jeder Gebrauch die Kettenspannung.

- a. Entfernen Sie den Akku.
- b. Lösen Sie die Rändelschraube ein wenig, um die Kettenradabdeckung leicht zu lösen.
- c. Passen Sie die Kettenspannung an. Drehen Sie die Rändelschraube im Uhrzeigersinn, um die Kette zu spannen und gegen den Uhrzeigersinn, um die Kettenspannung zu lösen. Spannen Sie die Sägekette so, dass der Abstand zwischen der Mitte der unteren Seite des Schwertes und der Sägekette etwa 3 – 4 mm beträgt.
- d. Ziehen Sie die Rändelschraube fest, um die Kettenradabdeckung zu fixieren.

8.6 Ein- und Ausschalten

Eine Benutzung der NexxSaw ohne Kettenöl führt zur Beschädigung der Sägekette und des Schwertes.

- a. Setzen Sie den Akku in die Akkuaufnahme.
- b. Halten Sie die NexxSaw fest und sicher am Handgriff.
- c. Zum Einschalten der NexxSaw drücken Sie den Sicherheitsschalter **(1)**.
- d. Drücken Sie den EIN/AUS-Schalter **(10)**.
- e. Zum Ausschalten der Säge, lassen Sie den EIN/AUS-Schalter los.

8.7 Einlaufzeit für neue Sägeketten

- a. Entfernen Sie den Akku und stellen Sie die Kettenspannung ein.

- b. Schalten Sie die Nexxsaw an und lassen Sie das Gerät ca. 5 Minuten im Leerlauf laufen.
- c. Entfernen Sie den Akku und kontrollieren Sie die Kettenspannung erneut. Falls erforderlich, spannen Sie die Kette nach.
- d. Führen Sie danach ca. 30 Minuten nur leichte Schnitte durch. Sorgen Sie immer für ausreichende Schmierung der Sägekette! Erst nach Ablauf der Einlaufzeit, benutzen Sie die Nexxsaw für schwerere Schnitte und größere Schnitttiefen.
 - Verwenden Sie nur scharfe Sägeketten. Stumpfe Sägeketten können sich leichter verklemmen. Prüfen Sie beim Arbeiten mit neuen Sägeketten häufiger die Kettenspannung, da sich die Kette in der ersten Zeit stärker dehnt.
 - Die Lebensdauer einer Sägekette hängt von einer ausreichenden Schmierung und von der richtigen Spannung ab.
 - Während des Betriebes erwärmt sich die Kette, und es kann ein Nachspannen notwendig werden. Entspannen Sie die Kette nach dem Arbeiten wieder, damit sie beim nächsten Gebrauch des kalten Geräts nicht zu straff ist.
 - Spannen Sie zu heiß gewordene Sägeketten nicht wieder nach. Nach dem Abkühlen kann sie sich zusammenziehen und zu straff am Schwert anliegen. Warten Sie vor dem Nachspannen, bis die Sägekette abgekühlt ist.
 - Die Spannung der Sägekette ist wichtig für Ihre Sicherheit und die Funktion des Gerätes. Eine richtig gespannte Sägekette erhöht die Lebensdauer des Gerätes.
 - Prüfen Sie vor jeder Nutzung des Gerätes die Kettenspannung.
 - Die Sägekette ist richtig gespannt, wenn sie sich ohne durchzuhängen mit der Hand (Schutzhandschuhe tragen) um das Schwert bewegen lässt.
 - Bei neuen Sägeketten müssen Sie die Kettenspannung nochmals nach kurzer Betriebszeit nachstellen.
- Greifen Sie niemals über die Schutzabdeckung **(4)** oder unter die Anschlagplatte **(8)**. Es besteht Verletzungsgefahr!!
- Schneiden Sie nicht, wenn die Sägekette Kontakt mit dem Werkstück hat, sich in dem Werkstück befindet oder gegen einen Gegenstand stoßen kann. Dies kann zu schweren Verletzungen führen.
- Klemmen Sie lose Werkstücke erst ein, bevor Sie diese schneiden. Entfernen Sie Fremdkörper wie Nägel, Schrauben usw.
- Beim Schneiden eines unter Spannung stehenden Zweiges ist darauf zu achten, dass er zurück-federt. Wenn sich die Spannung in den Holzfasern löst, kann der federbelastete Schenkel den Bediener treffen und/oder die Säge außer Kontrolle bringen.
- Seien Sie äußerst vorsichtig beim Schneiden von Unterholz und jungen Bäumen. Das schlanke Material kann die Sägekette erfassen und auf Sie zugehen oder Sie aus dem Gleichgewicht bringen.
- Legen Sie bei laufender Sägekette erst die Anschlagplatte **(8)** auf die Werkstückoberfläche auf und lassen Sie die Säge selbständig schneiden. Üben Sie nur leichten Druck auf die Säge aus. Die Kettengeschwindigkeit sollte nicht wesentlich langsamer werden.
- Zum Kühlen der Säge, lassen Sie die Maschine noch kurze Zeit unbelastet im Leerlauf weiterlaufen.
- Tragen Sie die Nexxsaw am Griff bei ausgeschaltetem Zustand und von Ihrem Körper weg. Beim Transport oder bei der Lagerung der Säge montieren Sie immer den Schwertschutz. Durch den richtigen Umgang mit der Nexxsaw wird die Wahrscheinlichkeit eines unbeabsichtigten Kontaktes mit der beweglichen Sägekette reduziert.

8.9 Sägekettenwechsel

- Berühren Sie die Sägekette nur mit Handschuhen und entfernen Sie vorher den Akku!

8.8 Arbeitshinweise

- Untersuchen Sie die Sägekette und das Schwert auf Schäden oder Verschleißerscheinungen.
- Legen Sie niemals eine neue Sägekette auf ein abgenutztes Schwert auf.
- Lassen Sie jede neue Sägekette erst einlaufen!
- Beim Einspannen der Sägekette beachten Sie die Laufrichtung.

8.10 Der Rückschlag (Kick-Back)

- Durch die Form der Schutzabdeckung (4) wird die Rückschlaggefahr weitgehend ausgeschaltet.
- Die Säge ist durch die Schutzabdeckung mit Spitzenschutz optimal gegen Rückschlag geschützt. Entfernen Sie niemals die Schutzabdeckung (4). Es besteht Verletzungsgefahr!

8.11 Sägekette schärfen

- Die Sägezähne müssen nach-gefeilt werden, wenn die Sägespäne einen pulverförmigen Zustand annehmen, ein zusätzlicher Kraftaufwand für den Einschnitt benötigt wird, ein gerader Einschnitt nicht mehr möglich ist oder die Vibrationen stärker werden.
- Stumpfe Sägeketten sollten nachgeschliffen werden.
- Stellen Sie zum Schärfen der Kette mit einem Kettenschärfer sicher, dass Sie die Kette in einem Winkel von 30° schärfen.
- Oder lassen Sie die Kette professionell nachschärfen (empfohlen).
- Erneuern Sie die Sägekette, wenn erhebliche Beschädigungen vorhanden sind, die sich durch Feilen nicht mehr beseitigen lassen.

8.12 Schwertreinigung

(Siehe **Abb. G**).

- Reinigen Sie die Nut des Schwertes gründlich nach jeder Arbeit.
- Erneuern Sie das Schwert, wenn die Führungsnut beschädigt oder verschlissen ist und die Sägekette zu viel seitliches Spiel hat.

9. Wartung, Reinigung und Lagerung

Halten Sie die Nexxsaw und das Zubehör in gutem und sauberem Zustand, um gut und sicher zu arbeiten.

Vor allen Arbeiten an der Säge, entfernen Sie erst den Akku.

- Reinigen Sie die Sägekettenaufnahme mit einem Pinsel oder mit Druckluft. (Siehe **Abb. H**).
- Reinigen Sie das Gehäuse mit einem Tuch, einem Pinsel oder einer Bürste vor Staub und Sägespäne. Halten Sie alle Lüftungsschlitze sauber und offen.
- Bei starker Verschmutzung können Sie das Tuch mit einem milden Spülmittel oder Schmierseife benetzen. Andere Reinigungsmittel enthalten häufig chemische Substanzen, welche die Kunststoffteile des Gerätes angreifen können.
- Achten Sie darauf, dass keine Flüssigkeiten in die Säge gelangen.
- Kontrollieren Sie von Zeit zu Zeit den festen Sitz aller Schrauben.
- Lagern Sie die Säge und das Zubehör im Innenbereich an einem trockenen, vor Staub, Schmutz und extremen Temperaturen geschützten Ort.
- Lagern Sie die Säge außerhalb der Reichweite von Kindern und zu beaufsichtigenden Personen.

10. Technische Daten

- Akku Spannung: 18 V Li-Ion
- Leerlaufdrehzahl: 3200 min⁻¹
- Kettengeschwindigkeit: 4,7 m/s
- Total Schwertlänge: 179 mm
- Effektiv Schwertlänge: 150 mm
- Max. Schnitttiefe: 150 mm
- Produktgewicht ohne Zubehör: 1,4 kg
- Schalldruckpegel L_{pA}
 - Multisäge: 76,83 dB(A)
 - Schnittsäge (mit Verlängerungsstiel):. . . 72,20 dB(A)
- Unsicherheit K_{pA}: 3 dB(A)
- Schalleistungspegel L_{WA}
 - Multisäge: 87,83 dB(A)
 - Schnittsäge (mit Verlängerungsstiel):. . . 85,40 dB(A)

Unsicherheit K_{WA} :	3 dB(A)
Hand-Arm-Vibration Handgriff	
Multisäge:	1,486 m/s ²
Schnittsäge (mit Verlängerungsstiel)	
Vorderseite:	1,263 m/s ²
Rückseite:	0,852 m/s ²
Unsicherheit K :	1,5 m/s ²

10.1 Vibrationsstufe

Der angegebene Schwingungsgesamtwert und die angegebenen Geräuschemissionswerte sind nach einem genormten Prüfverfahren (EN 62841) gemessen worden und können zum Vergleich eines Elektrowerkzeugs mit einem anderen verwendet werden. Sie können auch zu einer vorläufigen Einschätzung der Belastung verwendet werden.

Warnung!

Die Schwingungs- und Geräuschemissionen können während der tatsächlichen Benutzung des Elektrowerkzeugs von den Angaben abweichen, abhängig von der Art und Weise, in der das Elektrowerkzeug verwendet wird, insbesondere, welche Art von Werkstück bearbeitet wird.

Es ist notwendig, Sicherheitsmaßnahmen zum Schutz des Bedieners festzulegen, die auf einer Abschätzung der Schwingungsbelastung während der tatsächlichen Nutzungsbedingungen beruhen (hierbei sind alle Anteile des Betriebszyklus zu berücksichtigen, beispielsweise Zeiten, in denen das Elektrowerkzeug abgeschaltet ist, und solche, in denen es zwar eingeschaltet ist, aber ohne Belastung läuft).

Versuchen Sie, die Belastung durch Vibrationen und Geräusche so gering wie möglich zu halten. Beispielhafte Maßnahmen zur Verringerung der Vibrationsbelastung sind das Tragen von Handschuhen beim Gebrauch des Werkzeugs, die Begrenzung der Arbeitszeit und das Einsatz von Zubehören in gutem Zustand.

11. Zubehör – optional erhältlich

Kette mit Titan-Beschichtung 7"	Artikel-Nr. 7064352
Schwert 7"	Artikel-Nr. 7064353
Schwert Schutz 7"	Artikel-Nr. 7064387
Verlängerungsstiel	Artikel-Nr. 7063826
18 V kettenschärfgerät	Artikel-Nr. 7063640

12. Entsorgung



Werter Kunde, bitte helfen Sie mit, Abfall zu vermeiden. Sollten Sie sich einmal von diesem Artikel

trennen wollen, so bedenken Sie bitte, dass viele seiner Komponenten aus wertvollen Rohstoffen bestehen und wiederverwertet werden können. Entsorgen Sie es daher nicht in die Mülltonne, sondern führen Sie es bitte Ihrer Sammelstelle für Wertstoffe zu.

12.1 Batterien

Denken Sie bei der Entsorgung von Batterien an den Umweltschutz. Wenden Sie sich zwecks einer umweltfreundlichen Entsorgung an die lokalen Behörden.

13. EG-Konformitätserklärung

Wir, die **Batavia B.V., Weth. Wassebaliestraat 6d, NL-7951 SN Staphorst**, erklären in alleiniger Verantwortung, dass das Produkt **Nexxaw, Artikel Nr. 7064322, Modell Nr. BT-NXS005** den wesentlichen Schutzanforderungen genügt, die in den Europäischen Richtlinien **2014/30/EU Elektromagnetische Verträglichkeit (EMV), 2006/42/EG Maschinen, RoHS: 2011/65/EU** und deren Änderungen festgelegt sind. Für die Konformitätsbewertung wurden folgende harmonisierte Normen herangezogen:

EN IEC 55014-1:2021

EN IEC 55014-2:2021

EN62841-1:2015

EN ISO 11680-1:2011

EN ISO 12100:2010

AfPS GS 2019:01

Staphorst, den 1. September 2022

Meino Seinen, Qualitätsbeauftragter
Batavia B.V., Weth. Wassebaliestraat 6d,
7951 SN Staphorst, Niederlande

Das Produkt und das Benutzerhandbuch können geändert werden. Die technischen Daten können ohne Vorankündigung geändert werden.

Cher client

Les manuels d'utilisation contiennent des consignes importantes pour la manipulation de votre nouveau produit. Ils vous permettent d'utiliser toutes les fonctions, d'éviter des erreurs de compréhension et de prévenir les dommages.

Veuillez lire le ci-joint « Consignes générales de sécurité pour appareils électriques » ainsi que toutes les consignes de sécurité supplémentaires contenues dans ce mode d'emploi!

Veuillez prendre le temps de lire tranquillement ce manuel d'utilisation et conservez-le jalousement pour une consultation ultérieure.

Batterie et chargeur non inclus!

Les batteries et chargeurs Maxxpack sont disponibles en ligne et dans les magasins participants.

1. Explication des symboles

Les symboles suivants sont utilisés dans le manuel d'utilisation ou apposés sur le produit :



AVERTISSEMENT : pour réduire les risques de blessures, veuillez lire le mode d'emploi.



Indique un risque de blessures, un danger mortel ou un risqué d'endommagement de l'outil en cas du non-respect des consignes de ce mode d'emploi.



Portez en permanence une protection auditive. L'exposition au bruit peut provoquer des pertes d'audition.



Portez des lunettes de protection. Les étincelles provoquées par le travail ou les éclats, les copeaux et les poussières provenant de l'appareil électrique peuvent entraîner la perte de la vue.



Portez un couvre-chef protecteur.



Porter des gants de sécurité.



Portez des chaussures solides.



Ne pas exposer à la pluie ou à l'eau.



Attention au rebond.



Gardez une distance suffisante par rapport aux lignes électriques.



CE est l'abréviation de "Conformité Européenne", ce qui signifie "conforme aux directives de l'Union Européenne". Le fabricant confirme par le marquage CE que cet appareil électrique correspond aux directives européennes en vigueur.



Ne jetez pas les équipements électriques avec les ordures ménagères.

2. Consignes de sécurité supplémentaires concernant la tronçonneuse Nexxaw

- La tronçonneuse Nexxaw est conçue pour couper du bois tendre. Utilisez uniquement la tronçonneuse Nexxaw pour couper le bois, comme il est indiqué dans ce manuel. L'équipement n'est pas conçu pour une utilisation continue et professionnelle.
- Tenez la tronçonneuse Nexxaw hors de la portée des enfants. Cet équipement n'est pas un jouet.
- La tronçonneuse Nexxaw n'est pas destinée à être utilisée par des personnes souffrant de handicaps physiques, sensoriels ou mentaux, sauf si elles sont supervisées ou ont reçu des instructions sur l'utilisation de l'équipement par la personne qui est responsable de leur sécurité.
- La tronçonneuse Nexxaw ne doit pas être utilisée par des enfants et des adolescents. Seuls les jeunes gens âgés de plus de 16 ans sont exclus de cette interdiction dans le cadre d'une formation assurée par un expert chargé de leur supervision.
- Veuillez respecter les symboles d'avertissement. Ils fournissent des instructions importantes en matière de sécurité. Le non-respect de ces mises en

- garde peut provoquer des blessures graves.
- f. La tronçonneuse Nexxsaw ne doit être utilisée que par une personne à la fois. Veillez à ce que les personnes présentes restent à l'écart de la zone de travail de la tronçonneuse Nexxsaw.
 - g. Avant chaque utilisation, vérifiez que les conditions d'utilisation en toute sécurité de la tronçonneuse Nexxsaw soient réunies, notamment en ce qui concerne le guide-chaîne et la chaîne.
 - h. Assurez-vous d'avoir une grande stabilité lorsque vous travaillez avec la tronçonneuse.
 - i. Tenez fermement et solidement l'équipement à sa mise en marche.
 - j. À la mise en marche, assurez-vous que le guide-chaîne et la chaîne soient libres et n'entrent pas en contact avec la pièce de bois à couper.
 - k. Tenez vos mains à l'écart de la zone de tronçonnage. N'entaillez pas au-delà de la pièce de bois. Tout contact avec la chaîne peut provoquer des blessures.
 - l. Dirigez la tronçonneuse vers la pièce de bois uniquement lorsqu'elle est mise en marche. Sinon, un rebond pourrait se produire si la chaîne reste bloquée dans la pièce de bois.
 - m. Lors du tronçonnage, le socle (plaque de base) doit toujours faire face à la pièce de bois. La chaîne peut s'encastrier et entraîner une perte de contrôle de l'équipement.
 - n. À la fin du tronçonnage, arrêtez l'équipement, puis retirez la chaîne de la pièce de bois uniquement une fois à l'arrêt. De cette manière, vous éviterez tout rebond.
 - o. Serrez le matériau pour bien le traiter. Ne retenez pas la pièce de bois avec votre main ou votre pied. Ne touchez pas les objets ou le sol avec la tronçonneuse en marche. Danger de rebond.
 - p. Lorsque vous tronçonnez du bois débité et des branches minces, utilisez toujours un support ferme (par ex. un chevalet de sciage). N'empilez pas des pièces de bois.
 - q. Avant tronçonnage, maintenez les buches solidement en place.
 - r. Lorsque vous travaillez sur un sol en pente, assurez-vous de travailler en faisant face vers le haut.
 - s. Faites particulièrement attention lorsque vous coupez des éclisses de bois. Les éclisses de bois peuvent être déchiquetées par la chaîne et augmenter le risque de blessure !
 - t. Des objets étrangers, tels que clous, vis, pièces métalliques, sable, etc. peuvent accélérer l'usure du guide-chaîne et de la chaîne.
 - u. Une chaîne émoussée peut provoquer une surchauffe et endommager le moteur.
 - v. Retirez toujours la batterie lorsque vous vérifiez la tension de la chaîne, pour la retendre, la mettre en place et pour éliminer les défauts ! Retirez également la batterie si vous n'utilisez pas temporairement l'équipement.
- ### 3. Consignes de sécurité concernant la chaîne de tronçonneuse
- a. **Tenez votre corps à l'écart de la chaîne quand elle est en marche. Avant de démarrer la tronçonneuse, assurez-vous qu'elle ne touche rien.**
Toute inattention lors de l'utilisation de la tronçonneuse peut engendrer un risque d'emmêlement de vos vêtements ou de votre corps avec la chaîne.
 - b. **Tenez la tronçonneuse uniquement par les surfaces de prise isolées, car la chaîne peut entrer en contact avec un câblage caché.** Si la chaîne entre en contact avec un câble sous tension, les pièces métalliques de la tronçonneuse seront également exposées à une tension dangereuse et l'opérateur encourra un risque d'électrocution.
 - c. **Il est recommandé de porter des lunettes et des équipements supplémentaires pour protéger votre ouïe, votre tête, vos mains, vos jambes et vos pieds.** Un équipement de protection approprié permet de réduire les blessures personnelles provoquées par la projection de débris ou un contact

accidentel avec la chaîne de tronçonneuse.

- d. **Veillez à toujours vous tenir correctement et à utiliser la tronçonneuse uniquement si vous trouvez sur une surface fixe, sûre et plane.** Les surfaces instables et glissantes peuvent entraîner une perte d'équilibre ou de contrôle de la tronçonneuse.
- e. **Lorsque vous coupez une branche qui est sous tension, faites très attention à l'effet de ressort.** Lorsque les fibres de bois se détendent, la branche sous tension peut venir frapper l'opérateur ou mettre la tronçonneuse hors de contrôle.
- f. **Soyez d'une extrême prudence lors du tronçonnage de broussailles et de jeunes arbres.** Le matériau fin peut bloquer la chaîne, vous fouetter ou vous déséquilibrer.
- g. **Portez la tronçonneuse par la poignée à l'arrêt et loin de votre corps. Lors du transport ou du stockage de la tronçonneuse, remplacez toujours le cache du guide-chaîne.** Une manipulation correcte de la tronçonneuse réduira les risques d'un contact accidentel avec la chaîne en mouvement.
- h. **Suivez les instructions pour la lubrification, la tension de la chaîne et le remplacement de la chaîne et du guide-chaîne.** Une chaîne non suffisamment tendue ou lubrifiée peut soit se casser, soit augmenter le risque de rebond.
- i. **Ne coupez que du bois. N'utilisez pas la tronçonneuse pour des fins autres que celles prévues. Par exemple : n'utilisez pas la tronçonneuse pour couper métal, plastique ou matériaux de maçonnerie et non ligneux.** L'utilisation de la tronçonneuse pour des fins autres que celles prévues peut entraîner une situation de danger.
- j. **Cette tronçonneuse ne doit pas être utilisée pour l'abattage d'arbres.** L'utilisation de la tronçonneuse pour des fins autres que celles prévues peut entraîner des blessures graves pour l'opérateur ou les personnes présentes.

- k. **Suivez toutes les instructions lors du dégagement du matériau coincé, du stockage ou de l'entretien de la scie. Assurez-vous que l'interrupteur est éteint et que la batterie est retirée.**

L'actionnement inattendu de la scie lors du dégagement d'un matériau coincé ou lors de l'entretien peut entraîner des blessures graves.

- N'utilisez pas une tronçonneuse dans un arbre, sur une échelle, depuis un toit ou sur tout support instable. L'utilisation d'une tronçonneuse de cette manière peut entraîner des blessures graves.
- Respectez toutes les instructions lors du nettoyage de la végétation coincée, de l'entreposage ou de l'entretien de l'élagueuse sur perche. Assurez-vous que l'interrupteur est en position d'arrêt et que le bloc batterie est retiré. Un démarrage inattendu de l'élagueuse sur perche lors du nettoyage de la végétation coincée ou de l'entretien peut entraîner des blessures corporelles graves.
- Adoptez une position confortable et ne coupez pas au-dessus de la hauteur de votre épaule. Ceci permet d'éviter un contact accidentel du bout de la chaîne et d'obtenir un meilleur contrôle de la tronçonneuse dans des situations inattendues.

4. Causes et prévention des risques de rebond par l'opérateur

Un rebond peut se produire quand l'avant ou la pointe du guide-chaîne touche un objet ou quand le bois bloque ou serre la chaîne au moment du tronçonnage.

Un contact avec la pointe peut provoquer dans certains cas une réaction inverse brusque, en repoussant le guide-chaîne vers l'opérateur.

Un serrage de la chaîne le long de la partie supérieure du guide-chaîne peut repousser rapidement le guide-chaîne vers l'opérateur. Toutes ces réactions peuvent provoquer une perte de contrôle de la tronçonneuse pouvant entraîner des blessures personnelles graves. Ne vous fiez pas totalement

aux dispositifs de sécurité intégrés à la tronçonneuse. En tant qu'utilisateur de la tronçonneuse, vous devez prendre toutes les mesures nécessaires pour éviter tout accident ou toute blessure lors des travaux de tronçonnage.

(Voir **figure B**). Un rebond est le résultat d'une mauvaise utilisation de la tronçonneuse, de procédures ou de conditions d'utilisation incorrectes, et peut être évité en prenant les précautions nécessaires, comme suit :

- a. **Tenez fermement la tronçonneuse avec vos deux mains, en plaçant vos pouces et vos doigts autour des poignées de la tronçonneuse ; positionnez votre corps et vos bras de manière à résister aux chocs en retour.** L'utilisateur peut contrôler les chocs en retour s'il prend les précautions nécessaires. Ne lâchez pas la tronçonneuse.
- b. **Ne vous penchez pas trop en avant, et ne coupez pas plus haut que la hauteur des épaules.** Ceci permet d'éviter un contact accidentel de l'extrémité du guide-chaîne avec un objet et de mieux maîtriser la tronçonneuse dans les situations imprévues.
- c. **Utilisez exclusivement les guides-chaînes et les chaînes de rechange spécifié(e)s par le fabricant.** L'utilisation d'un guide-chaîne ou d'une chaîne de rechange inadaptés peut causer la rupture de la chaîne et/ou un choc en retour.
- d. **Suivez les instructions du fabricant concernant l'affûtage et l'entretien de la chaîne.** Réduire la hauteur du limiteur de profondeur augmente le risque de choc en retour.

5. Avant la première utilisation

Retirez la machine et les accessoires de l'emballage. Conservez les matériaux d'emballage hors de la portée des enfants. Il y a un risque d'étouffement !

6. Contenus de l'emballage

1x Nexxsaw

1x Cache de protection du guide-chaîne

1x Clé de réglage fournie

1x Manuel d'instructions

7. Utilisation prévue

- La tronçonneuse Nexxsaw est exclusivement conçue pour couper des branches. Cette tronçonneuse n'est pas conçue pour une utilisation commerciale continue. L'utilisation prévue comprend également une utilisation conforme au mode d'emploi.
- En combinaison avec la perche d'extension, la tronçonneuse Nexxsaw peut être utilisée comme élagueur pour couper des branches.
- Toute utilisation en dehors de ces paramètres (différents milieux, application de la force) ou toute modification (reconstruction, pas d'accessoire d'origine) peut entraîner des risques graves et est considérée comme une utilisation contraire à l'usage auquel elle est destinée.

8. Utilisation

8.1 Montage de la chaîne de tronçonneuse

(Voir **figure C, D et E**).

Portez toujours des gants lorsque vous manipulez la chaîne.

- a. Dévissez la vis à tête **(16)** dans le sens antihoraire afin de retirer le couvercle de pignon **(17)**.
- b. Retirez le guide-chaîne de la machine et passez la chaîne autour de lui. Veuillez noter le sens de rotation de la chaîne. Une icône indiquant le bon sens est marquée sur le couvercle.
- c. Placez la chaîne sur le pignon **(20)** et replacez le guide-chaîne avec la vis de réglage de chaîne **(19)**.
- d. À l'aide de la burette à huile, lubrifiez la chaîne et le pignon.
- e. Serrez légèrement la chaîne avec la vis de réglage de la chaîne **(7)**, à l'aide de la clé de réglage fournie **(12)**. Pour serrer, tournez la vis dans le sens horaire.
- f. Resserrez le couvercle de pignon **(17)** avec la vis à tête **(16)** sur le boîtier.

8.2 Lubrification

La chaîne de scie doit être lubrifiée lorsque l'outil est en marche.

- Vérifiez la quantité d'huile restante dans le réservoir d'huile à travers la fenêtre d'inspection d'huile **(21)**.
- Appuyez légèrement sur le bouton d'alimentation en huile **(2)** pour lubrifier la chaîne.

8.3 Pour remplir le réservoir d'huile :

- Retirer la batterie de la machine.
- Retirez le bouchon du réservoir d'huile **(9)** de l'ouverture du réservoir d'huile.
- Remplir le réservoir d'huile.
- Après avoir rempli le réservoir, vissez toujours le bouchon du réservoir d'huile fourni sur la tronçonneuse.

MISE EN GARDE:

- Utilisez uniquement des huiles de chaîne biodégradables disponibles dans le commerce.
- Ne pas utiliser d'huile moteur, d'huile usée ou d'autres huiles minérales.
- N'utilisez jamais d'huile contenant de la poussière et des particules ou de l'huile volatile.
- Si la scie fait un bruit de cliquetis, la chaîne doit être lubrifiée.

Graissez régulièrement la chaîne du Nexx-saw avec de l'huile biodégradable.

8.4 Réglage de la tête de coupe

(Voir **figure. F**).

La hauteur de coupe de la Nexx-saw peut être réglée en adaptant la tête de coupe :

Attention ! Portez des gants de protection.

- Retirez la batterie de l'équipement.
- Appuyez sur le bouton de déverrouillage **(3b)**.
- Tournez la molette **(3a)** dans le sens horaire pour régler la tête de coupe.
- Réglez la tête de coupe à la position désirée.
- Tournez la molette **(3a)** dans le sens antihoraire jusqu'à la position de départ. Assurez-vous ensuite que le bouton de déverrouillage 1 s'enclenche en émettant un dé clic.

FAIRE ATTENTION: Si le bouton de déverrouillage **(3b)** ne s'enclenche pas correctement, l'équipement ne démarrera pas, il sert de sécurité supplémentaire.

8.5 Réglage de la tension de la chaîne de tronçonneuse

(Voir **figure C**).

AVERTISSEMENT : ne serrez pas excessivement la chaîne. Une tension excessivement élevée de la chaîne peut provoquer la rupture de la chaîne et du pignon, ainsi que l'usure du guide-chaîne.

AVERTISSEMENT : une chaîne trop détendue peut sortir du guide-chaîne.

La chaîne peut devenir lâche après d'utilisation. Vérifiez régulièrement la tension de la chaîne avant chaque utilisation.

- a. Retirez la batterie.
- b. Desserrez un peu la vis à tête **(16)** pour libérer légèrement le couvercle de pignon.
- c. Ajustez la tension de la chaîne. Tournez la vis à tête de la chaîne **(7)** dans le sens horaire pour serrer et dans le sens antihoraire pour desserrer. Serrez la chaîne de sorte que l'écart entre le centre du côté inférieur du guide-chaîne et la chaîne soit d'environ 3 à 4 mm.
- d. Serrez la vis à tête **(16)** pour fixer le couvercle de pignon.

8.6 Allumer et éteindre

L'utilisation de la tronçonneuse Nexx-saw sans lubrification endommagera la chaîne et le guide-chaîne.

- a. Insérez la batterie dans le renforcement du logement de batterie.
- b. Tenez la tronçonneuse Nexx-saw fermement et en toute sécurité par la poignée.
- c. Pour allumer la tronçonneuse Nexx-saw, appuyez sur l'interrupteur de sécurité **(1)**.
- d. Appuyez sur le bouton marche/arrêt **(10)**.
- e. Pour éteindre la tronçonneuse, relâchez le bouton marche/arrêt.

8.7 Temps d'adaptation pour une nouvelle chaîne de tronçonneuse

- a. Retirez la batterie et ajustez la tension de la chaîne.
- b. Allumez la tronçonneuse Nexxsaw et laissez le moteur tourner à vide pendant environ 5 minutes.
- c. Retirez la batterie et revérifiez la tension de la chaîne. Le cas échéant, resserrez la chaîne.
- d. Après quoi, faites uniquement de petites coupes pendant environ 30 minutes. Veillez à ce que la chaîne soit toujours bien lubrifiée ! Utilisez uniquement la tronçonneuse Nexxsaw pour des coupes plus lourdes et plus profondes une fois le rodage effectué.
 - Utilisez uniquement des chaînes affûtées. Des chaînes émoussées peuvent se bloquer plus facilement. Vérifiez la tension de la chaîne plus fréquemment lorsque vous travaillez avec une nouvelle chaîne, car cette dernière s'étend plus facilement au début.
 - La durée de vie d'une chaîne dépend d'une bonne lubrification et d'une tension correcte.
 - Lors du fonctionnement, la chaîne s'échauffe et il sera nécessaire de la retendre. Relâchez la chaîne après utilisation de sorte qu'elle ne soit pas trop tendue lors de la prochaine utilisation de l'équipement à froid.
 - Ne retendez pas une chaîne qui est devenue trop chaude. Une fois refroidie, elle peut se contracter et être trop serrée contre la lame. Attendez que la chaîne refroidisse avant de la retendre.
 - La tension de la chaîne est importante pour votre sécurité et le fonctionnement de l'équipement. Une chaîne correctement tendue prolonge la durée de vie de l'équipement.
 - Vérifiez la tension de la chaîne avant chaque utilisation.
 - La chaîne est correctement tendue s'il est possible de la pousser contre la lame avec la main (portez obligatoirement des gants) sans fléchissement.
 - Avec une nouvelle chaîne, vous devez réajuster sa tension après une courte période de fonctionnement.

8.8 Consignes de travail

- Ne dépassez jamais le capot de protection **(4)** ou le socle **(8)**. Risqué de blessure !
- Ne procédez pas au tronçonnage si la chaîne est en contact avec ou dans la pièce de bois, ou vous risquez d'heurter un objet. Vous pourriez vous procurer des blessures graves.
- Immobilisez les pièces de bois avant de les couper. Éliminez tout objet étranger (clous, vis, etc.).
- Lorsque vous coupez une branche qui est sous tension, faites très attention à l'effet de ressort. Lorsque les fibres de bois se détendent, la branche sous tension peut venir frapper l'opérateur ou mettre la tronçonneuse Nexxsaw hors de contrôle.
- Soyez d'une extrême prudence lors du tronçonnage de broussailles et de jeunes arbres. Le matériau fin peut bloquer la chaîne, vous fouetter ou vous déséquilibrer.
- Lorsque la chaîne est en marche, placez tout d'abord le socle **(8)** sur la surface de la pièce de bois et laissez la tronçonneuse couper d'elle-même. Appliquez seulement une légère pression sur la tronçonneuse. La vitesse de la chaîne ne doit pas être beaucoup plus lente.

8.9 Remplacement de la chaîne de tronçonneuse

- Manipulez la chaîne uniquement avec des gants et retirez tout d'abord la batterie !
- Examinez la chaîne et le guide-chaîne pour des dommages ou des signes d'usure.
- Ne placez jamais une nouvelle chaîne sur un guide-chaîne usé.
- Effectuez d'abord un rodage avec chaque nouvelle chaîne !
- Au moment de monter la chaîne, respectez le sens de marche !

8.10 Rebond

- La forme du capot de protection **(4)** écarte largement le risque de rebond.
- La scie est protégée efficacement contre le rebond par le capot de protec-

tion muni d'un embout de protection. Ne retirez jamais le capot de protection (4). Risque de blessures.

8.11 Affûtage de la chaîne de tronçonneuse

- Les dents de la chaîne doivent être affûtées si la sciure devient poudreuse, si une force accrue est nécessaire pour l'incision, si une incision droite n'est plus possible ou si les vibrations deviennent plus fortes.
- Une chaîne de tronçonneuse émoussée doit être réaffûtée.
- Pour l'affûtage, utilisez un affûteur de chaîne. Veillez à affûter la chaîne à un angle de 30°.
- Sinon, confiez l'affûtage de la chaîne à un professionnel (conseillé).
- Remplacez la chaîne si les dommages semblent irréversibles.

8.12 Nettoyage du guide-chaîne

(voir figure G).

- Nettoyez soigneusement la rainure du guide-chaîne.
- Remplacez le guide-chaîne si sa rainure est endommagée ou usée et si la chaîne de tronçonneuse présente un espace latéral excessif.

9. Entretien, nettoyage et rangement

Pour des performances optimales, gardez la chaîne et la tronçonneuse Nexxsaw dans un bon état. Retirez le bloc batterie de l'outil avant d'effectuer un réglage, l'entretien ou la maintenance.

- Nettoyez la zone du pignon avec une brosse ou de l'air comprimé. (Voir figure H).
- Utilisez un chiffon, un pinceau ou une brosse pour éliminer la poussière et les éclats de bois. Gardez toujours les fentes de ventilation propres et exemptes d'obstructions.
- Nous vous recommandons de nettoyer immédiatement votre outil électrique après chaque utilisation.
- Nettoyez régulièrement l'outil électrique avec un chiffon humide et un peu de savon doux. N'utilisez pas des net-

toyants ou matériaux solvants, car ils peuvent attaquer les composants plastiques de l'appareil. Veillez à ce qu'aucune eau ne puisse pénétrer à l'intérieur de l'outil électrique.

- Ne laissez pénétrer aucun liquide d'aucune sorte dans la tronçonneuse Nexxsaw.
- De temps en temps, vérifiez que toutes les vis sont solidement serrées.
- Rangez la tronçonneuse Nexxsaw et les accessoires à l'intérieur dans un endroit sec, à l'abri de la poussière, de la saleté et des températures extrêmes.
- Rangez la tronçonneuse Nexxsaw hors de la portée des enfants et des personnes ayant besoin de surveillance.

10. Caractéristiques techniques

Tension de la pile : 18 V lithium-ion

Vitesse à vide : 3200 min⁻¹

Vitesse de la chaîne à vide : 4,7 m/s

Longueur totale de la lame : 179 mm

Longueur effective de la lame : 150 mm

Profondeur de coupe max. : 150 mm

Poids du produit

sans les accessoires : 1,4 kg

Niveau de pression acoustique L_{PA}

Scie multi : 76,83 dB(A)

Scie d'élagage

(avec poignée d'extension) : 72,20 dB(A)

Incertitude K_{PA} : 3 dB(A)

Niveau de puissance acoustique L_{WA}

Scie multi : 87,83 dB(A)

Scie d'élagage

(avec poignée d'extension) : 85,40 dB(A)

Incertitude K_{WA} : 3 dB(A)

Vibration mains/bras

Scie multi : 1,486 m/s²

Scie d'élagage (avec poignée d'extension)

De face : 1,263 m/s²

Arrière : 0,852 m/s²

Incertitude K : 1,5 m/s²

10.1 Niveau de vibrations

Le niveau de vibrations émises indiqué en ce manuel d'instruction a été mesuré conformément à l'essai normalisé de la norme EN 60745; il peut être utilisé pour comparer plusieurs outils et pour réaliser

une évaluation préliminaire de l'exposition aux vibrations lors de l'utilisation de l'outil pour les applications mentionnées

- l'utilisation de l'outil dans d'autres applications, ou avec des accessoires différents ou mal entretenus, peut considérablement augmenter le niveau d'exposition
- la mise hors tension de l'outil et sa non-utilisation pendant qu'il est allumé peuvent considérablement réduire le niveau d'exposition

Protégez-vous contre les effets des vibrations par un entretien correct de l'outil et de ses accessoires, en gardant vos mains chaudes et en structurant vos schémas de travail.

11. Accessoires – disponibles en option

Chaîne à revêtement en titane 7»

..... N° d'article 7064352

Guide-chaîne 7» N° d'article 7064353

Cache de protection de guide-chaîne 7»

..... N° d'article 7064387

Perche d'extension . . N° d'article 7063826

18V Chain Sharpener . N° d'article 7063640

12. Élimination et recyclage



N'éliminez pas les appareils électriques via les ordures ménagères.

L'appareil électrique se trouve dans un emballage afin d'éviter tout dommage pendant le transport. Cet emballage est une matière première et peut donc être réutilisé ultérieurement ou être réintroduit dans le circuit des matières premières. L'appareil électrique et ses accessoires sont composés de plusieurs matériaux, par exemple des métaux et des matières plastiques. Éliminez les composants défectueux via les systèmes d'élimination des déchets spéciaux. Renseignez-vous dans un magasin spécialisé ou auprès de l'administration de votre commune!

12.1 Batteries

Lors de l'élimination des batteries, pensez à la protection de l'environnement. Pour une élimination écologique, adressez-vous aux autorités locales.

13. CE-Déclaration de conformité

Nous, **Batavia B.V., Weth. Wassebaliestraat 6d, NL-7951 SN Staphorst**, déclarons sous notre seule responsabilité que le produit **Nexxsaw, N° d'article: 7064322, modèle BT-NXS005**, satisfait les principales exigences de protection définies dans les directives européennes **compatibilité électromagnétique 2014/30/EU (CEM), 2006/42/CE (machines), RoHS: 2011/65/EU** ainsi que les modifications y apportées. Pour évaluer la conformité nous avons eu recours aux normes harmonisées ci-dessous:

EN IEC 55014-1:2021

EN IEC 55014-2:2021

EN62841-1:2015

EN ISO 11680-1:2011

EN ISO 12100:2010

AfPS GS 2019:01

Staphorst, le 1 septembre 2022

Meino Seinen, Responsable de qualité
Batavia B.V., Weth. Wassebaliestraat 6d,
7951 SN Staphorst, Pays-Bas

Le produit et le manuel utilisateur peuvent être modifiés. Les caractéristiques techniques peuvent être modifiées sans préavis.

Geachte klant

Gebruikershandleidingen verstrekken nuttige tips m.b.t. gebruik van uw nieuwe apparaat. Ze helpen u alle functies te gebruiken, misverstanden te voorkomen en beschadiging te vermijden. Neem de tijd deze handleiding zorgvuldig te lezen en bewaar het als naslagwerk.

Lees alstublieft de los bijgevoegde "Algemene veiligheidsvoorschriften voor elektrisch gereedschap" en alle aanvullende veiligheidsinstructies in deze gebruiksaanwijzing!

Deze handleiding bevat belangrijke informatie over het bedienen en hanteren van het apparaat. Bewaar deze gebruiksaanwijzing voor verdere verwijzing. Gelieve het samen met het toestel door te geven als deze aan derden wordt overhandigd.

Batterij en oplader niet inbegrepen.

De Maxxpack accu's en opladers zijn online en in deelnemende winkels verkrijgbaar.

1. Uitleg van de symbolen

De volgende symbolen worden gebruikt in de gebruikershandleiding of op het product:



WAARSCHUWING – Lees de gebruiksaanwijzing om het risico op letsel te verminderen.



Gevaar voor lichamelijk letsel of materiële schade wanneer de instructies in deze handleiding niet worden opgevolgd.



Draag altijd gehoorbescherming. Blootstelling aan lawaai kan leiden tot gehoorbeschadiging.



Draag een veiligheidsbril. Vonken die tijdens het werk ontstaan, of van de machine afkomstige splinters, spaanders en stof kunnen leiden tot oogbeschadiging.



Draag een beschermend hoofddeksel.



Draag veiligheidshandschoenen.



Draag stevige schoenen.



Stel het apparaat niet bloot aan regen of water.



Pas op voor terugslag.



Houd voldoende afstand tot elektrische leidingen.



CE staat voor: „Conformité Européenne”. Dit betekent: „Voldoet aan EU-richtlijnen”. Met de CE-markering bevestigt de fabrikant dat deze machine voldoet aan de geldende Europese richtlijnen.



De machine mag niet worden afgevoerd met het huishoudelijk afval.

2. Aanvullende veiligheidsinstructies voor de Nexxsaw

- De Nexxsaw is ontworpen voor het zagen van zacht hout. Gebruik de Nexxsaw alleen voor het zagen van hout zoals vermeld in deze handleiding. De machine is niet ontworpen voor continue, professioneel gebruik.
- Houd the Nexxsaw buiten bereik van kinderen. Het is geen speelgoed.
- Personen met beperkte fysieke-, zintuiglijke- of geestelijke vermogens mogen de Nexxsaw niet gebruiken, tenzij ze voor hun veiligheid onder toezicht staan van een gekwalificeerde persoon of door de verantwoordelijke persoon zijn geïnstrueerd hoe ze het apparaat moeten gebruiken.
- Kinderen en tieners mogen de Nexxsaw niet gebruiken. Jongeren ouder dan 16 jaar onder die voor een opleidingsdoel worden begeleid door een deskundige zijn uitgesloten van dit verbod.
- Let op de waarschuwingssymbolen. Deze markeren alle instructies die belangrijk zijn voor de veiligheid. Als u deze instructies niet in acht neemt kan dit leiden tot ernstig letsel!
- De Nexxsaw mag slechts door één persoon tegelijk worden gebruikt. Zorg ervoor dat omstanders wegblijven uit de nabijheid van de Nexxsaw-werkplek.

- g. Controleer altijd de veilige bedrijfstoestand van de Nexxsaw voordat u ermee aan het werk gaat, in het bijzonder de zaagbladgeleider en de zaagketting.
- h. Zorg ervoor dat u altijd een veilige houding hebt tijdens het werken met de zaag.
- i. Houd de machine stevig en veilig vast wanneer u deze inschakelt.
- j. Let er op dat de zaagbladgeleider en de zaagketting vrij zijn wanneer de machine wordt ingeschakeld en niet in aanraking zijn met het werkstuk dat moet worden gezaagd.
- k. Houd uw handen uit de buurt van het zaaggebied. Grijp niet onder het werkstuk. Het aanraken van de zaagketting kan resulteren in letsel.
- l. Breng de Nexxsaw alleen met het werkstuk in contact alleen wanneer deze draait. Anders bestaat het gevaar van terugslag wanneer de zaagketting in het werkstuk grijpt.
- m. Tijdens het zagen moet de basisplaat altijd tegen het werkstuk drukken. De zaagketting kan vastlopen en dat kan er toe leiden dat u de controle over de machine verliest.
- n. Zet de machine uit wanneer de zaagsnede klaar is en trek de zaagketting vervolgens pas uit de zaagsnede wanneer de machine tot stilstand is gekomen. Op deze manier kunt u een terugslag voorkomen.
- o. Klem het te bewerken materiaal goed vast. Ondersteun het werkstuk niet met uw hand of voet. Raak geen voorwerpen of de vloer aan met een draaiende zaag. Er bestaat het gevaar van terugslag.
- p. Gebruik tijdens het zagen van gevormd hout en dunne takken en altijd een sterke ondersteuning, zoals een zaagschraag. Stapel geen stukken hout op elkaar.
- q. Zet stammen vóór het zagen vast.
- r. Zorg er bij het werken op hellingen voor dat u naar boven kijkt en werkt.
- s. Wees vooral voorzichtig bij het zagen van versplinterd hout. Door de zaagketting kunnen houtsplinters worden mee-
gesleurd die het risico op letsel verhogen!
- t. Vreemde voorwerpen zoals spijkers, schroeven, metalen onderdelen, zand enz. leiden tot verhoogde slijtage van de zaagbladgeleider en zaagketting.
- u. Een botte zaagketting kan leiden tot oververhitting en schade aan de motor veroorzaken.
- v. Haal altijd de accu eruit bij het controleren van de kettingspanning, om deze opnieuw vast te zetten, om de zaagketting te monteren en om storingen te verhelpen! Haal de accu er ook uit als u het apparaat tijdelijk niet gebruikt.

3. Veiligheidsinstructies voor kettingzagen

- a. **Houd alle lichaamsdelen uit de buurt van de zaagketting wanneer deze in bedrijf is. Zorg ervoor, voordat u de zaag aanzet, dat de zaagketting niets aanraakt.** Eén moment van onoplettendheid tijdens het gebruik van de zaag kan ertoe leiden dat de zaagketting vastgrijpt in uw kleding of lichaam.
- b. **Houd de zaag alleen maar vast aan de geïsoleerde grijpvlakken, want de zaagketting kan misschien in aanraking komen met verborgen bedrading.** Als kettingzagen contact maken met een "onder spanning staande" draad kan dit er toe leiden dat blootgestelde metalen onderdelen van de zaag "onder spanning" komen te staan waardoor de gebruiker een elektrische schok kan krijgen.
- c. Draag oogbescherming. Andere beschermende uitrusting voor het gehoor, hoofd, handen, benen en voeten wordt aanbevolen. Adequate beschermingsmiddelen verminderen persoonlijk letsel door rondvliegende brokstukken of onbedoeld contact met de zaagketting.
- d. Zorg dat u altijd stevig staat en gebruik de zaag alleen als u op een vaste, veilige en vlakke ondergrond staat. Een gladde of onregelmatige ondergrond kan leiden tot verlies van het evenwicht of de controle over de zaag.

- e. Wees alert op het terugveren van een tak die onder spanning staat. Wanneer de spanning in de houtvezels wordt opgeheven, kan de onder spanning staande tak de gebruiker raken en/of de zaag uit de hand slaan.
- f. **Wees uiterst voorzichtig bij het zagen van struikgewas en jonge boompjes.** Het ranke materiaal kan in de zaagketting vastgrijpen en dit naar u toe slaan of u uit balans brengen.
- g. **Draag de zaag bij de handgreep met de zaag uitgeschakeld en weggedraaid van het lichaam. Breng tijdens transport of opslag van de zaag altijd de kap van de zaagbladgeleider aan.** Correcte omgang met de zaag vermindert de kans op onbedoeld contact met de bewegende zaagketting.
- h. **Volg de instructies voor het smeren, ketting spannen en vervangen van de geleider en ketting.** Een verkeerd gespannen of gesmeerde ketting kan breken of de kans op terugslag vergroten.
- i. **Zaag uitsluitend hout. Gebruik de zaag niet voor doeleinden waarvoor deze niet is bedoeld. Bijvoorbeeld: gebruik de zaag niet voor het zagen van metaal, kunststof, metselwerk of bouwmaterialen die niet van hout zijn.** Als u de zaag op een andere wijze dan bedoeld gebruikt, dan kan dat resulteren in een gevaarlijke situatie.
- j. **Deze zaag is niet bestemd voor het omzagen van bomen.** Als de zaag op een andere wijze dan bedoeld wordt gebruikt, dan kan dit leiden tot ernstig letsel bij de persoon die de zaag hanteert en bij omstanders.
- k. **Volg alle instructies bij het verwijderen van vastgelopen materiaal, opslag of onderhoud van de zaag. Zorg ervoor dat de schakelaar uit staat en dat de batterij is verwijderd.** Onverwachte activering van de zaag tijdens het verwijderen van vastgelopen materiaal of onderhoud kan leiden tot ernstig persoonlijk letsel.
 - Gebruik een kettingzaag niet in een boom, op een ladder, vanaf een dak of

op een onstabiele ondersteuning. Het op deze manier gebruiken van een kettingzaag kan tot ernstig letsel leiden.

- Volg alle instructies bij het verwijderen van vastgelopen materiaal, het opbergen of onderhouden van de kettingzaag. Zorg ervoor dat de schakelaar uit staat en dat de accu is verwijderd. Onverwachte bediening van de kettingzaag tijdens het verwijderen van vastgelopen materiaal of bij onderhoud kan leiden tot ernstig persoonlijk letsel.
- Reik niet te ver en zaag niet boven schouderhoogte. Dit voorkomt ongewild contact met de punt en zorgt ervoor dat u de kettingzaag in onverwachte situaties beter onder controle kunt houden.

4. Oorzaken en voorkomen van terugslag

Terugslag kan optreden wanneer de neus of punt van de zaagbladgeleider een object raakt, of wanneer het hout dichtknijpt en de zaagketting in de zaagsnede klem komt te zitten.

Wanneer de punt van de zaagbladgeleider een object raakt kan dit een terugslag-reactie veroorzaken, waardoor het zaagblad omhoog schiet en terug in de richting van de bediener wordt geslagen.

Als de zaagketting langs de bovenkant van de zaagbladgeleider vast knijpt, kan de zaagbladgeleider ineens in de richting van de gebruiker terug worden geduwd. Al deze reacties kunnen ertoe leiden dat u de controle over de zaag verliest, hetgeen kan leiden tot ernstig persoonlijk letsel. Vertrouw niet uitsluitend op de veiligheidsvoorzieningen die in uw zaag zijn ingebouwd. Als gebruiker van de zaag moet u verschillende stappen ondernemen om ervoor te zorgen dat uw zaagklussen vrij blijven van ongevalen of letsel.

(Zie **Fig. B**). Terugslag is het gevolg van verkeerd gebruik van de zaag en/of onjuiste bedieningsprocedures of -omstandigheden en kan worden voorkomen door de volgende voorzorgsmaatregelen te nemen:

- e. **Houd de kettingzaag stevig met beide handen vast, met uw duimen en vin-**

gers rondom de handgrepen van de kettingzaag, en positioneer uw lichaam en armen zodanig dat u een eventuele terugslag kan opvangen. De kracht van een terugslag kan worden opgevangen door de gebruiker mits de juiste voorzorgsmaatregelen zijn getroffen. Laat de kettingzaag nooit los.

- f. Reik niet te ver en zaag nooit boven schouderhoogte.** Dit helpt te voorkomen dat de punt van het zaagblad per ongeluk iets raakt en biedt een betere controle over de kettingzaag in onverwachte situaties.
- g. Gebruik bij het vervangen van het zaagblad of de zaagketting uitsluitend onderdelen die zijn opgegeven door de fabrikant.** Vervanging door een verkeerd zaagblad of zaagketting kan ertoe leiden dat de zaagketting breekt en/of het zaagblad terugslaat.
- h. Volg de instructies van de fabrikant over het slijpen en onderhouden van de zaagketting.** Het verlagen van de hoogte van de dieptevoeler kan leiden tot meer terugslag.

5. Voor het eerste gebruik

Haal de machine en de accessoires uit de verpakking. Controleer de machine op transportschade en gebruik de machine niet in geval van schade. Houd het verpakkingsmateriaal uit de buurt van kinderen, risico op verstikking!

6. Inhoud van de verpakking

- 1× Nexxsaag
- 1× Zaagbladbeschermer
- 1× Stelsleutel
- 1× Gebruiksaanwijzing

7. Beoogd gebruik

- De Nexxsaag is exclusief ontworpen voor het zagen van takken.
- Het apparaat is uitsluitend bedoeld voor particulier gebruik en niet geschikt voor beroepsmatig gebruik.
- Gebruik het apparaat alleen zoals in de gebruiksaanwijzing is beschreven.

- In combinatie met de verlengsteel kan de Nexxsaag worden gebruikt als snoeischaar voor het snoeien van takken.
- Gebruik buiten deze parameters (andere media, het toepassen van kracht) of wijzigingen (reconstructie, geen originele accessoires) kan leiden tot ernstige risico's en wordt beschouwd als gebruik dat tegenstrijdig is met het beoogde doel.

8. Bediening

8.1 De zaagketting monteren

(Zie Fig. C, D, E).

Draag altijd handschoenen bij het hantieren van de zaagketting.

- a. Draai de vleugelmoer (16) linksom om de kettingwielkap (17) te verwijderen.
- b. Haal het zaagblad van de machine af en leg de zaagketting er omheen. Let op de looprichting van de zaagketting. Het zaagkettingpictogram staat op de kap.
- c. Leg de ketting tevens om het tandwiel (20) en plaats het zaagblad terug op de kettingstelschroef pin (19).
- d. Gebruik kettingzaagolie om de zaagketting en het tandwiel te smeren.
- e. Span de zaagketting voorzichtig aan met kettingstelschroef (7). Gebruik de meegeleverde stelsleutel (12) om de schroef te draaien, draai rechtsom om aan te spannen.
- f. Plaats de kettingwielkap (17) terug en zet deze met vleugelmoer (16) weer vast op de behuizing.

8.2 Smering

De zaagketting moet worden gesmeerd wanneer de machine in gebruik is.

- Controleer de hoeveelheid resterende olie in het oliereservoir via het oliepeilvenster (21).
- Druk lichtjes op de olie toevoerknop (2) om de ketting te smeren.

8.3 Om het oliereservoir bij te vullen

- Haal de accu uit de machine.
- Verwijder de oliereservoirdop (9) van de oliereservoir vulopening.
- Vul het oliereservoir.

- Draai na het bijvullen van het reservoir altijd de meegeleverde dop van het oliereservoir op de kettingzaag.

LET OP:

- Gebruik alleen in de handel verkrijgbare, biologisch afbreekbare kettingoliën.
- Gebruik geen motorolie, afgewerkte olie of andere minerale oliën.
- Gebruik nooit olie inclusief stof en deeltjes of vluchtige olie.
- Als de zaag een ratelend geluid maakt, moet de ketting worden gesmeerd.

Smeer de ketting van de Nexxsaw regelmatig in met biologisch afbreekbare olie.

8.4 Verstellen zaagkop

(Zie Fig. F).

De zaagpositie van de Nexxsaw kan worden aangepast door het verstellen van de zaagkop:

LET OP: draag veiligheidshandschoenen

- Verwijder de accu van de machine
- Druk ontgrendelknop (3b) in
- Draai knop (3a) met de klok mee om de zaagkop te kunnen verstellen
- Verstel de zaagkop in de gewenste positie
- Draai knop (3a) tegen de klok in, naar de beginpositie, en zorg dat ontgrendelknop (3b) hoorbaar vastklikt

LET OP: Wanneer ontgrendelknop (3b) niet goed vastklikt zal de machine niet starten, dit is een extra beveiliging.

8.5 Afstellen van de zaagkettingspanning

(Zie Fig. C).

LET OP: Span de zaagketting niet te strak aan. Door te strakke spanning van de zaagketting kan deze breken en slijtage van de zaagbladgeleider en het kettingwiel veroorzaken.

LET OP: Een ketting die te los gespannen is kan van de zaagbladgeleider springen.

De spanning van de zaagketting kan te los raken na gebruik. Controleer regelmatig de zaagkettingspanning, in ieder geval voor elk gebruik.

- a. Verwijder de accu.

- b. Draai de vleugelmoer (16) iets los om de kettingwielkap een beetje los te maken.
- c. Stel de kettingspanning opnieuw in. Draai de kettingstelschroef (7) rechtsom strakker te draaien, of linksom om losser te draaien. Span de zaagketting zodanig aan dat de ruimte tussen het midden van de onderzijde van de zaagbladgeleider en de zaagketting ongeveer 3 – 4 mm is.
- d. Draai de vleugelmoer (16) van de kettingwielkap weer vast.

8.6 AAN en UIT zetten

Het gebruik van de Nexxsaw zonder de ketting met kettingzaagolie te smeren beschadigt de zaagketting en de zaagbladgeleider.

- a. Plaats de accu in het accucompartiment.
- b. Houd de Nexxsaw stevig en veilig bij de handgreep vast wanneer u deze inschakelt.
- c. Om de Nexxsaw in te schakelen drukt u de veiligheidsschakelaar (1) in.
- d. Druk vervolgens de AAN-/UIT-schakelaar (10) in.
- e. Laat de AAN/UIT-schakelaar los om de zaag uit te zetten.

8.7 Inlooptijd voor nieuwe zaagkettingen

- a. Verwijder de accu en stel de kettingspanning in.
 - b. Schakel de Nexxsaw in en laat de motor ca. 5 minuten stationair draaien.
 - c. Verwijder de batterij en controleer de kettingspanning opnieuw. Span indien nodig de ketting opnieuw aan.
 - d. Maak daarna gedurende ongeveer 30 minuten slechts lichte zaagsneden. Zorg altijd voor voldoende smering van de zaagketting! Gebruik de Nexxsaw alleen voor zwaardere zaagsneden en grotere snijdiepten nadat de inlooperperiode is verstreken.
- Gebruik alleen een scherpe zaagketting. Een botte zaagketting loopt gemakkelijk vast. Controleer de kettingspanning vaker bij het werken met een nieuwe zaagketting, omdat de ketting in de eerste periode meer uitrekt.

- De levensduur van een zaagketting is afhankelijk van voldoende smering en de juiste spanning.
- Tijdens bedrijf wordt de ketting heet en kan opnieuw spannen nodig zijn. Ontspan de ketting na het werk, zodat deze volgende keer dat de koude machine wordt gebruikt niet te strak staat.
- Span de zaagketting niet te strak aan als die te heet is geworden. Nadat deze is afgekoeld kan hij krimpen en te strak tegen het zwaard aan komen te liggen. Wacht tot de zaagketting is afgekoeld voordat u deze opnieuw gaat aanspannen.
- De spanning van de zaagketting is belangrijk voor uw veiligheid en het functioneren van de machine. Een correct gespannen zaagketting verhoogt de levensduur van de machine.
- Controleer voor elk gebruik de kettingspanning.
- De zaagketting is correct gespannen als deze met de hand rond het zwaard kan worden getrokken (draag beschermende handschoenen) zonder door te zakken.
- Bij nieuwe zaagkettingen moet u de kettingspanning na een korte periode van gebruik opnieuw instellen.

8.8 Werkinstructies

- Reik nooit over de beschermkap (4) of onder de grondplaat (8). Er bestaat verwondingsgevaar!
- Zet de zaag niet aan als de zaagketting contact maakt met het werkstuk, in het werkstuk zit of iets kan raken. Dit kan tot ernstig letsel leiden.
- Zet losse werkstukken vast voordat u ze doorzaagt. Verwijder vreemde voorwerpen zoals spijkers, schroeven, enz.
- Wees alert op het terugveren van een tak die onder spanning staat, wanneer u deze doorzaagt. Wanneer de spanning in de houtvezels wordt opgeheven, kan de onder spanning staande tak de gebruiker raken en/of de Nexsaw uit de hand slaan.
- Wees uiterst voorzichtig bij het zagen van struikgewas en jonge boompjes.

Het ranke materiaal kan in de zaagketting vastgrijpen en dit naar u toe slaan of u uit balans brengen.

- Plaats, wanneer de zaagketting loopt, eerst de grondplaat (8) op het oppervlak van het werkstuk en laat de zaag zelf het zaagwerk doen. Oefen slechts lichte druk uit op de zaag. De ketting mag niet veel langzamer gaan lopen.

8.9 De zaagketting vervangen

- Pak de zaagketting alleen met handschoenen vast en verwijder eerst de accu!
- Inspecteer de zaagketting en de zaagbladgeleider op beschadiging of tekenen van slijtage.
- Leg nooit een nieuwe zaagketting om een versleten zaagbladgeleider.
- Laat elke nieuwe zaagketting eerst inlopen!
- Let bij het monteren van de zaagketting op de draairichting!

8.10 Terugslag

- De vorm van de beschermkap (4) elimineert grotendeels het risico van terugslag.
- De zaag wordt door de beschermkap met puntbescherming optimaal tegen terugslag beveiligd. Verwijder de beschermkap nooit (4). Er bestaat verwondingsgevaar!

8.11 De zaagketting slijpen

- De zaagtanden moeten worden geslepen als het zaagsel poederachtig wordt, als er extra kracht nodig is om in het hout door te dringen, als een rechte zaagsnede niet meer mogelijk is of als de trillingen sterker worden.
- Botte zaagkettingen moeten worden geslepen.
- Gebruik een kettingslijper om de ketting te slijpen, zorg ervoor dat u de ketting in een hoek van 30° slijpt.
- Of laat de ketting door een professional slijpen (aanbevolen).
- Vervang de zaagketting als deze aanzienlijke beschadigd is en niet kan worden gerepareerd door te vijlen.

8.12 Reiniging van het zaagblad

(Zie Fig. G).

- Reinig de groef in het zaagblad grondig.
- Vervang het zaagblad als de geleide-groef beschadigd of versleten is en de zaagketting te veel zijruimte heeft.

9. Onderhoud, reiniging en opslag

Houd voor de beste prestaties het zaagblad en de Nexxsaw altijd in perfecte conditie. Verwijder de accu uit het apparaat voordat u aanpassingen, reparaties of onderhoud uitvoert.

- Reinig het gebied rond het tandwiel met een borstel of met perslucht. (Zie Fig. H).
- Gebruik een doek, een kwast of een borstel voor het verwijderen van stof en houtspaanders. Houd de ventilatieopeningen schoon en vrij van verstoppingen.
- Wij raden u aan uw elektrische gereedschap direct na elk gebruik schoon te maken.
- Maak het elektrische handgereedschap regelmatig schoon met een vochtige doek en een beetje zachte zeep. Gebruik geen reinigings- of oplosmiddelen; deze kunnen de kunststof onderdelen beschadigen. Zorg ervoor dat er geen water in het elektrische gereedschap kan komen.
- Zorg ervoor dat geen enkele soort vloeistof in de Nexxsaw kan komen.
- Controleer van tijd tot tijd of alle bouten nog goed vast zitten.
- Bewaar de Nexxsaw met accessoires binnenshuis op een droge plaats die is beschermd tegen stof, vuil en extreme temperaturen.
- Bewaar de Nexxsaw buiten het bereik van kinderen en personen die begeleiding nodig hebben.

10. Technische gegevens:

Accuspanning:	18 V Li-Ion
Onbelast toerental:	3200 min ⁻¹
Onbelaste kettingsnelheid:	4,7 m/s
Totale zwaardlengte:	179 mm
Effectieve zwaardlengte:	150 mm
Max. zaagdiepte:	150 mm
Productgewicht zonder accessoires:	1,4 kg
Geluidsdrukniveau L_{pA}	
Multizaag:	76,83 dB(A)
Shoeizaag (met verlengsteel):	72,20 dB(A)
Onzekerheid K_{pA} :	3dB(A)
Geluidsvermogeniveau L_{WA}	
Multizaag:	87,83 dB(A)
Shoeizaag (met verlengsteel):	85,40 dB(A)
Onzekerheid K_{WA} :	3 dB(A)
Hand-/arm vibratie	
Multizaag:	1,486 m/s ²
Shoeizaag (met verlengsteel)	
Voor:	1,263 m/s ²
Achter:	0,852 m/s ²
Onzekerheid K :	1,5 m/s ²

10.1 Trillingsniveau

Het trillingsemisniveauniveau dat in deze gebruiksaanwijzing wordt vermeld, is gemeten conform een gestandaardiseerde test in EN 60745; deze mag worden gebruikt om twee machines met elkaar te vergelijken en als voorlopige beoordeling van de blootstelling aan trilling bij gebruik van de machine voor de vermelde toepassingen.

- gebruik van de tool voor andere toepassingen, of met andere of slecht onderhouden accessoires, kan het blootstellingsniveau in aanzienlijke mate doen toenemen
- wanneer de machine is uitgeschakeld of wanneer deze loopt maar geen werk verricht, kan dit het blootstellingsniveau aanzienlijk reduceren

Bescherm uzelf tegen de gevolgen van trilling door de machine en de accessoires te onderhouden, uw handen warm te houden en uw werkwijze te organiseren.

11. Accessoires – optioneel verkrijgbaar

Titanium gecoate ketting 7"

..... Art.-Nr.. 7064352

Zaagblad 7" Art.-Nr.. 7064353

Zaagbladbeschermer 7" . Art.-Nr.. 7064387

Verlengesteel Art.-Nr.. 7063826

18 V Kettingslijper Art.-Nr.. 7063640

12. Afvalverwerking en hergebruik



De machine mag niet worden afgevoerd met het huishoudelijk afval.

De machine bevindt zich in een verpakking om transportschade te vermijden. Deze verpakking is grondstof en is dus herbruikbaar of kan weer in de grondstoffenkringloop teruggevoerd worden. De machine en zijn accessoires bestaan uit verschillende materialen, zoals bijv. metaal en kunststoffen. Voer defecte onderdelen af als gevaarlijke stoffen. Vraag bij de vakhandel of op het gemeentehuis om meer informatie!

12.1 Batterijen

Denk bij het afvoeren van batterijen aan de bescherming van het milieu. Neem voor milieuvriendelijke afvoer contact op met de lokale overheid.

13. EG-Conformiteitsverklaring

Hiermee verklaren wij, **Batavia B.V., Wethouder Wassebaliestraat 6d, NL-7951 SN Staphorst**, dat het apparaat **Nexxsaw, Model BT-NXS005, Artikel Nr. 7064322** op grond van zijn ontwerp en bouwwijze en in de door ons in omloop gebrachte uitvoering voldoet aan de desbetreffend van toepassing zijnde fundamentele veiligheids- en gezondheidsvereisten van de EG-richtlijnen: **2014/30/EU** (Elektromagnetische compatibiliteit), **2006/42/EG** (Machines), **2011/65/EU**. Voor de evaluatie van de conformiteit zijn de volgende geharmoniseerde normen toegepast:

EN IEC 55014-1:2021

EN IEC 55014-2:2021

EN62841-1:2015

EN ISO 11680-1:2011

EN ISO 12100:2010

AfPS GS 2019:01

Staphorst, 1 september 2022

Technische documentatie bewaard door:

Meino Seinen, Batavia B.V.,
Weth. Wassebaliestraat 6d, 7951 SN
Staphorst, Nederland

Het product en de gebruiksaanwijzing kunnen wijzigen. De technische gegevens kunnen zonder voorafgaande aankondiging worden gewijzigd.

Gentile cliente,

Leggendo accuratamente tutti i capitoli del presente manuale nell'ordine presentato, potrà acquisire dimestichezza con il corretto uso del dispositivo. La invitiamo a conservare queste istruzioni di utilizzo per successive consultazioni.

Leggere le "Istruzioni di sicurezza generali per utensili elettrici" incluse e tutte le istruzioni di sicurezza aggiuntive nel presente manuale.

Il presente manuale contiene informazioni importanti sull'utilizzo e la gestione del dispositivo. La invitiamo a conservare queste istruzioni di utilizzo per successive consultazioni. In caso di trasferimento dell'unità a terzi, dovrà essere ceduto anche il manuale.

Batteria e caricabatterie non inclusi.

Le batterie e caricabatterie Maxpack sono disponibili online e nei negozi aderenti.

1. Spiegazione dei simboli

I seguenti simboli sono utilizzati nel manuale di istruzioni e sul prodotto:



Avviso! Per ridurre il rischio di lesioni, l'utente deve leggere le istruzioni del presente manuale.



Indica rischio di lesioni personali, morte o danni all'apparecchio in caso di mancato rispetto delle istruzioni contenute nel presente manuale.



Indossare sempre un dispositivo di protezione acustica. Gli effetti del rumore possono causare la perdita dell'udito.



Indossare occhiali di sicurezza. Quando si lavora con utensili elettrici, possono essere generati scintille, schegge, trucioli e particelle di polvere che possono causare la perdita della vista.



Indossare copricapo protettivi.



Indossare guanti di sicurezza.



Indossare calzature resistenti.



Non esporre alla pioggia o all'acqua.



Fare attenzione al contraccolpo.



Mantenere una distanza sufficiente dalle linee di alimentazione elettrica.



CE è l'abbreviazione di Conformità Europea e ha il significato di "Ai sensi dei regolamenti dell'Unione Europea". Attraverso la marcatura CE, il produttore attesta che il presente utensile elettrico è conforme alle direttive europee vigenti.



Non smaltire gli utensili elettrici con i normali rifiuti domestici.

2. Ulteriori istruzioni di sicurezza per l'uso della sega Nexxaw

- La sega Nexxaw è progettata per tagliare i rami. Usare la sega Nexxaw come indicato nel presente manuale per tagliare legname. Il dispositivo non è stato progettato per un uso continuo e professionale.
- Tenere la sega Nexxaw fuori della portata dei bambini. Non è un giocattolo.
- La sega Nexxaw non può essere utilizzata da persone con ridotte capacità fisiche, mentali o sensoriali, a meno che non siano supervisionate o istruite in merito all'uso dell'utensile da parte di un responsabile della loro sicurezza o da persone qualificate.
- Bambini e adolescenti non possono utilizzare la sega Nexxaw. Non sono soggetti a questo divieto i giovani di almeno 16 anni sotto la supervisione di un esperto in grado di fornire adeguate istruzioni.
- Prestare attenzione ai seguenti simboli di avviso. Essi evidenziano tutte le istruzioni che sono importanti per motivi di sicurezza. Il mancato rispetto di tali istruzioni potrebbe causare gravi lesioni.

- f. La sega Nexxsaw deve essere usata solo da una persona alla volta. Assicurarsi che non vi siano persone in prossimità dell'area di lavoro della sega Nexxsaw.
 - g. Prima di ciascun utilizzo della sega Nexxsaw, garantire sempre il rispetto delle condizioni di sicurezza, in particolare per quanto riguarda l'impiego della barra guida e la catena della sega.
 - h. Procurarsi sempre un appoggio sicuro prima dell'uso della sega.
 - i. Afferrare saldamente il dispositivo prima dell'accensione.
 - j. Assicurarsi che la barra guida e la catena della sega siano libere ed evitare che vengano a contatto con l'oggetto da tagliare prima di avviare il dispositivo.
 - k. Tenere le mani lontane dall'area di taglio. Non impugnare dalla parte inferiore il pezzo da lavorare. Non entrare in contatto con la catena della sega per evitare lesioni.
 - l. Avvicinare la sega Nexxsaw al pezzo da lavorare solo dopo l'accensione. In caso contrario, si corre il rischio di contraccolpi, se la catena della sega rimane impigliata nel pezzo da lavorare.
 - m. Durante il taglio, la piastra di base deve essere sempre rivolta verso il pezzo da lavorare. La catena della sega potrebbe bloccarsi, causando la perdita di controllo del dispositivo.
 - n. Al termine del taglio, spegnere il dispositivo ed estrarre la catena della sega dal pezzo da lavorare solo dopo il suo arresto. In questo modo si evitano possibili contraccolpi.
 - o. Fissare stabilmente il materiale da lavorare. Non tenere fermo il pezzo da lavorare con le mani o i piedi. Non toccare altri oggetti o il pavimento quando la sega è in funzione. Pericolo di contraccolpo.
 - p. Per il taglio di legname da costruzioni e rami sottili, servirsi di un sostegno stabile, ad esempio un cavalletto. Non accatastare legname da costruzioni.
 - q. Prima di tagliare dei tronchi, fissarli in posizione.
 - r. Quando si lavora su terreni in pendenza, non posizionarsi in discesa.
 - s. Fare particolare attenzione in caso di taglio di legname scheggiato. Le schegge di legno potrebbero avvolgersi alla catena della sega, aumentando il rischio di lesioni.
 - t. La presenza di eventuali oggetti estranei nei materiali lavorati, quali chiodi, viti, parti metalliche, sabbia e simili, aumenta l'usura della barra guida e della catena.
 - u. Se la catena della sega non è ben affilata, si possono verificare surriscaldamenti e danni al motore.
 - v. Rimuovere sempre la batteria durante il controllo della tensione della catena, quando occorre stringerla di nuovo o in caso di interventi per risolvere guasti. Rimuovere la batteria anche in caso di mancati utilizzi temporanei del dispositivo.
- ### 3. Istruzioni di sicurezza per le seghe multifunzione
- #### 3.1 Avvertenze generali per un uso sicuro della sega multifunzione:
- a. **Tenere tutte le parti del corpo lontano dalla catena della sega multifunzione quando è in funzione. Prima di avviare la sega multifunzione, assicurarsi che la catena non entri a contatto con alcun oggetto.** Un uso disattento della sega multifunzione può generare il rischio di impigliamento dei vestiti o di parti del corpo nella catena.
 - b. **Afferrare sempre le superfici isolate della sega multifunzione, poiché la catena della motosega potrebbe entrare in contatto con cavi nascosti.** Le catene in contatto con un filo sotto tensione possono mettere sotto tensione le parti metalliche esposte della sega multifunzione e provocare una scossa elettrica all'operatore.
 - c. **Indossare un dispositivo di protezione degli occhi. Si raccomanda l'uso di ulteriori dispositivi di protezione per**

l'udito, la testa, le mani, le gambe e i piedi. L'uso di adeguati dispositivi di protezione riduce il rischio di lesioni fisiche dovute ai detriti volanti o al contatto accidentale con la catena della sega.

- d. Mantenere sempre una posizione corretta e azionare la sega solo stando in piedi su una superficie fissa, sicura e piana.** Superfici scivolose o instabili possono causare la perdita di equilibrio o di controllo della sega multifunzione.
- e. Quando si taglia un ramo che è sotto tensione, fare attenzione al contraccolpo elastico.** Quando la tensione nelle fibre di legno si allenta, il ramo può colpire l'operatore a causa di un effetto molla e/o far perdere il controllo della sega multifunzione.
- f. Usare estrema cautela quando si taglia boscaglia e alberelli.** Il materiale sottile può infilarsi nella catena della sega ed essere rilasciato in direzione dell'operatore con il rischio di perdita di equilibrio.
- g. Trasportare la sega multifunzione afferrando l'impugnatura, assicurandosi che sia spenta e tenendola lontano dal corpo.** Durante il trasporto o in caso di inutilizzo della sega multifunzione, installare sempre la copertura della barra guida. **Una manipolazione adeguata della sega multifunzione ridurrà la possibilità di contatto accidentale con la catena della sega in movimento.**
- h. Seguire le istruzioni per la lubrificazione, il tensionamento della catena e la sostituzione di barra e catena.** Una catena non correttamente tensionata o lubrificata può rompersi oppure aumentare le possibilità di contraccolpi.
- i. Tagliare solo legno. Non usare la sega multifunzione per usi diversi da quello previsto. Ad esempio, non utilizzare la sega multifunzione per tagliare materiali edili in metallo, plastica, muratura o in altro materiale diverso dal legno.** L'uso della sega multifunzione per operazioni diverse da quelle indicate

potrebbe causare una situazione di pericolo.

- j. La sega multifunzione non può essere usata per abbattere gli alberi.** L'utilizzo della sega multifunzione per operazioni diverse da quelle indicate potrebbe causare gravi lesioni agli operatori e agli astanti.
- k. Seguire attentamente tutte le istruzioni durante la rimozione di materiale inceppato, la conservazione o la manutenzione della sega multifunzione. Assicurarsi di spegnere l'interruttore e di rimuovere la batteria.** L'attivazione involontaria della sega multifunzione durante la rimozione di materiale inceppato o la manutenzione può causare gravi lesioni fisiche.
- Non azionare la motosega se si è su un albero, su una scala, un tetto o qualsiasi supporto instabile. L'utilizzo di una motosega in questo modo può comportare gravi lesioni personali.
 - Attenersi a tutte le istruzioni per la rimozione del materiale inceppato, la conservazione o la manutenzione della motosega. Assicurarsi di spegnere l'interruttore e di rimuovere la batteria. L'azionamento imprevisto della motosega durante la rimozione di materiale inceppato o la manutenzione può causare gravi lesioni personali.
 - Non sporgersi e non tagliare al di sopra dell'altezza delle spalle. Ciò permette di evitare il contatto involontario con il naso della barra guida. Inoltre, consente un migliore controllo della motosega in situazioni impreviste.

4. Cause e prevenzione dei contraccolpi da parte dell'utente

Il contraccolpo può verificarsi quando il naso della barra guida tocca un oggetto o quando il legno si avvicina e si stringe alla catena dell'utensile durante il taglio.

Il contatto con questa parte della barra in alcuni casi può causare un'improvvisa reazione inversa portando la barra guida in alto e indietro verso l'utente.

Se la catena si stringe sulla parte superiore della barra guida, questa può essere a sua volta spinta verso l'utente.

Entrambe queste reazioni possono causare la perdita di controllo della sega con il rischio di gravi lesioni fisiche. Non affidarsi esclusivamente ai dispositivi di sicurezza integrati nella sega. Gli utenti della sega multifunzione devono adottare diverse misure per evitare incidenti o lesioni durante le operazioni di taglio.

(Vedere **Fig. B**). Il contraccolpo è il risultato di un uso improprio della sega multifunzione e/o di procedure o condizioni operative non corrette e può essere evitato adottando le dovute precauzioni, come di seguito indicato:

- a. **Mantenere una presa stabile con i pollici e le dita saldi sull'impugnatura della sega multifunzione e posizionare il corpo e il braccio in modo tale da resistere alla forza di contraccolpo.** La forza di contraccolpo può essere controllata dall'operatore se vengono adottate le dovute precauzioni. Non lasciare andare la sega.
- b. **Non sporgersi e non tagliare al di sopra dell'altezza delle spalle.** Ciò permette di evitare il contatto involontario con la punta della barra guida. Inoltre, in questo modo è possibile garantire un migliore controllo della sega multifunzione in situazioni impreviste.
- c. **Utilizzare solo barre e catene di ricambio specificate dal produttore.** Barre guida e catene di ricambio non corrette possono causare la rottura e/o il contraccolpo della catena.
- d. **Seguire le istruzioni del produttore per l'affilatura e la manutenzione della catena della sega.** Diminuire l'altezza del limitatore di profondità può determinare un aumento di contraccolpi.

5. Operazioni preliminari al primo uso del prodotto

Rimuovere il dispositivo e gli accessori dalla confezione. Tenere il materiale di imballaggio fuori della portata dei bambini. Sussiste il rischio di soffocamento.

6. Contenuto della confezione

- 1 sega Nexxsaw
- 1 protezione della barra
- 1 cacciavite a forma di L
- 1 manuale di istruzioni

7. Destinazione d'uso

- La sega Nexxsaw è progettata esclusivamente per tagliare i rami. La sega non è destinata ad un uso commerciale continuo.
- L'utilizzo del dispositivo per gli scopi previsti deve sempre avvenire nel rispetto delle seguenti istruzioni operative.
- Grazie all'impugnatura di estensione, la sega Nexxsaw può essere utilizzata come una cesoia da giardiniere per il taglio dei rami.
- L'eventuale utilizzo al di fuori dei parametri specificati (uso di supporti diversi o applicazione di forze differenti) o l'apporto di eventuali modifiche (riasssemblaggio del dispositivo, impiego di accessori non originali) può causare gravi rischi e costituisce un uso diverso da quello previsto.

8. Uso

8.1 Montaggio della catena della sega

(Vedere **Fig. C, D, E**).

Indossare sempre guanti protettivi durante la manipolazione della catena della sega.

- a. Svitare la vite zigrinata (**16**) ruotandola in senso antiorario per rimuovere la copertura dell'ingranaggio (**17**).
- b. Rimuovere la barra guida dal dispositivo e avvolgerla intorno la catena della sega. Prestare attenzione alla direzione di funzionamento della catena. L'icona della catena è mostrata sulla copertura.
- c. Avvolgere la catena della sega intorno all'ingranaggio (**20**) e collocare di nuovo la barra guida sulla catena regolando il perno della vite (**19**).
- d. Utilizzare un oliatore per lubrificare la catena e l'ingranaggio della sega.

- e. Stringere leggermente la catena tramite l'apposita vite di regolazione (7). Usare la chiave di regolazione (12) in dotazione per stringere la vite. Per stringere la vite, ruotare in senso orario.
- f. Reinstallare la copertura dell'ingranaggio (17) nell'alloggiamento utilizzando la vite zigrinata (16).

8.2 Lubrificazione

La catena della sega deve essere lubrificata quando l'utensile è in funzione.

- Controllare la quantità di olio rimanente nel serbatoio dell'olio attraverso la finestra di ispezione dell'olio (21).
- Premere leggermente il pulsante di alimentazione dell'olio (2) per lubrificare la catena.

8.3 Per rabboccare il serbatoio dell'olio:

- Rimuovere la batteria dalla macchina
- Rimuovere il tappo del serbatoio dell'olio (9) dall'apertura del serbatoio dell'olio.
- Riempire il serbatoio dell'olio
- Dopo aver riempito il serbatoio, avvitare sempre il tappo del serbatoio dell'olio fornito in dotazione sulla motosega.

ATTENZIONE:

- Usare solo oli lubrificanti per catene biodegradabili disponibili in commercio.
- Non usare olio motore, oli esausti o altri oli minerali.
- Non si devono mai usare oli contenenti polvere e particelle, o oli volatili.
- Se la sega produce un rumore anomalo, occorre lubrificarla.

Ingrassare regolarmente la catena della Nexxsaw con olio biodegradabile.

8.4 Regolazione della testa della sega (Vedere Fig. F).

La posizione di taglio della Nexxsaw può essere modificata regolando la testa della sega:

Attenzione! Indossare guanti di sicurezza.

- Rimuovere la batteria dalla macchina
- Premere il pulsante di rilascio (3b)
- Ruotare la manopola (3a) in senso orario per regolare la testa della sega
- Regolare la testa della sega nella posizione desiderata

- Ruotare la manopola (3a) in senso antiorario fino alla posizione di partenza, quindi assicurarsi di udire il pulsante di rilascio (3b) che scatta in posizione

ATTENZIONE: se il pulsante di rilascio (3b) non scatta correttamente, la macchina non si avvia. Questo è un meccanismo di sicurezza agguantivo.

8.5 Regolazione della tensione della catena

(Vedere Fig. C).

ATTENZIONE: non stringere eccessivamente la catena. Una tensione eccessiva della catena può causarne la rottura, l'usura della barra guida e rotture dell'ingranaggio.

ATTENZIONE: Una catena troppo lenta può fuoriuscire dalla barra guida.

La catena può allentarsi durante l'uso della sega. Controllare periodicamente la tensione della catena e prima di ogni uso.

- a. Rimuovere la batteria.
- b. Svitare un po' il bullone (16) per allentare leggermente la copertura dell'ingranaggio.
- c. Regolare la tensione della catena. Ruotare la vite di regolazione della catena (7) in senso orario per stringere e ruotarlo in senso antiorario per allentare. Stringere la catena in modo che la distanza tra il centro della parte inferiore della barra guida e la catena sia di circa 3 – 4 mm.
- d. Stringere il bullone (16) per fissare la copertura dell'ingranaggio.

8.6 Accensione e spegnimento

L'utilizzo della sega Nexxsaw senza lubrificare la catena con un olio adeguato potrebbe danneggiare la catena della sega e la barra guida.

- a. Inserire la batteria nel relativo vano.
- b. Afferrare saldamente l'impugnatura della sega Nexxsaw.
- c. Per accendere la sega Nexxsaw, premere l'interruttore di sicurezza (1).
- d. Quindi premere l'interruttore di accensione/spegnimento (10).
- e. Per spegnere la motosega, rilasciare l'interruttore Accensione/Spegnimento.

8.7 Fase di rodaggio per le nuove catene

- a. Rimuovere la batteria e regolare la tensione della catena.
- b. Accendere la sega Nexxsaw e far funzionare il motore a vuoto per circa 5 minuti.
- c. Rimuovere la batteria e controllare di nuovo la tensione della catena. Se necessario, stringere di nuovo la catena.
- d. Effettuare solo tagli leggeri per i successivi 30 minuti circa. Controllare sempre la corretta lubrificazione della catena. Usare la sega Nexxsaw per tagli più difficili e profondi solo dopo il completamento del periodo di rodaggio.
 - Usare solo catene con lame affilate. Se la catena non è ben affilata possono verificarsi più facilmente blocchi. Controllare più spesso la tensione quando si lavora con una catena nuova, poiché all'inizio la catena si tende più facilmente.
 - La durata della catena di una sega dipende da un'adeguata lubrificazione e dall'applicazione di una corretta tensione.
 - Durante l'utilizzo, la catena tende a riscaldarsi e può essere necessario regolare di nuovo il tensionamento. Allentare la catena al termine del lavoro, in modo che non sia troppo tesa al prossimo utilizzo a freddo dell'apparecchio.
 - Non regolare la tensione della catena quando la sega è troppo calda. Quando si raffredda, la catena tende a contrarsi e a stringersi troppo al suo sostegno. Attendere che la catena si sia raffreddata prima di procedere al suo tensionamento.
 - Una corretta tensione della catena è molto importante per la sicurezza dell'utente e il corretto funzionamento della sega. Un corretto tensionamento della catena aumenta la durata della sega.
 - Controllare la tensione della catena prima di ogni utilizzo.
 - La tensione della catena è corretta quando è possibile avvolgerla a mano intorno al suo sostegno (indossare

guanti protettivi per l'operazione) senza cedimenti.

- Quando si usano catene nuove, occorre regolare di nuovo la tensione dopo un breve periodo di utilizzo.

8.8 Istruzioni di funzionamento

- Non protendersi oltre il coperchio di protezione **(4)** o sotto la piastra di base **(8)**. Sussiste il rischio di lesioni.
- Non procedere con il taglio se la catena della sega è a contatto con il pezzo da lavorare, è inserita nel pezzo da lavorare o può colpire altri oggetti. Questo potrebbe causare lesioni gravi.
- Bloccare in modo sicuro gli oggetti da lavorare prima di iniziare. Rimuovere oggetti estranei quali chiodi viti, ecc.
- Quando si taglia un ramo che è sotto tensione, fare attenzione al contraccolpo elastico. Quando la tensione nelle fibre di legno si allenta, il ramo può colpire l'operatore a causa di un effetto molla e/o far perdere il controllo della sega Nexxsaw.
- Usare estrema cautela quando si taglia boscaglia e alberelli. Il materiale sottile può infilarsi nella catena della sega ed essere rilasciato in direzione dell'operatore con il rischio di perdita di equilibrio.
- Quando la catena della sega è in funzione, collocare dapprima la piastra di base **(8)** sulla superficie del pezzo da lavorare, quindi procedere al taglio. Applicare solo una lieve pressione sulla sega. La velocità della catena non dovrebbe rallentare troppo.

8.9 Sostituzione della catena

- Maneggiare sempre la catena della sega indossando guanti adatti all'uso e dopo avere rimosso la batteria.
- Controllare sempre l'eventuale presenza di segni di usura sulla catena e la barra guida della sega.
- Non applicare mai una nuova catena su una barra guida usurata.
- Eseguire sempre una fase di rodaggio per ogni catena nuova.
- Durante il montaggio della catena della sega, prestare attenzione alla direzione di funzionamento.

8.10 Contraccollo

- La forma della copertura di protezione **(4)** elimina in massima parte il rischio di contraccollo.
- La sega è adeguatamente protetta da contraccolpi grazie alla copertura di protezione con punta di protezione. Non rimuovere mai la copertura di protezione **(4)**. Sussiste il rischio di lesioni.

8.11 Affilatura della catena

- I denti della catena devono essere affilati quando la segatura diventa polvere, se occorre forza aggiuntiva per praticare le incisioni, se le incisioni dritte non sono più possibili e quando le vibrazioni si fanno più forti.
- Se la catena della sega è poco affilata, procedere all'affilatura.
- Per affilare i denti della catena, utilizzare un affilatoio che funziona con un angolo di 30°.
- Per l'affilatura è anche possibile rivolgersi a dei professionisti (scelta consigliata).
- Sostituire la catena se presenta danni considerevoli che non possono essere riparati.

8.12 Pulizia della barra guida

(Vedere **Fig. G**).

- Pulire accuratamente la cavità della barra guida.
- Sostituire la barra guida se la sua scanalatura è usurata o danneggiata e la catena presenta troppo spazio laterale.

9. Manutenzione, pulizia e conservazione

Per ottenere i migliori risultati, assicurarsi che le lame e la sega Nexxsaw siano sempre in buone condizioni.

Rimuovere il pacco batteria dall'utensile prima di procedere a operazioni di regolazione, riparazione e manutenzione.

- Pulire l'area dell'ingranaggio con un pennello o aria compressa. (Vedere **Fig. H**).
- Usare un panno, un pennello o una spazzola per rimuovere le schegge di legno. Pulire sempre le aperture di ventilazione e tenerle libere da eventuali ostruzioni.

- Si consiglia di pulire l'utensile elettrico immediatamente dopo l'uso.
- Pulire l'utensile elettrico regolarmente con un panno umido e un sapone delicato. Non utilizzare materiali di pulizia o solventi, questi possono attaccare i componenti in plastica del dispositivo. Assicurarsi che l'acqua non possa entrare all'interno dell'utensile elettrico.
- Fare attenzione a non versare nessun tipo di liquido nella sega Nexxsaw.
- Controllare periodicamente che tutte le viti siano ben strette.
- Conservare la sega Nexxsaw e tutti gli accessori all'interno, in un ambiente asciutto e al riparo da polvere, sporco e temperature estreme.
- Tenere la sega Nexxsaw fuori dalla portata dei bambini e di persone che possono utilizzarla solo se adeguatamente supervisionate.

10. Dati tecnici

Tensione batteria: Ioni di litio da 18 V

Velocità senza carico: 3200 min⁻¹

Velocità catena senza carico: 4,7 m/s

Lunghezza totale sostegno: 179 mm

Lunghezza effettiva sostegno: 150 mm

Massimo profondità di taglio: 150 mm

Peso prodotto senza accessori:
. 1,4 kg

Livello di pressione sonora L_{pA}
Multi-lama: 76,83 dB(A)

Cesoia da giardiniere
(con asta di estensione): 72,20 dB(A)

Incertezza K_{pA} : 3 dB(A)

Livello di potenza sonora L_{WA}
Multi-lama: 87,83 dB(A)

Cesoia da giardiniere
(con asta di estensione): 85,40 dB(A)

Incertezza K_{WA} : 3 dB(A)

Vibrazione mano/braccio
Multi-lama: 1,486 m/s²

Cesoia da giardiniere
(con asta di estensione)

Anteriore: 1,263 m/s²

Posteriore: 0,852 m/s²

Incertezza K: 1,5 m/s²

10.1 Livello di vibrazioni

Il valore delle vibrazioni totali dichiarate e il valore delle emissioni acustiche dichiarate sono stati misurati in conformità con il metodo di prova standard (EN 62841) e possono essere utilizzati per confrontare un utensile con l'altro. Il valore delle vibrazioni totali dichiarato può inoltre essere utilizzato per una valutazione preliminare dell'esposizione.

Avviso!

Le vibrazioni e le emissioni acustiche durante l'uso dell'utensile elettrico possono differire dai valori totali dichiarati corrispondenti, a seconda delle modalità di utilizzo dell'utensile e, in particolare, dal pezzo da lavorare.

È necessario identificare le misure di sicurezza volte a proteggere l'operatore sulla base di una stima dell'esposizione in funzione delle reali condizioni di utilizzo (tenendo conto di tutte le parti del ciclo operativo, come ad esempio il numero di spegnimenti dell'utensile e il tempo di inattività, oltre al tempo di attivazione).

Cercare di ridurre al minimo l'impatto delle vibrazioni e del rumore. Tra le misure da attuare per ridurre l'esposizione alle vibrazioni vi sono l'uso di appositi guanti durante l'utilizzo dell'utensile, la limitazione del tempo di lavoro e l'uso di accessori in buone condizioni.

11. Accessori – opzioni disponibili

Catena rivestita

al titanio 7" N. articolo 7064352

Barra 7" N. articolo 7064353

Protezione

della barra 7" N. articolo 7064387

Asta di estensione. N. articolo 7063826

Affilatrice per

catene da 18 V N. articolo 7063640

12. Smaltimento



Non smaltire gli utensili elettrici con i normali rifiuti domestici.

L'utensile elettrico viene spedito in una confezione per ridurre i danni dovuti al trasporto.

Questo imballaggio è una materia prima e come tale può o essere riutilizzata o può essere reimpressa nel ciclo delle materie prime. L'utensile elettrico e i relativi accessori sono realizzati in vari materiali come metalli e plastiche. Portare i componenti difettosi a un punto di raccolta dei rifiuti. Chiedete informazioni su questi punti di raccolta al vostro negozio specializzato o Comune.

12.1 Batterie

Smaltire le batterie rispettando le norme di protezione ambientale. Contattare le autorità locali per sapere dove si trova il centro di smaltimento batterie più vicino. Non smaltire le batterie con i rifiuti domestici. Non smaltire le batterie bruciandole, altrimenti potrebbero esplodere.

13. Dichiarazione di conformità CE

Noi sottoscritti **Batavia B.V., Weth. Wassebaliestraat 6d, NL-7951 SN Staphorst**, dichiara sotto la sua piena responsabilità che la **sega Nexxsaw, numero articolo 7064322, modello BT-NXS005**, soddisfa i requisiti essenziali definiti nella **Direttiva europea sulla Compatibilità Elettromagnetica 2014/30/UE (CEM), la Direttiva 2006/42/CE (Direttiva Macchine), la direttiva RoHS: 2011/65/EU** e loro modifiche. Per la valutazione di conformità, sono stati consultati i seguenti standard armonizzati europei:

EN IEC 55014-1:2021

EN IEC 55014-2:2021

EN62841-1:2015

EN ISO 11680-1:2011

EN ISO 12100:2010

AfPS GS 2019:01

Staphorst, 1 settembre 2022

Meino Seinen, Rappresentante QA
Batavia B.V., Weth. Wassebaliestraat 6d,
7951 SN Staphorst, Paesi Bassi

Il prodotto e il manuale utente possono essere soggetti a modifiche. I dati tecnici possono essere modificati senza preavviso.

Estimado cliente:

Familiarícese con el uso adecuado del aparato leyendo todos los capítulos de este manual en el orden en el que se presentan. Conserve estas instrucciones para poder consultarlas con posterioridad.

¡Lea el documento «Instrucciones generales de seguridad en materia de herramientas eléctricas» adjunto y todas las instrucciones de seguridad adicionales en estas instrucciones de uso!

Esta manual contiene información importante acerca de cómo operar y manipular el aparato. Conserve estas instrucciones para poder consultarlas con posterioridad. Si le cede el aparato a un tercero, entréguele también este manual.

¡La batería y el cargador no se incluyen!

Las baterías y cargadores Maxxpack están disponibles en línea y en las tiendas participantes.

1. Explicación de los símbolos

Los símbolos siguientes aparecen en el manual de usuario o en el producto:



¡Advertencia! Lea el manual de instrucciones para reducir el riesgo de lesiones personales.



Indica el riesgo de lesiones personales, muerte o daño de la herramienta en caso de no observar las instrucciones recogidas en este manual.



Siempre utilice protectores auditivos. La exposición al ruido puede causar pérdida de la audición.



Utilice gafas de seguridad. Al trabajar con herramientas eléctricas, se pueden generar chispas, astillas y partículas de polvo que pueden causar la pérdida de la visión.



Utilizar casco.



Utilizar guantes de seguridad.



Utilizar zapatos resistentes.



No exponer a la lluvia o el agua.



Riesgo de rebote.



Mantenerse a una distancia suficiente de los cables de alimentación eléctrica.



El marcado CE (siglas de Conformidad Europea) es indicativo de que se cumple con las normativas de la UE. Con el marcado CE, el fabricante confirma que esta herramienta eléctrica cumple con las directivas europeas aplicables.



No deseche las herramientas eléctricas junto a los residuos domésticos.

2. Instrucciones de seguridad adicionales relativas a las sierras Nexxsaw

- La sierra Nexxsaw ha sido diseñada para cortar ramas. Solo utilice la sierra Nexxsaw para cortar madera como se indica en este manual. La herramienta no ha sido diseñada para un uso continuo y profesional.
- Mantenga la sierra Nexxsaw fuera del alcance de los niños. No es un juguete.
- Las personas con discapacidad (física, sensorial o mental) no pueden usar la sierra Nexxsaw a menos que cuenten con la supervisión de una persona cualificada que vele por su seguridad o que hayan recibido las instrucciones de uso pertinentes por parte de una persona responsable.
- El uso de la sierra Nexxsaw por parte de niños y adolescentes está prohibido. Se excluyen de esta prohibición las personas mayores de 16 años que cuenten

- con la supervisión de un experto en un ámbito de formación.
- e. Tenga en cuenta los símbolos de advertencia. Indican todas las instrucciones importantes en materia de seguridad. Observe estas instrucciones; ¡su incumplimiento podría dar lugar a lesiones graves!
 - f. El uso de la sierra Nexxsaw se restringe a una persona a la vez. Asegúrese de que los transeúntes no permanezcan cerca del área en la que se trabaja con la sierra Nexxsaw.
 - g. Compruebe las condiciones de uso seguro de la sierra Nexxsaw; en especial, la espada y la cadena cortante.
 - h. Al trabajar con la sierra, debe contar con un soporte seguro en todo momento.
 - i. Sostenga la herramienta de forma firme y segura al encenderla.
 - j. Asegúrese de que la espada y la cadena cortante no estén bloqueadas ni en contacto con la pieza de trabajo al encender la herramienta.
 - k. Mantenga sus manos alejadas del área de aserrado. No meta las manos debajo de la pieza de trabajo. El contacto con la cadena cortante puede dar lugar a lesiones graves.
 - l. Desplace la herramienta por la pieza de trabajo solo cuando esté encendida. De lo contrario, la cadena cortante podría atascarse en la pieza de trabajo y ocasionar un rebote.
 - m. Al serrar, la base debe apoyarse sobre la pieza de trabajo en todo momento. La cadena cortante es susceptible de atascarse y ocasionar la pérdida de control de la máquina.
 - n. Una vez completado el corte, apague la herramienta y espere hasta que se detenga completamente para, seguidamente, extraer la cadena del corte. Así, puede evitar posibles rebotes.
 - o. Sujete bien el material sobre el que vaya a trabajar. No sujete la pieza de trabajo con las manos ni los pies. Evite el contacto de la sierra en marcha con cualquier objeto o el piso. Peligro de rebote.
 - p. Al aserrar paneles de madera industrial y ramas delgadas, utilice un soporte resistente en todo momento, por ejemplo, un caballete de aserrado. No apile las piezas de madera industrial.
 - q. Antes de cortar troncos, asegúrelos en posición.
 - r. Al trabajar en un suelo inclinado, asegúrese de trabajar en sentido contrario al de la caída de la pendiente.
 - s. Preste especial atención al aserrar madera astillable. Las astillas de madera pueden romperse a lo largo de la cadena cortante, lo que supone un riesgo de lesiones añadido.
 - t. Los objetos extraños como clavos, tornillos, piezas de metal, arena, etc. aumentan el desgaste de la barra guía y la cadena cortante.
 - u. Una cadena cortante sin filo puede ocasionar que el motor se sobrecaliente y se dañe.
 - v. ¡Siempre retire la batería al comprobar la tensión de la cadena, al apretarla, al montarla o al solucionar cualquier fallo! También debe retirar la batería cuando no vaya a utilizar la herramienta por algún tiempo.

3. Instrucciones de seguridad en materia de multisieras

3.1 Advertencias generales de seguridad en materia de multisieras:

- a. **Mantenga todas las partes del cuerpo alejadas de la cadena cortante mientras la multisierra esté funcionando. Antes de poner en marcha la multisierra, asegúrese de que la cadena cortante no esté en contacto con nada.** Cualquier descuido durante el funcionamiento de una multisierra podría dar lugar al atrapamiento de su ropa o alguna parte de su cuerpo con la cadena cortante.
- b. **Sujete la multisierra solo por las superficies de agarre con aislamiento en previsión de que la cadena cortante pudiera entrar en contacto con un cableado oculto.** Si la cadena cortante entra en contacto con un hilo conduc-

tor, puede dar lugar a que las piezas de metal expuestas de la multisierra también conduzcan electricidad y ocasionen una descarga eléctrica al usuario.

- c. **Utilice protectores oculares. También se recomienda el uso de otros equipos de protección individual para proteger los oídos, la cabeza, las manos, las piernas y los pies.** Un equipo de protección adecuado reducirá las lesiones personales debidas a residuos proyectados o al contacto accidental con la cadena cortante.
- d. **Mantenga un buen punto de apoyo en todo momento. Utilice la herramienta únicamente estando de pie sobre una superficie fija, segura y nivelada.** Las superficies resbaladizas o inestables pueden causar una pérdida del equilibrio o del control de la multisierra.
- e. **Durante el corte de una rama tensionada, tenga cuidado con el efecto de resorte.** Al liberarse la tensión en las fibras de la madera, el efecto de resorte cargado en la rama puede hacer que esta golpee al usuario u ocasionar la pérdida de control sobre la multisierra.
- f. **Extreme las precauciones al cortar matorrales y retoños.** Los materiales de poco grosor pueden quedarse atrapados en la cadena cortante, azotándole al soltarse o haciéndole perder el equilibrio.
- g. **La multisierra debe trasladarse sujetándola por la agarradera, para lo cual, debe estar apagada y alejada de su cuerpo. Cuando vaya a transportar o guardar la multisierra, asegúrese de que la cubierta de la espada esté debidamente colocada.** Una manipulación adecuada de la multisierra reducirá la probabilidad de un contacto accidental con la cadena cortante en movimiento.
- h. **Siga las instrucciones en lo que respecta a la lubricación, el tensionado de la cadena y el cambio de la espada y la cadena.** Una cadena mal tensada o lubricada puede romperse o aumentar la probabilidad de rebote.
- i. **Solo corte madera. No utilice la multisierra para fines para los que no ha**

sido diseñada. Por ejemplo, no utilice la multisierra para cortar metales, plásticos, mampostería ni cualquier otro material que no sea de madera.

El uso de la multisierra en aplicaciones diferentes a las previstas puede dar lugar a situaciones peligrosas.

- j. **Esta multisierra no es apta para la tala de árboles a la altura del pie.** El uso de la multisierra en aplicaciones diferentes a las previstas puede ocasionar lesiones graves tanto a los usuarios como a los transeúntes.
- k. **Siga las instrucciones pertinentes para despejar materiales atascados en la multisierra, así como para almacenarla o repararla. Asegúrese de que el interruptor esté en la posición de apagado y de haber extraído la batería.** La activación inesperada o accidental de la multisierra mientras se repara o despeja cualquier material atascado puede dar lugar a lesiones personales graves.
 - No utilice la motosierra en un árbol, en una escalera, en un tejado o en cualquier soporte inestable. De lo contrario, podría causar lesiones personales graves.
 - Siga las instrucciones pertinentes para despejar materiales atascados en la motosierra, así como para almacenarla o repararla. Asegúrese de que el interruptor esté en la posición de apagado y de haber extraído la batería. Si la motosierra se enciende de forma inesperada durante la limpieza de materiales atascados o el mantenimiento podría provocar lesiones personales graves.
 - No extienda el brazo sobremanera ni corte por encima de la altura del hombro. Esto ayuda a evitar un contacto no intencionado con la punta y posibilita un mejor control de la motosierra en situaciones inesperadas.

4. Causas del rebote y su prevención por parte del usuario

El rebote puede ocurrir cuando la punta de la espada toca un objeto o cuando la madera que se corta se cierra y atrapa la cadena cortante en el corte.

En algunos casos, el contacto con la punta puede causar una reacción hacia atrás repentina, levantando la espada en la dirección del usuario.

El atrapamiento de la cadena cortante a lo largo de la parte superior de la barra guía puede empujar rápidamente la barra guía a hacia atrás en dirección del operador.

Cualquiera de estas reacciones puede ocasionar la pérdida de control de la sierra, dando lugar a lesiones personales graves. No confíe exclusivamente en los dispositivos de seguridad integrados en su sierra. Como usuario de una multisierra, usted debe tomar varias medidas para evitar accidentes o lesiones durante cualquier trabajo de aserrado.

(Consulte la **figura B**). El rebote es el resultado de un mal uso de la multisierra y/o de un procedimiento indebido, así como de la existencia de condiciones inapropiadas, por lo que se puede evitar tomando las precauciones adecuadas que se indican a continuación:

- a. **Mantenga un agarre firme en todo momento, con el pulgar y los demás dedos rodeando la empuñadura de la sierra, y posicione su cuerpo y su brazo de tal forma que pueda resistir las fuerzas de rebote.** El usuario puede resistir las fuerzas de rebote si toma las debidas precauciones. No suelte la sierra.
- b. **No extienda el brazo sobremanera ni corte por encima de la altura del hombro.** Esto ayuda a evitar un contacto no intencionado con la punta y posibilita un mejor control de la multisierra en situaciones inesperadas.
- c. **Solo utilice las espadas y cadenas cortantes de recambio autorizadas por el fabricante.** El reemplazo de la espada y la cadena cortante por unos recambios incorrectos puede dar lugar a la rotura de la cadena y/o rebotes.
- d. **Siga las instrucciones del fabricante en lo que respecta al afilado y el mantenimiento de la cadena cortante.** La disminución de la altura del talón de profundidad puede dar lugar al aumento de los rebotes.

5. Antes de usar por primera vez

Saque la herramienta y todos los accesorios del paquete. Mantenga el material de embalaje fuera del alcance de los niños.

¡Dicho material entraña un riesgo de asfixia!

6. Contenido del paquete

- 1 sierra Nexxsaw
- 1 protector de la espada
- 1 destornillador en L
- 1 manual de instrucciones

7. Uso previsto

- La sierra Nexxsaw ha sido diseñada exclusivamente para cortar ramas. La sierra no está prevista para un uso continuo en el ámbito comercial.
- El uso previsto también incluye aquellas aplicaciones recogidas en las instrucciones de utilización.
- Junto con el mango telescópico, la sierra Nexxsaw puede usarse como una podadora para cortar ramas.
- Cualquier otro uso a los especificados (materiales diferentes y fuerza de aplicación) o cualquier modificación (reconstrucción o accesorios no originales) pueden entrañar riesgos importantes, lo que se considera un uso contrario a los fines previstos.

8. Uso

8.1 Montaje de la cadena cortante

(Consulte las **figuras C, D y E**)

Utilice guantes de protección en todo momento al manipular la cadena cortante.

- a. Gire el tornillo de cierre/apertura (**16**) en sentido antihorario para extraer la tapa del piñón (**17**).
- b. Retire la espada y pase la cadena cortante a su alrededor. Tenga en cuenta la dirección del recorrido de la cadena cortante. El icono de cadena cortante aparece en la cubierta.
- c. Pase la cadena cortante sobre el piñón (**20**) y vuelva a colocar la espada en la varilla del tornillo de ajuste de la cadena (**19**).
- d. Utilice una aceitera para lubricar la cadena cortante y el piñón.

- e. Apriete ligeramente la cadena cortante mediante el tornillo de ajuste de la cadena (7). Utilice la llave de ajuste provista (12) para apretar el tornillo. Para apretar, gire el tornillo en sentido horario.
- f. Vuelva a apretar la cubierta del piñón (17) mediante el tornillo de cierre/apertura (16) en la carcasa.

8.2 Lubricación

La motosierra se debe lubricar cuando la herramienta está en uso.

- Compruebe la cantidad de aceite que queda disponible en el depósito de aceite a través de la ventana de inspección de aceite (21).
- Presione ligeramente el botón de suministro de aceite (2) para lubricar la cadena.

8.3 Para rellenar el depósito de aceite:

- Retire la batería de la herramienta.
- Retire la tapa del depósito de aceite (9) de la apertura del depósito de aceite.
- Llene el depósito de aceite
- Cuando haya rellenado el depósito, atornille la tapa del depósito de aceite que vienen incluida en la motosierra.

PRECAUCIÓN:

- Solo utilice aceites de cadena biodegradables comerciales.
- No utilice aceite de motor, aceite usado ni aceites minerales.
- No utilice nunca aceite que contenga polvo y partículas o aceite volátil.
- Lubrique la sierra si produce un ruido de traqueteo.

Lubrique la cadena de la Nexxsaw de forma regular con aceite biodegradable.

8.4 Ajuste del cabezal de la sierra

(Consulte la **figura F**).

La posición de corte de la Nexxsaw se puede establecer ajustando el cabezal de la sierra:

¡Peligro! Utilice guantes de seguridad

- - Retire la batería de la herramienta
- - Pulse el botón de desbloqueo (3b)

- - Mueva el botón giratorio (3a) hacia la derecha para ajustar el cabezal de la sierra
- - Establezca el cabezal de la sierra en la posición deseada
- - Mueva el botón giratorio (3a) hacia la derecha hasta la posición inicial y asegúrese de que el botón de desbloqueo (3b) encaje perfectamente al escuchar un clic.

ATENCIÓN: Si el botón de desbloqueo (3b) no hace clic correctamente, la herramienta no se iniciará; se trata de una medida de seguridad adicional..

8.5 Ajuste de la tensión de la cadena cortante

(Consulte la **figura C**)

PRECAUCIÓN: No apriete demasiado la cadena cortante. La cadena cortante puede romperse si se tensa demasiado. Además, una tensión excesiva producirá el desgaste de la barra guía y la rotura del piñón.

PRECAUCIÓN: Una cadena demasiado floja podría salirse de la barra guía.

La cadena cortante puede aflojarse con el uso. Revise regularmente la tensión de la cadena cortante, preferiblemente antes de usar la sierra.

- a. Extraiga la batería.
- b. Desatornille el tornillo de cierre/apertura (16) un poco para aflojar ligeramente la cubierta del piñón.
- c. Ajuste la tensión de la cadena. Gire el tornillo de ajuste de la cadena (7) en sentido horario para apretar y gírelo en sentido antihorario para aflojar. Apriete la cadena cortante, de modo que el espacio entre ella y el centro del lado inferior de la barra guía sea de aproximadamente 3-4 mm.
- d. Apriete el tornillo de cierre/apertura (16) para asegurar la cubierta del piñón.

8.6 Encendido y apagado

El uso de la sierra Nexxsaw sin haber lubricado la cadena con aceite de cadena dañará la cadena cortante y la espada.

- a. Inserte la batería en el compartimento previsto para ello.

- b. Sostenga la sierra Nexxsaw de forma firme y segura por la empuñadura.
- c. Para encender la sierra Nexxsaw, pulse primeramente el interruptor de seguridad **(1)**.
- d. Seguidamente, pulse el interruptor de encendido/apagado **(10)**.
- e. Para apagar la sierra, suelte el interruptor de encendido/apagado.

8.7 Tiempo de rodaje de las cadenas cortantes nuevas

- a. Extraiga la batería y ajuste la tensión de la cadena.
- b. Encienda la sierra Nexxsaw y deje en marcha el motor en ralentí durante aproximadamente 5 minutos.
- c. Extraiga la batería y vuelva a revisar la tensión de la cadena. Si fuera necesario, vuelva a apretar la cadena.
- d. A continuación, realice únicamente cortes fáciles durante 30 minutos. ¡Asegúrese de que la cadena cortante esté debidamente lubricada en todo momento! Solo utilice la sierra Nexxsaw para cortes pesados y más profundos una vez superado el periodo de rodaje.
- Utilice únicamente cadenas cortantes afiladas. Una cadena cortante sin filo es más propensa a atascarse. Aumente la frecuencia de revisión de la tensión de la cadena al trabajar con una cadena cortante nueva, ya que tiende a estirarse más al principio.
- La vida útil de la cadena cortante depende de una lubricación suficiente y una tensión correcta.
- Durante el uso, la cadena se calienta, por lo que podría ser necesario volver a tensarla. Afloje la cadena tras el trabajo, de manera que no esté demasiado tensionada la próxima vez que use la herramienta estando fría.
- No vuelva a apretar una cadena cortante que se haya calentado demasiado. Después de enfriarse, puede contraerse y yacer demasiado apretada contra la espada. Espere hasta que la cadena cortante se haya enfriado antes de volverla a tensar.

- La tensión de la cadena cortante es importante en términos de su seguridad y el buen funcionamiento de la herramienta. Una cadena cortante tensionada de forma correcta aumenta la vida útil de la herramienta.
- Compruebe que la tensión de la cadena sea la correcta antes de cada uso.
- La cadena cortante está correctamente tensionada si se puede tirar de ella a lo largo de la espada con la mano (utilice guantes de protección) sin que se produzcan corrimientos.
- En el caso de cadenas nuevas, es necesario reajustar la tensión de la cadena tras un corto periodo de uso.

8.8 Instrucciones de trabajo

- Nunca lleve la mano por encima de la cubierta de protección **(4)** o la zona por debajo de la base **(8)**. ¡Hacerlo entraña un riesgo de lesiones!!
- No corte si la cadena cortante está en contacto con la pieza de trabajo, dentro de la pieza de trabajo o si puede golpear un objeto. De lo contrario, existe el riesgo de lesiones graves.
- Sujete las piezas de trabajo sueltas antes de cortarlas. Retire cualquier objeto extraño como clavos, tornillos, etc.
- Durante el corte de una rama tensionada, tenga cuidado con el efecto de resorte. Al liberar la tensión en las fibras de la madera, el efecto de resorte cargado en la rama puede hacer que esta golpee al usuario u ocasionar la pérdida de control sobre la multisierra.
- Extreme las precauciones al cortar matorrales y retoños. Los materiales de poco grosor pueden quedarse atrapados en la cadena cortante, azotándole al soltarse o haciéndole perder el equilibrio.
- Una vez en marcha la cadena cortante, coloque primeramente la base **(8)** sobre la pieza de trabajo y permita que la sierra corte por sí sola. Aplique únicamente una presión ligera sobre la sierra. La velocidad de la cadena no debe reducirse demasiado.

8.9 Cambio de la cadena cortante

- Solo manipule la cadena cortante usando guantes de protección, ¡no sin antes haber extraído la batería!
- Inspeccione la cadena cortante y la barra guía en busca de daños o signos de desgaste.
- Nunca coloque una cadena cortante nueva en una barra guía desgastada.
- En primer lugar, permita que cada cadena cortante nueva cumpla con el tiempo de rodaje.
- ¡Al colocar una cadena cortante, preste atención a la dirección del recorrido!

8.10 Rebote

- La forma de la cubierta de protección **(4)** elimina en gran medida el riesgo de rebote.
- La cubierta con protección en la punta supone una protección óptima contra un posible rebote de la sierra. Nunca retire la cubierta de protección **(4)**. ¡Hacerlo entraña un riesgo de lesiones!

8.11 Afilado de la cadena cortante

- Los dientes de la sierra se deben afilar cuando (a) el serrín resulte polvoriento, (b) se necesite una fuerza adicional para hacer las incisiones, (c) no sea posible realizar incisiones rectas o (d) aumente la vibración.
- Las cadenas cortantes sin filo deben afilarse.
- Para afilar la cadena, utilice un afilador de cadenas, asegurándose de afilarla en un ángulo de 30°.
- Alternativamente, se aconseja encargar el afilado de la cadena a un profesional.
- Reemplace la cadena cortante si observa daños considerables que no se puedan reparar con el afilado.

8.12 Limpieza de la espada

(Consulte la **figura G**)

- Limpie a fondo la ranura de la espada.
- Reemplace la espada si observa que la ranura de la guía está dañada o desgastada y si la cadena cortante tiene demasiado espacio a los lados.

9. Mantenimiento, limpieza y almacenamiento

Para obtener el mejor rendimiento, siempre mantenga la cadena cortante y la sierra Nexxsaw en buen estado.

Retire la batería de la herramienta antes de llevar a cabo cualquier ajuste, mantenimiento o reparación.

- Limpie la zona del piñón con un cepillo o aire comprimido. (Consulte la **figura H**)
- Utilice un paño, una brocha o un cepillo para quitar el polvo y las astillas de madera. Mantenga las ranuras de ventilación limpias y libres de obstrucciones en todo momento.
- Le recomendamos limpiar su herramienta eléctrica inmediatamente después de cada uso.
- Limpie la herramienta eléctrica regularmente con un paño humedecido con agua jabonosa (utilice únicamente detergentes suaves). No utilice disolventes ni productos de limpieza, ya que pueden atacar las partes de plástico del aparato. Asegúrese de que el agua no penetre en el interior de la herramienta.
- No permita que ningún líquido penetre en la sierra Nexxsaw.
- Compruebe regularmente que todos los tornillos estén bien apretados.
- Guarde la sierra Nexxsaw y sus accesorios en un espacio interior seco y protegido del polvo, el sucio y las temperaturas extremas.
- Guarde la sierra Nexxsaw fuera del alcance de los niños o de las personas que necesiten supervisión.

10. Datos técnicos

Voltaje de la batería: . . . 18 V (iones de litio)
 Velocidad sin carga: 3200 min⁻¹
 Velocidad de la cadena sin carga: . . . 4,7 m/s
 Longitud total de la espada: 179 mm
 Longitud efectiva de la espada: . . . 150 mm
 Profundidad de corte máxima: . . . 150 mm
 Peso del producto sin accesorios:
 1,4 kg

Nivel de presión sonora (L_{pA})

Multisierra: 76,83 dB(A)

Podadora

(con mango telescópico): . . . 72,20 dB(A)

Incertidumbre (K_{pA}): 3 dB(A)

Nivel de potencia acústica (L_{WA})

Multisierra: 87,83 dB(A)

Podadora

(con mango telescópico): . . . 85,40 dB(A)

Incertidumbre (K_{WA}): 3 dB(A)

Vibración transmitida al sistema
 mano-brazo

Multisierra: 1,486 m/s²

Podadora (con mango telescópico)

Parte delantera: 1,263 m/s²

Parte trasera: 0,852 m/s²

Incertidumbre (K): 1,5 m/s²

10.1 Nivel de vibración

El valor total declarado de vibración y los valores declarados de emisión de ruido se han medido de conformidad con un método de prueba normalizado (EN 62841) y se pueden usar para comparar herramientas entre sí. El valor total declarado de vibración también puede usarse en una evaluación de exposición preliminar.

¡Advertencia!

La vibración y la emisión de ruido durante el uso real de la herramienta eléctrica pueden diferir del valor total declarado en función de la manera en la que se use la herramienta, en particular, el tipo de pieza de trabajo objeto del corte.

Resulta necesario identificar medidas de seguridad basadas en una estimación de la exposición en condiciones reales de uso para proteger al usuario (considerando todas las partes del ciclo de operación, por ejemplo, los momentos en los que se apaga

la herramienta y cuando está en marcha en ralentí, además del tiempo de activación). Intente minimizar los efectos de la vibración y el ruido. Medidas ejemplares para reducir la exposición a la vibración incluyen el uso de guantes de protección durante el uso de la herramienta, limitación del tiempo de trabajo y el uso de accesorios en buen estado.

11. Accesorios opcionales disponibles

Cadena revestida

de titanio 7" Artículo n.º 7064352

Espada 7" Artículo n.º 7064353

Protector de

la espada 7" Artículo n.º 7064387

Mango telescópico . . . Artículo n.º 7063826

Afiladora de

cadena de 18 V Artículo n.º 7063640

12. Eliminación



No deseche las herramientas eléctricas junto a los residuos domésticos.

El embalaje en el que se envía esta herramienta reduce los daños debidos al transporte.

El material de embalaje en cuestión es una materia prima que se puede reutilizar o reciclar. La herramienta eléctrica y sus accesorios están fabricados con diferentes materiales como metales y plástico. Lleve los componentes defectuosos a un punto de recogida de residuos especiales. Puede consultar con el vendedor o su ayuntamiento al respecto.

12.1 Baterías

Piense en el medioambiente al desechar las baterías. Póngase en contacto con las autoridades locales para saber dónde se encuentra el punto de recogida más cercano para este tipo de residuos. No deseeche las baterías junto a los residuos domésticos. No elimine las baterías quemándolas, ya que esto entraña un riesgo de explosión.

13. Declaración CE de conformidad

Nosotros, **Batavia B.V., con domicilio social en Weth. Wassebaliestraat 6d, NL-7951 SN Staphorst**, declaramos bajo nuestra propia responsabilidad que la **sierra Nexxsaw, modelo BT-NXS005, n.º de artículo 7064322**, cumple con los requisitos básicos recogidos en la **Directiva 2014/30/EU del Parlamento Europeo y del Consejo en materia de compatibilidad electromagnética (EMC), la Directiva 2006/42/CE relativa a las máquinas y la Directiva 2011/65/EU** sobre restricciones a la utilización de determinadas sustancias peligrosas en aparatos eléctricos y electrónicos (también conocida como **RoHS**) y sus enmiendas. Para la evaluación del cumplimiento normativo se consultaron las siguientes normas armonizadas:

EN IEC 55014-1:2021

EN IEC 55014-2:2021

EN62841-1:2015

EN ISO 11680-1:2011

EN ISO 12100:2010

AfPS GS 2019:01

Staphorst, 1 de septiembre de 2022



Meino Seinen, representante
de Aseguramiento de la Calidad de
Batavia B.V., Weth. Wassebaliestraat 6d,
7951 SN Staphorst, Países Bajos

Tanto el producto como el manual de usuario están sujetos a cambios. Los datos técnicos pueden cambiar sin previo aviso.

Estimado cliente,

Familiarize-se com a utilização adequada do dispositivo através da leitura e cumprimento de cada capítulo deste manual, pela ordem apresentada. Guarde estas instruções de utilização para consulta futura.

Leia as "Instruções gerais de segurança para ferramentas elétricas" e todas as instruções de segurança adicionais neste manual!

Este manual contém informações importantes sobre a utilização e manuseamento do dispositivo. Guarde estas instruções de utilização para consulta futura. Entregue-as juntamente com a unidade caso empreste o equipamento a terceiros.

Bateria e carregador não incluídos!

As baterias e carregadores Maxxpack estão disponíveis online e nas lojas participantes.

1. Explicação dos símbolos

Os seguintes símbolos são utilizados no manual do utilizador ou no produto:



Aviso! Para reduzir o risco de lesões, o utilizador deve ler o manual de instruções.



Indica risco de lesões corporais, morte ou danos no equipamento no caso de não observância das instruções neste manual.



Utilizar sempre proteção auditiva. Os efeitos do ruído podem causar perda de audição.



Utilize óculos de proteção. Sempre que se trabalha com ferramentas elétricas, é possível a ocorrência de faíscas, lascas, farpas e partículas de pó, que podem causar perda de visão.



Utilize capacete de proteção.



Utilize luvas de proteção.



Utilize calçado resistente.



Não exponha a chuva ou água.



Atenção à possibilidade de ricochete.



Mantenha-se suficientemente afastado das linhas de energia elétrica.



"CE" significa "Conformidade Europeia", o que indica "em conformidade com a regulamentação da UE". Com a marcação CE, o fabricante confirma que esta ferramenta elétrica cumpre com as diretivas europeias aplicáveis.



Não elimine as ferramentas elétricas juntamente com os resíduos domésticos.

2. Instruções de segurança adicionais para serras NexxSaw

- A serra NexxSaw foi concebida para cortar ramos. Utilize a serra NexxSaw conforme indicado neste manual, para cortar madeira. A máquina não foi concebida para uma utilização profissional e prolongada.
- Mantenha a serra NexxSaw fora do alcance das crianças. Não se trata de um brinquedo.
- As pessoas com capacidades físicas, sensoriais ou mentais reduzidas não devem utilizar a serra NexxSaw, exceto se sob supervisão por uma pessoa qualificada ou se tiverem recebido instruções relativas à utilização da máquina por parte da pessoa responsável.
- As crianças e adolescentes não podem utilizar a serra NexxSaw. Excluídos desta proibição estão os jovens com mais de 16 anos que estejam sob a supervisão de um especialista para efeitos de formação.
- Tenha atenção aos símbolos de aviso. Estes assinalam todas as instruções importantes por motivos de segurança. Respeite estas instruções; caso contrário, poderão ocorrer lesões graves!
- A serra NexxSaw deve ser usada por uma pessoa de cada vez. Certifique-se de que não se encontram outras pes-

- soas nas imediações da área de trabalho da serra Nexxsaw.
- g. Verifique as condições de funcionamento da serra Nexxsaw, em especial a barra guia e a corrente da serra, antes de cada utilização.
 - h. Adote sempre uma posição segura quando utilizar a serra.
 - i. Segure a máquina de forma firme e segura quando trocar de braço.
 - j. Certifique-se de que a barra guia e a corrente da serra se encontram desobstruídas quando ligar a máquina, e que não ficam em contacto com a peça a cortar.
 - k. Mantenha as suas mãos afastadas da área de serragem. Não tente chegar à parte por baixo da peça de trabalho. O contacto com a corrente da serra pode resultar em ferimentos.
 - l. Mova a serra Nexxsaw na direção da peça apenas depois de ligada. Caso contrário, existe o risco de ricochete se a serra ficar presa na peça.
 - m. Ao serrar, a chapa de base tem sempre de ficar encostada à peça de trabalho. A corrente da serra pode ficar encravada e levar à perda de controlo da máquina.
 - n. Quando o corte estiver concluído, desligue a máquina e, em seguida, puxe a corrente da serra para fora do corte, apenas quando a máquina estiver totalmente parada. Desta forma evitará possíveis riscos de ricochete.
 - o. Fixe bem o material de trabalho. Não apoie a peça de trabalho com a sua mão ou pé. Não toque em objetos ou no chão com a serra a funcionar. Risco de ricochete.
 - p. Ao serrar madeira e ramos finos, empregue sempre um suporte forte, como um cavalete de serragem. Não empilhe peças de madeira.
 - q. Antes de cortar troncos, fixe-os na sua posição.
 - r. Ao trabalhar em terrenos inclinados, certifique-se de que trabalha virado para cima.
 - s. Esteja particularmente atento ao cortar madeira com farpas. As farpas de madeira podem soltar-se ao longo da corrente da serra e aumentar o risco de ferimentos!
 - t. Objetos estranhos como pregos, parafusos, peças metálicas, areia, etc., resultam num maior desgaste da barra guia e da corrente da serra.
 - u. Uma corrente romba pode provocar sobreaquecimento e danificar o motor.
 - v. Retire sempre a bateria quando verificar a tensão da corrente, para a reapertar, para montar a corrente da serra e para eliminar falhas! Retire também a bateria se não utilizar a máquina por um período de tempo prolongado.

3. Instruções de segurança para serras multifunções

3.1 Avisos de segurança gerais para serras multifunções:

- a. **Mantenha todas as partes do seu corpo afastadas da corrente da serra quando a serra multifunções estiver a funcionar. Antes de ligar a serra multifunções, certifique-se de que a corrente da serra não está em contacto com nenhum item.** Um momento de distração durante a utilização de serras multifunções pode provocar o enredamento da sua roupa ou corpo na corrente da serra.
- b. **Segure a serra multifunções apenas nas superfícies para esse fim, pois a corrente pode ficar em contacto com cablagem oculta.** O contacto da corrente da serra com um fio sob tensão poderá fazer com que as peças metálicas expostas da serra multifunções fiquem sob tensão, podendo provocar um choque elétrico ao utilizador.
- c. **Utilize proteção ocular. Recomendamos a utilização de outro equipamento de proteção auricular, capacete, luvas, perneiras e calçado adequado.** O equipamento de proteção adequado reduzirá o risco de ferimentos pessoais provocados por resíduos projetados ou pelo contacto acidental com a corrente da serra.

- d. **Coloque sempre os seus pés de forma adequada e utilize a serra multifunções apenas quando se encontrar numa superfície fixa, segura e nivelada.** As superfícies escorregadias ou instáveis podem provocar a perda de equilíbrio ou controlo da serra multifunções.
- e. **Ao cortar um tronco sob tensão, esteja atento a um possível ressalto.** Quando a tensão nas fibras de madeira for libertada, o tronco sob pressão pode atingir o utilizador e/ou lançar a serra multifunções fora de controlo.
- f. **Tenha extremo cuidado ao cortar arbustos e rebentos.** O material fino pode ficar preso na corrente da serra e ser projetado na sua direção ou desequilibrá-lo.
- g. **Transporte a serra multifunções pelo punho, com a máquina desligada e afastada do seu corpo. Ao transportar ou armazenar a serra multifunções, instale sempre a tampa da barra guia** O correto manuseamento da serra multifunções reduzirá a possibilidade de contacto accidental com a corrente da serra em movimento.
- h. **Siga as instruções quanto à lubrificação, tensionamento da corrente e substituição da barra e corrente.** Uma corrente com uma tensão ou lubrificação inadequadas pode partir ou aumentar a possibilidade de ricochete.
- i. **Utilize a máquina para cortar apenas madeira. Não utilize a serra multifunções para outros fins que não os previstos. Por exemplo, não utilize a serra multifunções para cortar metal, plástico, alvenaria e materiais de construção que não a madeira.** A utilização da serra multifunções para outras operações que não as previstas pode resultar numa situação perigosa.
- j. **Esta serra multifunções não se destina ao abate de árvores.** A utilização da serra multifunções para outras operações que não as previstas pode resultar em ferimentos graves no operador ou pessoas presentes no local.
- k. **Siga as instruções quando limpar material encravado e quando armazenar ou realizar a manutenção da serra multifunções. Certifique-se de que o interruptor está na posição desligada e que a bateria foi removida.** O acionamento inesperado da serra multifunções enquanto remove material encravado ou durante a manutenção poderá resultar em ferimentos graves.
- Não utilize a motosserra numa árvore, numa escada, a partir de um telhado, ou em qualquer suporte instável. O funcionamento de uma motosserra desta forma pode resultar em graves ferimentos pessoais.
 - Siga todas as instruções ao limpar material encravado, ao guardar ou ao fazer a manutenção da motosserra. Certifique-se de que o interruptor está na posição desligada e que a bateria foi removida. O acionamento inesperado da motosserra enquanto remove material encravado ou durante a manutenção poderá resultar em ferimentos graves.
 - Não se estique demasiado e não corte acima da altura do seu ombro. Desta forma, poderá prevenir um contacto indesejado da ponta e permitirá um melhor controlo da motosserra em situações inesperadas.

4. Causas e prevenção de ricochete

O ricochete pode ocorrer quando a ponta da barra guia toca num objeto, ou quando a madeira se aproxima e toca na corrente da serra no corte.

Em alguns casos, o contacto da ponta pode provocar uma reação inversa súbita, projetando a barra guia para cima e para trás, na direção do operador.

A compressão da corrente da serra ao longo da parte superior da barra guia pode empurrar a barra guia rapidamente para trás, na direção do operador.

Qualquer uma destas reações pode fazer com que perca o controlo da serra, resultando em ferimentos graves. Não confie exclusivamente nos dispositivos de segurança integrados na sua serra. Enquanto utilizador de uma serra multifunções,

deverá tomar várias medidas para assegurar que as suas tarefas de corte são seguras e sem acidentes ou lesões.

(veja a **Fig. B**). O ricochete é o resultado de uma utilização indevida e/ou de procedimentos de utilização ou condições incorretos da serra multifunções, podendo ser evitado ao tomar as devidas precauções, que apresentamos abaixo.

- a. **Segure a serra firmemente, com o polegar e os dedos em volta do punho da serra e posicione o seu corpo e braços de forma a resistir às forças de ricochete.** O operador poderá controlar as forças de ricochete se tomar as devidas precauções. Nunca largue a serra.
- b. **Não se estique demasiado e não corte acima da altura do seu ombro.** Desta forma, poderá prevenir um contacto indesejado da ponta e permitirá um melhor controlo da serra multifunções em situações inesperadas.
- c. **Apenas utilize as barras guia e correntes de serra de substituição especificadas pelo fabricante.** A utilização de barras guia e correntes de serra de substituição incorretas pode provocar a quebra da corrente e/ou ricochete.
- d. **Siga as instruções do fabricante relativamente ao afiamento e manutenção da corrente da serra.** A redução da altura do medidor de profundidade pode resultar em ricochete.

5. Antes da primeira utilização

Retire a máquina e todos os acessórios da embalagem. Mantenha os materiais de embalagem fora do alcance de crianças pequenas. Risco de asfixia!

6. Conteúdo da embalagem

- 1x Serra Nexxsaw
- 1x Protetor de barra
- 1x Chave de fendas L
- 1 x Manual de instruções

7. Utilização prevista

- A serra Nexxsaw foi concebida exclusivamente para cortar ramos. A serra não

se destina a uma utilização comercial prolongada.

- A utilização prevista também inclui uma operação de acordo com as instruções de funcionamento.
- A par com o suporte de extensão, a serra Nexxsaw pode ser usada como podador para corte de ramos.
- Qualquer utilização que ultrapasse estes parâmetros (diferentes suportes, aplicação de força) ou quaisquer alterações (reconstrução, acessórios não originais) pode criar riscos graves, sendo vista como algo contrário à finalidade prevista.

8. Utilização

8.1 Montar a corrente da serra

(Ver **Fig. C, D, E**).

Utilize sempre luvas quando manusear a corrente da serra.

- a. Desaperte o parafuso da cabeça **(16)** no sentido contrário ao dos ponteiros do relógio para remover a tampa da roda dentada **(17)**.
- b. Retire a barra guia da máquina e passe a corrente em volta da mesma. Tenha em atenção a direção de colocação da corrente. O ícone da corrente da serra está indicado na tampa.
- c. Passe a corrente da serra por cima da roda dentada **(20)** e substitua a barra guia no pino do parafuso de ajuste da corrente **(19)**.
- d. Use um lubrificador para lubrificar a corrente da serra e a roda dentada.
- e. Aperte ligeiramente a corrente com o parafuso de ajuste da corrente **(7)**. Use a chave de ajuste **(12)** fornecida para apertar o parafuso. Para apertar novamente, gire o parafuso no sentido dos ponteiros do relógio.
- f. Aperte novamente a tampa da roda dentada **(17)** com o parafuso da cabeça **(16)** na armação.

8.2 Lubrificação

A corrente de serra deve ser lubrificada quando a ferramenta estiver em funcionamento.

- Verifique a quantidade de óleo restante no reservatório de óleo através da janela de inspeção de óleo (21).
- Prima ligeiramente o botão de abastecimento de óleo (2) para lubrificar a corrente.

8.3 Para reabastecer o reservatório de óleo:

- Remova a bateria da máquina
- Remova a tampa do reservatório de óleo (9) da abertura do reservatório de óleo.
- Encha o reservatório de óleo
- Após reabastecer o reservatório, enrosque sempre a tampa do reservatório de óleo fornecido na motosserra.

PRECAUÇÃO:

- Utilize apenas óleos de corrente comerciais e biodegradáveis.
- Não utilize óleo de motor, óleo usado ou outros óleos minerais.
- Nunca utilize óleo com poeira ou partículas nem óleo volátil.
- Se a serra emitir um ruído de chacoalhar, a corrente tem de ser lubrificada.

Lubrifique regularmente a Nexxsaw com óleo biodegradável.

8.4 Ajuste da cabeça da serra

(Ver Fig. F).

A posição de corte da Nexxsaw pode ser regulada, ajustando a cabeça da serra:

Cuidado! Use luvas de segurança.

- Remova a bateria da máquina
- Prima o botão de desbloqueio (3b)
- Rode o botão (3a) para a direita, para ajustar a cabeça da serra
- Ajuste a cabeça da serra para a posição pretendida
- Rode o botão (3a) para a esquerda, para a posição inicial, e certifique-se de que o botão de desbloqueio (3b) faz um som de clique audívelmente quando encaixa na posição pretendida

TENHA EM ATENÇÃO O SEGUINTE: Se o botão de desbloqueio (3b) fizer um som de clique corretamente, a máquina não arranca, esta é uma segurança extra.

8.5 Ajustar a tensão da corrente da serra (Ver Fig. C).

CUIDADO: não aperte a corrente da serra em demasia. Uma tensão excessiva da corrente da serra pode provocar a sua quebra, o desgaste da barra guia e a quebra da roda dentada.

CUIDADO: Uma corrente demasiado solta pode saltar da barra guia.

A corrente da serra pode ficar solta após a utilização. Ocasionalmente, verifique a tensão da corrente da serra, e faça-o sempre, antes de cada utilização.

- Remova a bateria.
- Desaperte o parafuso da cabeça (16) um pouco, para desapertar ligeiramente a tampa da roda dentada.
- Ajuste a tensão da corrente. Gire o parafuso de ajuste da corrente (7) no sentido dos ponteiros do relógio para apertar; gire no sentido oposto para desapertar. Aperte a corrente da serra de forma a que o espaço entre o centro do lado inferior da barra guia e a corrente da serra seja de 3 a 4 mm.
- Aperte o parafuso da cabeça (16) para fixar a tampa da roda dentada.

8.6 LIGAR e DESLIGAR

A utilização da serra Nexxsaw sem lubrificar a corrente com óleo adequado irá danificar a corrente e a barra guia.

- Insira a bateria na reentrância para esse fim.
- Segure a serra Nexxsaw de forma firme e segura, no punho.
- Para ligar a serra Nexxsaw, prima o interruptor de segurança (1).
- Em seguida, prima o interruptor LIGAR/DESLIGAR (10).
- Para desligar a serra, solte o interruptor de LIGAR/DESLIGAR.

8.7 Período de aquecimento para correntes de serra novas

- Remova a bateria e ajuste a tensão da corrente.
- Ligue a serra Nexxsaw e deixe o motor trabalhar ao ralenti durante aprox. 5 minutos.
- Remova a bateria e verifique novamente a tensão da corrente. Se necessário, aperte novamente a corrente.

- d. Posteriormente, realize apenas cortes simples durante aprox. 30 minutos. Garanta sempre uma lubrificação suficiente da corrente da serra! Utilize a serra Nexxsaw para cortes mais pesados e de maior profundidade apenas depois de decorrido o período de aquecimento.
- Utilize apenas uma corrente de serra afiada. Uma corrente romba pode encravar com maior facilidade. Verifique a tensão da corrente com maior frequência quando trabalhar com uma corrente de serra nova, pois no início, as correntes esticam mais.
 - A vida útil de uma corrente de serra depende de uma lubrificação suficiente e de um tensionamento correto.
 - Durante a utilização, a corrente aquece, podendo ser necessário um novo tensionamento. Dê alguma folga à corrente após a utilização, para que não esteja demasiado apertada na próxima vez que usar a máquina fria.
 - Não aperte novamente correntes de serra que aqueceram demasiado. Depois de arrefecer, pode contrair e ficar demasiado apertada contra a barra guia. Aguarde até a corrente arrefecer antes de proceder a um novo tensionamento.
 - A tensão da corrente é importante para a sua segurança e para o funcionamento da máquina. Uma corrente com a tensão correta aumenta a vida útil da máquina.
 - Verifique a tensão da corrente antes de cada utilização.
 - A corrente apresenta uma tensão corrente se puder ser puxada manualmente em volta da espada (use luvas de proteção) sem descair.
 - Se a corrente da serra for nova, terá de reajustar a respetiva tensão novamente após um curto período de utilização.

8.8 Instruções de utilização

- Nunca coloque a mão sobre a tampa de proteção (4) ou sob a placa de base (8). Risco de ferimentos!
- Não ligue a serra se a corrente da serra estiver em contacto com a peça, se estiver na peça ou se puder embater

num objeto. Tal pode provocar ferimentos graves.

- Prenda as peças de trabalho soltas antes de as cortar. Remova objetos estranhos como pregos, parafusos, etc.
- Ao cortar um ramo sob tensão, esteja atento a um possível ressalto. Quando a tensão nas fibras de madeira for libertada, o tronco sob pressão pode atingir o utilizador e/ou lançar a serra Nexxsaw fora de controlo.
- Tenha extremo cuidado ao cortar arbustos e rebentos. O material fino pode ficar preso na corrente da serra e ser projetado na sua direção ou desequilibrá-lo.
- Com a corrente da serra em movimento, coloque a chapa de base (8) na superfície da peça de trabalho e deixe a serra cortar por si mesma. Aplique uma pressão apenas ligeira na serra. A velocidade da corrente não deve ser muito alta.

8.9 Substituir a corrente da serra

- Apenas manuseie a corrente da serra com luvas e em primeiro lugar remova a bateria!
- Inspeccione a corrente da serra e a barra guia e verifique se ocorreram danos ou sinais de desgaste.
- Nunca coloque uma corrente de serra nova numa barra guia usada.
- Deixe as correntes de serra novas aquecer primeiro!
- Ao fixar a corrente de serra, tenha em atenção a direção da mesma!

8.10 Ricochete

- A forma da cobertura de proteção (4) elimina em grande parte o risco de ricochete.
- A serra está otimamente protegida contra ricochete pela cobertura de proteção com proteção de ponta. Nunca retire a tampa de proteção (4). Risco de ferimentos!

8.11 Afiar a corrente da serra

- Os dentes da serra têm de ser afiados se a serradura passar a ser pulverulenta, se for necessário aplicar mais força para a incisão, se deixar de ser possível uma incisão reta ou se as vibrações forem mais fortes.

- As correntes de serras rombas devem ser novamente afiadas.
- Para afiar a corrente utilize um afiador de correntes, certificando-se de que afia a corrente num ângulo de 30°.
- Ou então solicite o afiamento profissional da corrente (aconselhável).
- Substitua a corrente da serra se existirem danos consideráveis que não possam ser reparados por enchimento.
- Guarde a serra NexxSaw e os acessórios no interior, num local seco protegido de pó, sujidade e temperaturas extremas.
- Guarde a serra NexxSaw fora do alcance das crianças ou de pessoas que necessitem de supervisão.

10. Dados técnicos

Tensão da bateria: iões de lítio de 18 V

Velocidade sem carga: 3200 min⁻¹

Velocidade da corrente

sem carga: 4,7 m/s

Comprimento total da espada:179 mm

Comprimento útil da espada:150 mm

Profundidade máx. de corte:150 mm

Peso do produto sem acessórios:

. 1,4 kg

Nível de pressão sonora L_{pA}

Serra multifunções: 76,83 dB(A)

Podador (com mastro

de extensão): 72,20 dB(A)

Incerteza K_{pA} : 3 dB(A)

Nível de potência sonora L_{WA}

Serra multifunções: 87,83 dB(A)

Podador (com mastro

de extensão): 85,40 dB(A)

Incerteza K_{WA} : 3 dB(A)

Vibração transm. mão-braço

Serra multifunções: 1,486 m/s²

Podador (com mastro de extensão)

Dianteira: 1,263 m/s²

Traseira: 0,852 m/s²

Incerteza K: 1,5 m/s²

10.1 Nível de vibração

O valor de vibração e os valores de emissão de ruído declarados foram medidos de acordo com um teste normalizado previsto na norma EN 62841 e podem ser utilizados para comparar ferramentas. O valor total de vibração declarado também pode ser usado numa avaliação preliminar da exposição.

Aviso!

A vibração e a emissão de ruído durante a efetiva utilização da ferramenta elétrica pode diferir do valor total declarado, dependendo da forma como a ferramenta é usada e, em particular, do tipo de peça que está a ser trabalhada.

8.12 Limpar a barra guia

(Ver Fig. G).

- Limpe cuidadosamente o entalhe da barra guia.
- Substitua a barra guia se a ranhura estiver danificada ou gasta e se a corrente da serra tiver demasiado espaço lateral.

9. Manutenção, limpeza e armazenamento

Para um melhor desempenho, mantenha sempre a corrente da serra e a serra NexxSaw em boas condições.

Retire a bateria da ferramenta antes de realizar qualquer ajuste, serviço ou manutenção.

- Limpe a área da roda dentada com uma escova ou ar comprimido. (Ver Fig. H).
- Utilize um pano, pincel ou escova para remover o pó e farpas de madeira. Mantenha sempre as ranhuras de ventilação limpas e sem obstruções.
- Recomendamos a limpeza da sua ferramenta elétrica imediatamente após cada utilização.
- Limpe a ferramenta elétrica regularmente com um pano húmido e algum sabão suave. Não utilize quaisquer materiais de limpeza ou solventes, já que podem danificar os componentes plásticos do dispositivo. Certifique-se de que a água não penetra no interior da ferramenta elétrica.
- Não permita que líquidos penetrem na serra NexxSaw.
- Ocasionalmente, verifique se todos os parafusos estão bem apertados.

É necessário identificar medidas de segurança para proteger o operador com base numa estimativa da exposição nas condições reais de utilização (tendo em conta todas as peças do ciclo de operação, como os momentos em que a ferramenta é desligada e quando está a trabalhar ao ralenti, para além do momento do acionamento). Tente minimizar o impacto da vibração e do ruído. Exemplos de medidas para redução da exposição à vibração incluem a utilização de luvas enquanto opera a ferramenta, a limitação do tempo de trabalho e a utilização de acessórios em boas condições.

11. Acessórios – disponíveis a título opcional

Corrente revestida
a titânio 7" Item n.º 7064352
Barra 7" Item n.º 7064353
Protetor de barra 7" Item n.º 7064387
Mastro de extensão Item n.º 7063826
Afiadora de corrente
de 18 V Item n.º 7063640

12. Eliminação



Não elimine as ferramentas elétricas juntamente com os resíduos domésticos.

Esta ferramenta elétrica é expedida numa embalagem para minimizar os danos de transporte.

Esta embalagem é uma matéria-prima e, como tal, pode ser reutilizada ou reintroduzida no respetivo ciclo. Esta ferramenta elétrica e os seus acessórios são feitos de vários materiais, tais como metais e plásticos. Leve as peças defeituosas para um ponto de recolha especial. Coloque as suas questões a este respeito numa loja da especialidade ou autoridade local.

12.1 Bateria

Pense no ambiente sempre que eliminar baterias. Contacte as autoridades locais para saber a localização da área de eliminação de resíduos mais próxima. Não elimine as baterias juntamente com os resíduos domésticos. Não elimine a bateria queimando-a - risco de explosão.

13. Declaração de conformidade CE

Nós, **Batavia B.V., Weth. Wassebaliestraat 6d, NL-7951 SN Staphorst**, declaramos sob a nossa responsabilidade que o produto **Serra Nexxsaw, Item n.º 7064322, Modelo n.º BT-NXS005** está de acordo com os requisitos básicos definidos nas Diretivas Europeias **2014/30/UE (relativa à compatibilidade eletromagnética (CEM)), 2006/42/CE (relativa às máquinas), 2011/65/UE (relativa à restrição do uso de determinadas substâncias perigosas em equipamentos elétricos e eletrónicos)** e respetivas alterações. Para a avaliação de conformidade, foram consultadas as seguintes normas harmonizadas:

EN IEC 55014-1:2021
EN IEC 55014-2:2021
EN62841-1:2015
EN ISO 11680-1:2011
EN ISO 12100:2010
AfPS GS 2019:01

Staphorst, 1 de setembro de 2022

Meino Seinen, QA Representative
Batavia B.V., Weth. Wassebaliestraat 6d,
7951 SN Staphorst, Países Baixos

O produto e o manual do utilizador podem ser sujeitos a alterações. Os dados técnicos podem ser alterados sem aviso prévio.

Szanowny Kliencie!

Prosimy o zapoznanie się z prawidłowym użyciem urządzenia poprzez przeczytanie każdego z poniższych rozdziałów instrukcji, w podanej kolejności. Zachować instrukcję obsługi do wykorzystania w przyszłości.

Prosimy o przeczytanie załączonych „Ogólnych zaleceń dotyczących bezpieczeństwa dla narzędzi zasilanych elektrycznie” oraz dodatkowych zaleceń bezpieczeństwa zawartych w niniejszej instrukcji obsługi!

Niniejsza instrukcja zawiera najważniejsze informacje dotyczące bezpiecznej obsługi i korzystania z urządzenia. Zachować instrukcję obsługi do wykorzystania w przyszłości. Prosimy o dołączenie instrukcji do urządzenia w przypadku przekazywania urządzenia innej osobie.

Akumulator i ładowarka nie wchodzi w skład zestawu!

Akumulatory i ładowarki Maxxpack są dostępne online oraz w sklepach partnerskich.

1. Objaśnienie symboli

W instrukcji obsługi lub na produkcie stosowane są następujące symbole:



Ostrzeżenie! W celu zredukowania ryzyka obrażeń użytkownik musi przeczytać instrukcję obsługi.



Oznacza ryzyko obrażeń ciała, śmierci lub uszkodzenia narzędzia w przypadku nieprzestrzegania zaleceń zawartych w niniejszej instrukcji.



Zawsze stosować ochronę słuchu. Narażenie na hałas może spowodować utratę słuchu.



Nosić okulary ochronne. Podczas pracy z elektronarzędziami może dochodzić do powstawania iskier, odprysków, wiórów oraz cząstek pyłu, które mogą spowodować utratę wzroku.



Stosować ochronę głowy.



Nosić rękawice ochronne.



Założyć solidne obuwie.



Chronić urządzenie przed deszczem i wodą.



Pamiętać o zjawisku odbicia.



Zachować odpowiednią odległość od przewodów elektrycznych.



CE jest skrótem od „Conformité Européenne”, co oznacza „Zgodnie z przepisami UE”. Za pomocą znaku CE producent potwierdza, że niniejsze elektronarzędzie spełnia wymagania obowiązujących dyrektyw UE.



Nie należy utylizować elektronarzędzi z odpadami domowymi.

2. Dodatkowe środki ostrożności dotyczące pracy z piłą NexxSaw

- a. Pilarka NexxSaw służy do obcinania gałęzi. Pilarki NexxSaw należy używać wyłącznie zgodnie ze wskazówkami dotyczącymi cięcia drewna umieszczonymi w instrukcji. Urządzenie nie jest przeznaczone do ciągłej, profesjonalnej pracy.
- b. Pilarkę NexxSaw należy przechowywać w miejscu niedostępnym dla dzieci. Urządzenie nie jest zabawką.
- c. Osoby posiadające ograniczone zdolności fizyczne, sensoryczne lub mentalne nie mogą użytkować pilarki NexxSaw, chyba że będą nadzorowane lub zostaną poinstruowane w zakresie bezpiecznej obsługi produktu przez wykwalifikowaną osobę.
- d. Zabronione jest użytkowanie pilarki NexxSaw przez dzieci i osoby nastoletnie. Wyjątkiem od powyższego zakazu są odbywające szkolenie osoby młode, powyżej 16 roku życia, które są nadzorowane przez eksperta.
- e. Zwracać uwagę na symbole ostrzegawcze. Zostały nimi oznaczone wszystkie wskazówki, które są ważne ze względu na bezpieczeństwo. Należy przestrzegać

- takich wskazówek, ponieważ ich ignorowanie może prowadzić do poważnych obrażeń ciała!
- f. Z pilarki Nexxsaw może w danym momencie korzystać tylko jedna osoba. Należy upewnić się, że w obszarze roboczym pilarki Nexxsaw nie znajdują się osoby postronne.
- g. Przed każdym użyciem sprawdzić sprawność pilarki Nexxsaw, w szczególności przewodnicy i łańcucha.
- h. Podczas pracy z pilarką należy zawsze zachowywać bezpieczną postawę ciała.
- i. Podczas włączania trzymać urządzenie pewnie i bezpiecznie.
- j. Upewnić się, że podczas włączania urządzenia przewodnica i łańcuch są swobodne i nie stykają się z przecinanym przedmiotem.
- k. Nie zbliżać rąk do miejsca piłowania. Nie wkładać rąk pod obrabiany przedmiot. Kontakt z łańcuchem pilarki może skutkować obrażeniami ciała.
- l. Pilarkę Nexxsaw można prowadzić po obrabianym przedmiocie jedynie wówczas, gdy jest włączona. W przeciwnym razie istnieje ryzyko odbicia w przypadku uwięźnięcia łańcucha w obrabianym przedmiocie.
- m. Podczas piłowania płyta czołowa musi zawsze opierać się o obrabiany przedmiot. Łańcuch pilarki może się zakleszczyć, co może prowadzić do utraty kontroli nad urządzeniem.
- n. Po zakończeniu operacji wyłączyć urządzenie i wyjąć łańcuch urządzenia z nacięcia po jego całkowitym zatrzymaniu się. Pozwoli to uniknąć odbicia.
- o. Należy przymocować obrabiany materiał. Nie należy przytrzymywać obrabianego przedmiotu ręką ani stopą. Nie dotykać włączoną piłą innych przedmiotów ani podłogi (niebezpieczeństwo odbicia).
- p. Podczas cięcia tarczy i cienkich gałęzi zawsze stosować solidne podparcie, na przykład kozły do piłowania. Nie układać drewna w stos.
- q. Przed cięciem dłużyc, unieruchomić drewno.
- r. Podczas pracy na pochyłym podłożu zawsze ustawiać się twarzą w kierunku zbocza.
- s. Zachować szczególną ostrożność podczas cięcia rozłupanego drewna. Drzazgi drewniane mogą zostać wyrwane przez łańcuch pilarki co zwiększa ryzyko obrażeń!
- t. Obce przedmioty, takie jak gwoździe, wkręty, kawałki metalu, piasek itp. powodują szybsze zużycie przewodnicy i łańcucha pilarki.
- u. Tępy łańcuch może prowadzić do przegrzania i uszkodzenia silnika.
- v. Przed sprawdzeniem naprężenia łańcucha, jego regulacją, montażem łańcucha i usuwaniem błędów należy wyjąć akumulator! Akumulator należy również wyjmować, jeżeli urządzenie nie będzie używane przez jakiś czas.

3. Zalecenia dotyczące bezpiecznego korzystania z pił wielofunkcyjnych

3.1 Ogólne ostrzeżenia dotyczące pił wielofunkcyjnych:

- a. **Nie zbliżać żadnej części ciała do łańcucha, gdy pilarka wielofunkcyjna pracuje. Przed uruchomieniem pilarki wielofunkcyjnej upewnić się, że łańcuch pilarki niczego nie dotyka.** Chwila nieuwagi podczas pracy z pilarką wielofunkcyjną może prowadzić do zaplątania się odzieży lub skaleczenia ciała łańcuchem pilarki.
- b. **Podczas wykonywania pracy pilarkę wielofunkcyjną należy trzymać wyłącznie za izolowane powierzchnie uchwytów, ponieważ jej łańcuch może zetknąć się z ukrytym przewodem elektrycznym.** Zetknięcie pilarki łańcuchowej z przewodem pod napięciem może spowodować pojawienie się napięcia na odsoniętych metalowych częściach pilarki wielofunkcyjnej, co może spowodować porażenie operatora prądem elektrycznym.

- c. **Stosować ochronę oczu. Zalecane jest również stosowanie dodatkowych środków ochrony słuchu, głowy, rąk, nóg i stóp.** Odpowiednie środki ochrony redukują ryzyko obrażeń ciała spowodowanych odłamkami lub przypadkowym kontaktem z łańcuchem pilarki.
- d. **Zapewnić odpowiednie oparcie dla stóp i obsługiwać pilarkę wielofunkcyjną, stojąc na twardym, bezpiecznym i równym podłożu.** Śliskie lub niestabilne podłoże może spowodować utratę równowagi i kontroli nad pilarką wielofunkcyjną.
- e. **Podczas cięcia konaru, który jest naprężony, należy uważać na możliwość jego nagłego odskoczenia.** Gdy naprężenie włókien drewna ustąpi, uwolniona energia gwałtownie wypchnie konar, który może uderzyć operatora i/lub spowodować utratę kontroli nad piłą.
- f. **Podczas cięcia małych krzaków i drzewek należy zachować szczególną ostrożność.** Cienkie gałązki mogą zostać pochwycone przez łańcuch piły i odrzucone w kierunku operatora lub spowodować utratę równowagi operatora.
- g. **Pilarkę łańcuchową można przenosić, wyłącznie gdy jest wyłączona, trzymając ją za uchwyt i z dala od ciała. Podczas transportu lub przechowywania piły łańcuchowej zawsze należy zakładać osłonę przewodnicy.** Prawidłowa obsługa piły zmniejszy prawdopodobieństwo przypadkowego kontaktu z poruszającym się łańcuchem.
- h. **Postępować zgodnie z instrukcjami dotyczącymi smarowania, napinania łańcucha oraz wymiany przewodnicy i łańcucha.** Niewłaściwie napięty lub nasmarowany łańcuch może zerwać się lub zwiększyć prawdopodobieństwo odbicia.
- i. **Ciąć wyłącznie drewno. Piły łańcuchowej nie używać do celów niezgodnych z jej przeznaczeniem. Na przykład: nie używać piły do cięcia metalu, plastiku, betonu lub materiałów budowlanych innych niż drewno.** Używanie piły łańcuchowej do prac niezgodnych z jej przeznaczeniem może spowodować zagrożenie.
- j. **Niniejsza piła łańcuchowa nie jest przeznaczona do ścinania drzew.** Używanie piły łańcuchowej do czynności innych niż przewidziane przez producenta może spowodować poważne obrażenia operatora lub osób postronnych.
- k. **Postępować zgodnie ze wszystkimi instrukcjami podczas usuwania zakleszczonego materiału, przechowywania lub serwisowania pilarki. Upewnić się, że wyłącznik znajduje się w pozycji „wyłączony”, a akumulator został wyjęty.** Nieoczekiwane uruchomienie piły łańcuchowej podczas usuwania zakleszczonego materiału lub serwisowania może spowodować poważne obrażenia ciała.
- Nie używać piły łańcuchowej, siedząc na drzewie, stojąc na drabinie lub na dachu ani na żadnym niestabilnym podłożu. Obsługa piły łańcuchowej w taki sposób może spowodować poważne obrażenia ciała.
 - Postępować zgodnie ze wszystkimi instrukcjami podczas usuwania zakleszczonego materiału, przechowywania lub serwisowania piły łańcuchowej. Upewnić się, że wyłącznik znajduje się w pozycji „wyłączony”, a akumulator został wyjęty. Nieoczekiwane uruchomienie piły łańcuchowej podczas usuwania zakleszczonego materiału lub serwisowania może spowodować poważne obrażenia ciała.
 - Nie stawać na palcach, nie przeprowadzać cięcia powyżej wysokości ramion. Pomaga to zapobiegać niezamierzonemu kontaktowi końcówki przewodnicy z przeszkodą i umożliwia lepszą kontrolę nad piłą łańcuchową w nieoczekiwanych sytuacjach.

4. Przyczyny i zapobieganie odbiciu

Odbicie może wystąpić, gdy wierzchołek lub końcówka przewodnicy dotknie przedmiotu, lub gdy drewno zaciśnie się i zakleszczy łańcuch piły w nacięciu.

W niektórych przypadkach kontakt końcówki prowadnicy z obrabianym materiałem może spowodować nagłą reakcję odwrotną, polegającą na odbiciu prowadnicy do góry i do tyłu – w kierunku operatora.

Zaciśnięcie łańcucha piły wzdłuż górnej części prowadnicy może spowodować gwałtowne popchnięcie prowadnicy w kierunku operatora.

Każda z tych sytuacji może być przyczyną utraty kontroli nad piłą łańcuchową i doprowadzić do poważnych obrażeń ciała. Nie należy polegać jedynie na zabezpieczeniach, które zostały wbudowane w piłę łańcuchową. Użytkownik piły łańcuchowej powinien podjąć szereg działań mających zapobiegać wypadkom lub obrażeniom podczas piłowania.

(Patrz **rys. B**). Odbicie jest wynikiem niewłaściwego użycia piły łańcuchowej i/lub nieprawidłowych procedur obsługi lub warunków pracy. Odbicia można uniknąć przez zachowanie opisanych poniżej środków ostrożności.

- a. **Chwyt musi być mocny i pewny – taki w którym kciuk i palce obejmują uchwyt pilarki. Tułów i ramię ustawić w taki sposób, aby oprzeć się siłom odbicia.** Jeśli zostaną podjęte odpowiednie środki ostrożności, siły występujące podczas odbicia mogą być kontrolowane przez operatora. Nie wypuszczać pilarki z rąk.
- b. **Nie stawać na palcach, nie przeprowadzać cięcia powyżej wysokości ramion.** Pomaga to zapobiegać niezamierzonemu kontaktowi końcówki prowadnicy z przeszkodą i umożliwia lepszą kontrolę nad piłą w nieoczekiwanych sytuacjach.
- c. **Stosować wyłącznie prowadnice i łańcuchy tnące określone przez producenta.** Niewłaściwe zamiennie prowadnice i łańcuchy piły mogą spowodować zerwanie łańcucha i/lub odbicie.
- d. **Postępować zgodnie z instrukcjami producenta dotyczącymi ostrzenia i konserwacji łańcucha piły.** Zmniejszenie wysokości ogranicznika głębokości

może prowadzić do zwiększenia odbicia.

5. Przed pierwszym użyciem

Wyjąć urządzenie oraz wszystkie akcesoria z opakowania. Materiały opakowaniowe należy przechowywać poza zasięgiem małych dzieci. Występuje zagrożenie uduszeniem!

6. Zawartość opakowania

- 1× piła łańcuchowa Nexxsaw
- 1× osłona prowadnicy
- 1× śrubokręt L
- 1× instrukcja obsługi

7. Przeznaczenie

- Kompaktowa piła łańcuchowa Nexxsaw została zaprojektowana wyłącznie do cięcia gałęzi. Piła nie jest przeznaczona do użytku komercyjnego.
- Użycie zgodne z przeznaczeniem polega również na przestrzeganiu instrukcji obsługi.
- W połączeniu z wysięgnikiem piła łańcuchowa Nexxsaw może służyć jako urządzenie do cięcia gałęzi.
- Jakikolwiek użycie wykraczające poza powyższe zalecenia (cięcie innych materiałów, nadmierny nacisk) lub jakiegokolwiek zmiany (przebudowa, używanie akcesoriów innych niż oryginalne) może prowadzić do poważnych niebezpieczeństw i jest definiowane jako użytkowanie niezgodne z przeznaczeniem.

8. Sposób użycia

8.1 Montaż łańcucha

(Patrz **rys. C, D, E**).

Podczas obsługi łańcucha zawsze należy nosić rękawice.

- a. Odkręcić śrubę radełkowaną (**16**) w kierunku przeciwnym do ruchu wskazówek zegara, aby zdjąć pokrywę koła zębatego (**17**).
- b. Zdjąć prowadnicę z urządzenia i zamontować wokół niej łańcuch piły. Zwrócić uwagę na kierunek ruchu łańcucha. Oznaczenie widoczne jest na pokrywie łańcucha.

- c. Przełożyć łańcuch przez koło zębate (20), a następnie założyć prowadnicę na sworzeń śruby regulacyjnej łańcucha (19).
- d. W celu nasmarowania łańcucha piły i koła zębatego należy użyć olejarki.
- e. Lekko dokręcić łańcuch piły śrubą regulacyjną łańcucha (7). Aby dokręcić śrubę, użyć dołączonego klucza (12). Aby zwiększyć naprężenie – przekręcić śrubę w kierunku zgodnym z ruchem wskazówek zegara.
- f. Ponownie dokręcić pokrywę koła zębatego (17) śrubą radełkowaną (16) na obudowie.

8.2 Smarowanie

Łańcuch piły musi być smarowany podczas pracy narzędzia.

- Sprawdzić ilość pozostałego oleju w zbiorniku oleju, spoglądając we wzornik oleju (21).
- Delikatnie nacisnąć przycisk podawania oleju (2), aby nasmarować łańcuch.

8.3 Uzupełnianie oleju w zbiorniku:

- Wyjąć baterię z urządzenia.
- Odkręcić korek zbiornika oleju (9) z wlewu zbiornika oleju.
- Wlać olej do zbiornika.
- Po napełnieniu zbiornika należy pamiętać o zakręceniu korka zbiornika oleju piły łańcuchowej.

UWAGA:

- Używać wyłącznie dostępnych w sklepach, biodegradowalnych olejów łańcuchowych.
- Nie używać: oleju silnikowego, zużytego oleju ani innych olejów mineralnych.
- Nigdy nie używaj oleju zawierającego kurz i cząstki lub olejek lotny.
- Jeśli piła wydaje grzechoczące dźwięki, należy nasmarować łańcuch.

Regularnie smarować łańcuch piły Nexx-saw olejem biodegradowalnym.

8.4 Regulacja głowicy piły

(Patrz rys. F).

Pozycję cięcia piły Nexx-saw można regulować, ustawiając głowicę piły pod innym kątem:

Ostrożnie! Nosić rękawice ochronne.

- Wyjąć baterię z urządzenia.
- Nacisnąć przycisk zwalniający (3b).
- Obrócić pokrętko (3a) w prawo, aby umożliwić regulację głowicy piły.
- Ustawić głowicę piły w żądanej pozycji.
- Obrócić pokrętko (3a) w lewo w pozycję pierwotną. Puścić przycisk zwalniający (3b), upewniając się, że zatrzaśnie się na miejscu.

UWAGA: Jeżeli przycisk zwalniający (3b) nie zatrzaśnie się, nie będzie można uruchomić urządzenia. Jest to dodatkowe zabezpieczenie przed przypadkowym uruchomieniem.

8.5 Regulacja naprężenia łańcucha

(Patrz rys. C).

OSTROŻNIE: Nie naprężać łańcucha zbyt mocno. Zbyt silne naprężenie łańcucha może spowodować zerwanie łańcucha, zużycie prowadnicy i pęknięcie koła zębatego.

OSTROŻNIE: Zbyt luźny łańcuch może spaść z prowadnicy.

Po pracy łańcuch piły może się poluzować. Przed każdym użyciem oraz od czasu do czasu należy sprawdzać naprężenie łańcucha.

- a. Wyjąć akumulator.
- b. Lekko odkręcić śrubę radełkowaną (16), aby lekko poluzować pokrywę koła zębatego.
- c. Wyregulować naprężenie łańcucha. Obrócić śrubę regulacji łańcucha (7) w kierunku zgodnym z ruchem wskazówek zegara, aby naprężyć. Aby poluzować łańcuch, przekręcić śrubę w kierunku przeciwnym do ruchu wskazówek zegara. Naprężyć łańcuch tak, aby szczelina między środkiem dolnej strony prowadnicy a łańcuchem wynosiła około 3–4 mm.
- d. Dokręcić śrubę radełkowaną (16), aby zabezpieczyć pokrywę koła zębatego.

8.6 WŁĄCZANIE I WYŁĄCZANIE

Użytkowanie kompaktowej piły łańcuchowej Nexx-saw bez smarowania łańcucha olejem spowoduje uszkodzenie łańcucha i prowadnicy.

- a. Włożyć akumulator do komory akumulatora.
- b. Piłę Nexxsaw trzymać za uchwyt – mocno i pewnie.
- c. Aby włączyć piłę łańcuchową Nexxsaw, w pierwszej kolejności nacisnąć wyłącznik bezpieczeństwa **(1)**.
- d. Następnie należy nacisnąć włącznik/ wyłącznik **(10)**.
- e. W celu wyłączenia piły zwolnić włącznik/wyłącznik.

8.7 Czas docierania nowych łańcuchów piły

- a. Wyjąć akumulator i wyregulować naprężenie łańcucha.
 - b. Włączyć piłę łańcuchową Nexxsaw i pozostawić silnik na biegu jałowym przez ok. 5 minut.
 - c. Wyjąć akumulator i ponownie sprawdzić naprężenie łańcucha. W razie konieczności ponownie naciągnąć łańcuch.
 - d. Po tej czynności wykonywać cięcie przez nie dłużej niż ok. 30 minut. Pamiętać o odpowiednim smarowaniu łańcucha pilarki! Używać pilarki Nexxsaw do trudniejszych zadań i głębszych cięć dopiero po upłynięciu okresu docierania.
- Używać wyłącznie ostrych łańcuchów do pilarki. Nienaostrzony łańcuch zaczyna się częściej. Podczas pracy z nowym łańcuchem częściej sprawdzać jego naprężenie, ponieważ w początkowej fazie łańcuch bardziej się rozciąga.
 - Żywotność łańcucha zależy od należytego smarowania i odpowiedniego naprężenia.
 - Podczas pracy łańcuch rozgrzewa się i może wymagać regulacji naprężenia. Po zakończeniu pracy należy zmniejszyć naprężenie łańcucha, aby nie był zbyt mocno naprężony podczas kolejnego użycia zimnej pilarki.
 - Nie zwiększać naprężenia łańcucha pilarki, jeżeli jest on nadmiernie rozgrzany. Po ostygnięciu łańcuch może się skurczyć i zbyt ciasno naprężyć się na prowadnicy. Przed regulacją naprężenia poczekać na ostygnięcie łańcucha.

- Naprężenie łańcucha pilarki ma istotny wpływ na bezpieczeństwo operatora i sprawność urządzenia. Poprawnie naprężony łańcuch pilarki wydłuża żywotność urządzenia.
- Przed każdym użyciem urządzenia sprawdzić naprężenie łańcucha.
- Gdy naprężenie jest właściwe, możliwe jest ręczne obrócenie łańcucha na prowadnicy (stosować rękawice ochronne) i łańcuch nie zwisa.
- W przypadku nowego łańcucha do pilarki konieczna jest ponowna regulacja naprężenia łańcucha po krótkim okresie pracy.

8.8 Wskazówki dotyczące pracy

- Nigdy nie umieszczają rąk nad osłoną **(4)** ani pod płytą czołową **(8)**. Występuje ryzyko zranienia!
- Nie uruchamiać piły, gdy łańcuch piły dotyka obrabianego przedmiotu, znajduje się w wycięciu lub może w coś uderzyć. Może to prowadzić do poważnych obrażeń ciała.
- Przed rozpoczęciem piłowania przymocować nieprzytwierdzone objekty za pomocą ścisku. Usunąć ciała obce, takie jak gwoździe, wkręty itp.
- Podczas piłowania konaru, który jest naprężony, pamiętać, że może on gwałtownie odskoczyć. Gdy naprężenie włókien drewna zostanie zmniejszone, uwolniony konar może uderzyć operatora i/ lub spowodować utratę kontroli nad pilarką Nexxsaw.
- Podczas cięcia małych krzaków i drzewek należy zachować szczególną ostrożność. Cienkie gałązki mogą zostać pochwycone przez łańcuch piły i odrzucone w kierunku operatora lub spowodować utratę równowagi operatora.
- Gdy łańcuch pilarki obraca się, w pierwszej kolejności oprzeć płytę czołową **(8)** o powierzchnię obrabianego przedmiotu i pozwolić pilarce na swobodne cięcie materiału. Wywierać jedynie lekki nacisk na pilarkę. Nie doprowadzać do znacznego spadku obrotów łańcucha.

8.9 Wymiana łańcucha pilarki

- Podczas obsługi pilarki nosić rękawice ochronne i zawsze zaczynać od wyjęcia akumulatora!
- Sprawdzić łańcuch pilarki i prowadnicę pod kątem uszkodzeń i oznak zużycia.
- Nigdy nie zakładać nowego łańcucha na zużytą prowadnicę.
- Przewidzieć czas i warunki na dotarcie nowego łańcucha!
- Zakładając łańcuch, zwracać uwagę na kierunek jego obracania!

8.10 Odrzut

- Kształt osłony (4) w dużej mierze ogranicza ryzyko odbicia.
- Piła jest optymalnie chroniona przed odbiciem za sprawą osłony z zabezpieczoną końcówką. Nigdy nie demontować osłony (4). Występuje ryzyko zranienia!

8.11 Ostrzenie łańcucha piły

- Zęby łańcucha piły wymagają ostrzenia, gdy wióry powstające podczas cięcia staną się pyliste, gdy do piłowania konieczne jest użycie siły, gdy cięcie prosto przestaje być możliwe, lub gdy zwiększają się wibracje.
- Stępiony łańcuch piły należy naostrzyć.
- Do ostrzenia łańcucha używać ostrzałki do łańcucha, pamiętając, aby ostrzyć łańcuch pod kątem 30°.
- Ostrzenie można również wykonać w zakładzie świadczącym takie usługi (zalecane).
- Wymienić łańcuch, jeżeli posiada znaczne uszkodzenia, których nie da się usunąć przez obróbkę pilnikiem.

8.12 Czyszczenie prowadnicy

(Patrz **rys. G**).

- Dokładnie wyczyścić nacięcie w prowadnicy.
- Wymienić prowadnicę, jeżeli jej rowek jest uszkodzony lub zużyty, przez co łańcuch ma zbyt dużo przestrzeni po bokach.

9. Konserwacja, czyszczenie i przechowywanie

Aby zapewnić maksymalną wydajność, dbać o stan łańcucha i piły Nexxsaw.

Przed przystąpieniem do regulacji, napraw lub konserwacji wyjąć akumulator z urządzenia.

- Wyczyścić okolice koła zębatego za pomocą szczotki lub sprężonego powietrza. (Patrz **rys. H**).
- Za pomocą szmatki, pędzla lub szczotki usunąć kurz i wióry drewniane. Otwory wentylacyjne należy utrzymywać w czystości i zadbać, aby były drożne.
- Zalecamy czyszczenie narzędzia z napędem elektrycznym natychmiast po każdym użyciu.
- Regularnie czyścić elektronarzędzie wilgotną szmatką i niewielką ilością delikatnego mydła. Nie stosować środków czyszczących lub rozpuszczalników; mogą one spowodować uszkodzenie plastikowych części urządzenia. Nie dopuścić, by do wnętrza elektronarzędzia przedostała się woda.
- Nie dopuścić do przedostania się jakiegokolwiek cieczy do wnętrza piły Nexxsaw.
- Od czasu do czasu sprawdzać dokręcenie wszystkich śrub.
- Piłę Nexxsaw oraz akcesoria przechowywać wewnątrz, w suchym miejscu chronionym przed kurzem, zabrudzeniami i ekstremalnymi temperaturami.
- Piłę Nexxsaw przechowywać w miejscu niedostępnym dla dzieci lub osób wymagających nadzoru.

10. Dane techniczne

Napięcie akumulatora:	litowo-jonowy 18 V
Prędkość obrotowa na biegu jałowym:	3200 min ⁻¹
Prędkość obrotowa łańcucha na biegu jałowym:	4,7 m/s
Całkowita długość prowadnicy:	179 mm
Efektywna długość prowadnicy:	150 mm
Maks. głębokość cięcia:	150 mm
Ciężar urządzenia bez akcesoriów:	1,4 kg
Cisnienie dźwięku L _{pA}	
Piła wielofunkcyjna:	76,83 dB(A)
Piła do gałęzi (z wysięgnikiem):	72,20 dB(A)
Niepewność K _{pA} :	3 dB(A)
Moc akustyczna L _{WA}	
Piła wielofunkcyjna:	87,83 dB(A)
Piła do gałęzi (z wysięgnikiem):	85,40 dB(A)
Niepewność K _{WA} :	3 dB(A)
Organ ręki/ramienia	
Piła wielofunkcyjna:	1,486 m/s ²
Piła do gałęzi (z wysięgnikiem)	
Przód:	1,263 m/s ²
Tył:	0,852 m/s ²
Niepewność K:	1,5 m/s ²

10.1 Poziom wibracji

Deklarowany poziom emisji drgań oraz deklarowany poziom emisji hałasu został zmierzony zgodnie ze standardowym testem (EN 62841) i może być używany do porównania urządzeń. Deklarowany poziom emisji drgań może służyć do wstępnej oceny narażenia na wibracje.

Ostrzeżenie!

Emisja wibracji i hałasu podczas użytkowania elektronarzędzia mogą różnić się od deklarowanych wartości, ponieważ zależą od sposobu użytkowania urządzenia, a w szczególności od rodzaju obrabianego materiału.

Niezbędne jest opracowanie środków bezpieczeństwa dla ochrony operatora, które opierają się na oszacowaniu narażenia w rzeczywistych warunkach użytkowania (należy uwzględnić wszystkie części cyklu pracy, na przykład czasy, w których elektro-

narzędzie jest wyłączone, kiedy jest włączone i naciskany jest przycisk spustowy i czasy, kiedy jest włączone, ale pracuje bez obciążenia).

Należy starać się minimalizować wpływ wibracji i hałasu. Przykładami środków umożliwiających ograniczenie narażenia na wibracje są rękawice noszone podczas użytkowania narzędzia, ograniczanie czasu pracy oraz stosowanie akcesoriów w dobrym stanie.

11. Akcesoria – dostępne opcjonalnie

Łańcuch z powłoką tytanową 7"	nr produktu: 7064352
Prowadnica 7"	nr produktu: 7064353
Osłona prowadnicy 7"	nr produktu: 7064387
Wysięgnik	nr produktu: 7063826
Ostrzałka do łańcucha 18 V	nr produktu: 7063640

12. Utylizacja



Nie należy utylizować elektronarzędzi z odpadami domowymi.

Narzędzie z napędem elektrycznym jest dostarczane w opakowaniu celem zredukowania uszkodzeń w czasie transportu.

Opakowanie jest surowcem i jako takie może zostać ponownie użyte lub ponownie przetworzone. Narzędzie z napędem elektrycznym i jego akcesoria wykonane są z różnych materiałów, takich jak metale i tworzywa sztuczne. Uszkodzone elementy należy przekazać do specjalnych punktów gromadzenia odpadów. Informacje o nich można uzyskać w sklepie lub u władz lokalnych.

12.1 Akumulatory

Podczas utylizacji akumulatorów brać pod uwagę środowisko naturalne. Aby uzyskać informacje na temat najbliższego punktu zbiórki odpadów, należy skontaktować się z jednostką władz samorządowych. Nie należy utylizować akumulatorów z odpadami domowymi. Nie należy utylizować akumulatorów przez spalanie, może to prowadzić do wybuchu.

13. Deklaracja zgodności z wymogami UE

Firma **Batavia B.V., Weth. Wassebaliestraat 6d, NL-7951 SN Staphorst**, oświadcza na własną odpowiedzialność, że produkt **Nexx-saw, pozycja nr 7064322, nr modelu BT-NXS005** jest zgodny z podstawowymi wymaganiami, które zostały określone w dyrektywach Europejskich dotyczących **kompatybilności elektromagnetycznej 2014/30/UE (EMC), 2006/42/WE (maszynowej), RoHS: 2011/65/UE** oraz poprawkach do nich. W celu oceny zgodności zastosowane zostały następujące normy zharmonizowane:

EN IEC 55014-1:2021

EN IEC 55014-2:2021

EN62841-1:2015

EN ISO 11680-1:2011

EN ISO 12100:2010

AfPS GS 2019:01

Staphorst, 1 wrzesień 2022 r.



Meino Seinen, Przedstawiciel ds. QA
Batavia B.V., Weth. Wassebaliestraat 6d,
7951 SN Staphorst, Holandia
Produkt i instrukcja obsługi mogą ulec
zmianie. Dane techniczne mogą zostać
zmienione bez wcześniejszego
powiadomienia.

ONE BATTERY FOR ALL TOOLS

MAXPACK 18 V

18 V Cordless collection



BATAVIA

2 YEAR WARRANTY

This product has got a 2 year warranty

Dear Client, if for any reason this product is not working, please ensure you contact our Client Service Centre. Ensure you have your original receipt of purchase. This warranty covers all defects in workmanship or materials in this Batavia product for a two year period from the date of purchase. The warranty does not cover any malfunction, or defect resulting from misuse, neglect, alteration, or repair.

Dieses Produkt hat 2 Jahre Garantie

Sehr geehrter Kunde, unsere Produkte unterliegen einer strengen Qualitätskontrolle. Sollte dieses Gerät nicht einwandfrei sein, so wenden Sie sich bitte immer zuerst an unseren Kunden-Service. Bitte bewahren Sie unbedingt den Kaufbeleg auf. Die Garantieleistung gilt nur für Material-oder Fabrikationsfehler. Ausgeschlossen sind Mängel die durch häufigen Gebrauch, missbräuchlicher und unsachgemäßer Behandlung oder Gewalteinwirkung verursacht worden sind.


Ce produit a 2 ans de garantie

Cher client, Si pour une raison quelconque, ce produit ne fonctionne pas, veuillez contacter notre Centre de service après-vente. Conservez le bon d'achat original. Cette garantie couvre tous les défauts de matériau et de main d'œuvre constatés sur ce produit Batavia pendant une période de deux ans à compter de la date d'achat. Les défauts de fonctionnement et autres résultant d'abus ou de mauvais emploi, de négligence, de modifications ou réparations non autorisées sont exclus de la garantie.

Dit product heeft 2 jaar garantie

Geachte klant, onze producten ondergaan een streng kwaliteitscontrole proces. Wanneer dit product niet correct functioneert, wend u zich alstublieft altijd eerst tot onze klantenservice. Bewaar altijd uw aankoopbewijs. De garantieservice is alleen van toepassing op materiaal- of productiefouten. Uitgesloten zijn gebreken veroorzaakt door intensief gebruik, misbruik en incorrecte behandeling of extern geweld.

Deutschland – Kundenservice – Montag bis Freitag von 9 bis 17 Uhr

 **01805 937 832***

**Other European countries – Customer Services /
Autres pays d'Europe – Service clientèle /
Overige landen Europa – Klantenservice**

Monday till Friday from 8 am until 4 pm / Lundi jusqu'à Vendredi de 9 – 17 heure / Maandag t/m vrijdag van 9 tot 17 uur

 **00800 664 774 00**



*Nur €0,14 /Minute aus dem dt. Festnetz,
max. €0,42/Minute aus den Mobilfunknetzen

Model: BT–NXS005
Item-No.: 7064322
www.bataviapower.com
info@batavia.eu

BATAVIA

2 YEAR WARRANTY

Questo prodotto è garantito per 2 anni

Gentile Cliente, se per una qualche ragione il prodotto non funziona, La invitiamo a mettersi in contatto con il nostro Centro Assistenza Clienti. Si accerti di avere la ricevuta originale dell'acquisto. La garanzia copre tutti i difetti di fabbricazione o di materiale in questo prodotto Batavia per un periodo di 2 anni dalla data di acquisto. La garanzia non copre malfunzionamenti o difetti derivanti da uso inappropriato, improprio, da modifiche o riparazioni.

Este producto tiene dos años de garantía

Estimado cliente: si por cualquier razón este producto no funciona, póngase en contacto con nuestro Centro de Atención al Cliente. Asegúrese de tener a mano la factura de compra original. Esta garantía cubre todos los defectos de mano de obra o materiales de este producto de Batavia por un periodo de dos años a partir de la fecha de compra. La garantía no cubre ningún mal funcionamiento o defectos resultantes del mal uso, negligencia, alteración o reparación.


Este produto tem uma garantia de 2 anos

Estimado Cliente, se, por qualquer motivo, este produto não estiver a funcionar devidamente, contacte o nosso Centro de Apoio ao Cliente. Certifique-se de que possui a prova de compra original. Esta garantia cobre todos os defeitos de fabrico ou materiais do produto Batavia durante um período de dois anos, a contar da data de compra. A garantia não cobre quaisquer avarias ou defeitos resultantes de um uso indevido, negligência, modificações ou reparações.

Produkt posiada 2-letnią gwarancję.

Szanowny Kliencie! Jeśli z jakiegokolwiek powodu niniejszy produkt nie działa, prosimy skontaktować się z naszym Centrum obsługi serwisowej. Upewnij się, że posiadasz oryginalny dowód zakupu. Niniejsza gwarancja obejmuje wszystkie wady produkcyjne i materiałowe w produktach Batavia przez okres dwóch lat od daty zakupu. Gwarancja nie obejmuje żadnych usterek lub uszkodzeń wynikających z nieprawidłowego użycia, zaniedbania, modyfikacji lub naprawy.

Deutschland – Kundenservice – Montag bis Freitag von 9 bis 17 Uhr


 **01805 937 832***

Other European countries – Customer Services /

Autres pays d'Europe – Service clientèle /

Overige landen Europa – Klantenservice

Monday till Friday from 8 am until 4 pm / Lundi jusqu'à Vendredi de 9 – 17 heure / Maandag t/m vrijdag van 9 tot 17 uur

 **00800 664 774 00**



*Nur €0,14 /Minute aus dem dt. Festnetz,
max. €0,42/Minute aus den Mobilfunknetzen

Model: BT–NXS005

Item-No.: 7064322

www.bataviapower.com

info@batavia.eu