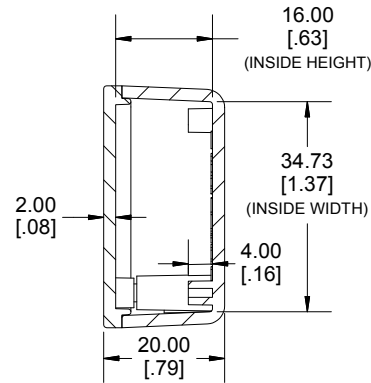
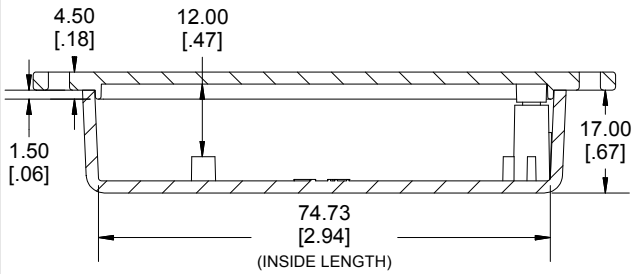
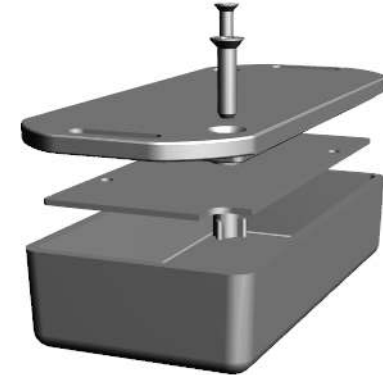


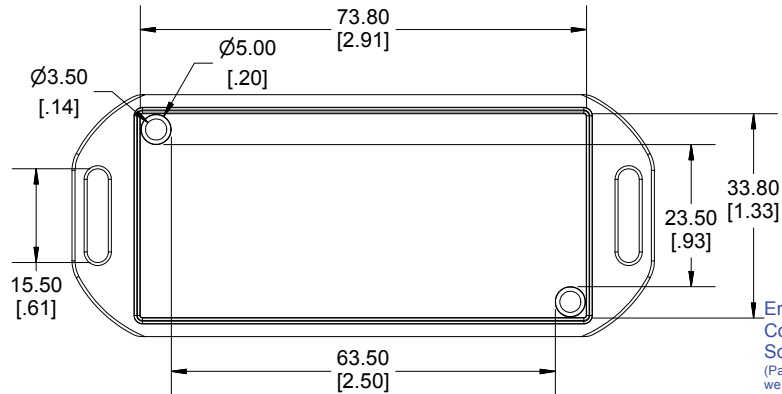
TOP VIEW



**END VIEW
SECTION B-B**

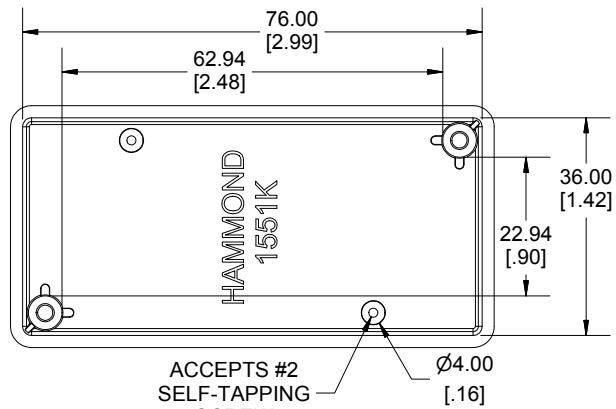


**SIDE VIEW
SECTION A-A**

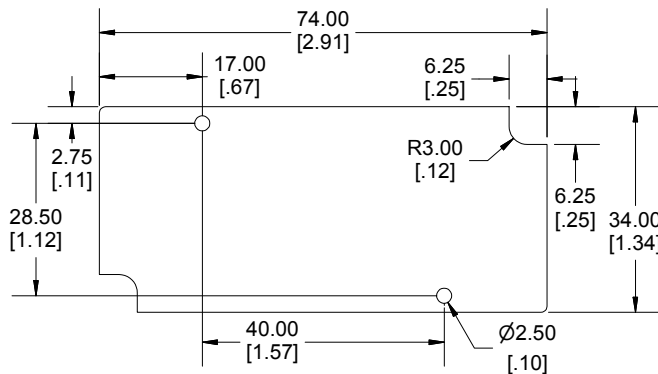


INSIDE LID

Enclosures can be Factory Modified (Milling, Drilling, Printing etc.)
 Contact Factory mjm@hammondmfg.com for quotes
 Solid models of this enclosure available in STEP or IGES.
 (Part number and text placement/orientation on our products are subject to change,
 we do not recommend using them as a locating reference for modification purposes)



INSIDE BOX



**MAXIMUM
P.C. BOARD SIZE**

Dimensions:
mm
[inches]

NOTE	
Purchased assembly includes box, lid, 2 cover screws.	
Enclosure molded from general purpose ABS Plastic.	
Other materials / colours available consult factory.	
Recommended Torque : (35-43) Ozf.in / (25-30) cN.m	
PART NUMBERS	
1551KFL Enclosure	
Black Enclosure - Ral 9011 - UL94 - HB	1551KFLBK
Gray Enclosure - RAL 7035 - UL94 - HB	1551KFLGY
Tranlucent Blue - UL94 - HB	1551KFLTBU
ACCESSORIES	
Black Cover Screws #4 X 1/2" Self-tapping	1591TS100BK (Pkg 100)
Plated Cover Screws #4 X 1/2" Self-tapping	1591TS100 (Pkg 100)
P.C. Board Screws [#2 x 3/16" self-tapping (4.8mm)]	1551ATS100 (Pkg 100)

**HAMMOND
MANUFACTURING**

1551KFL

www.hammondmfg.com