

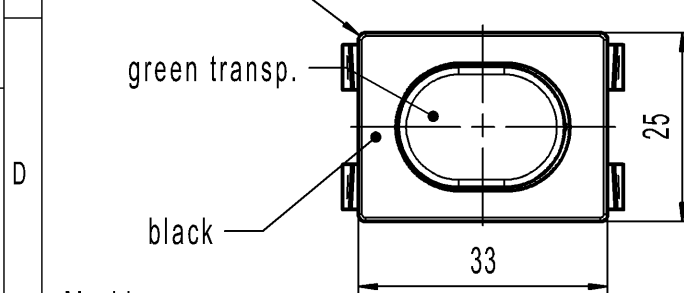
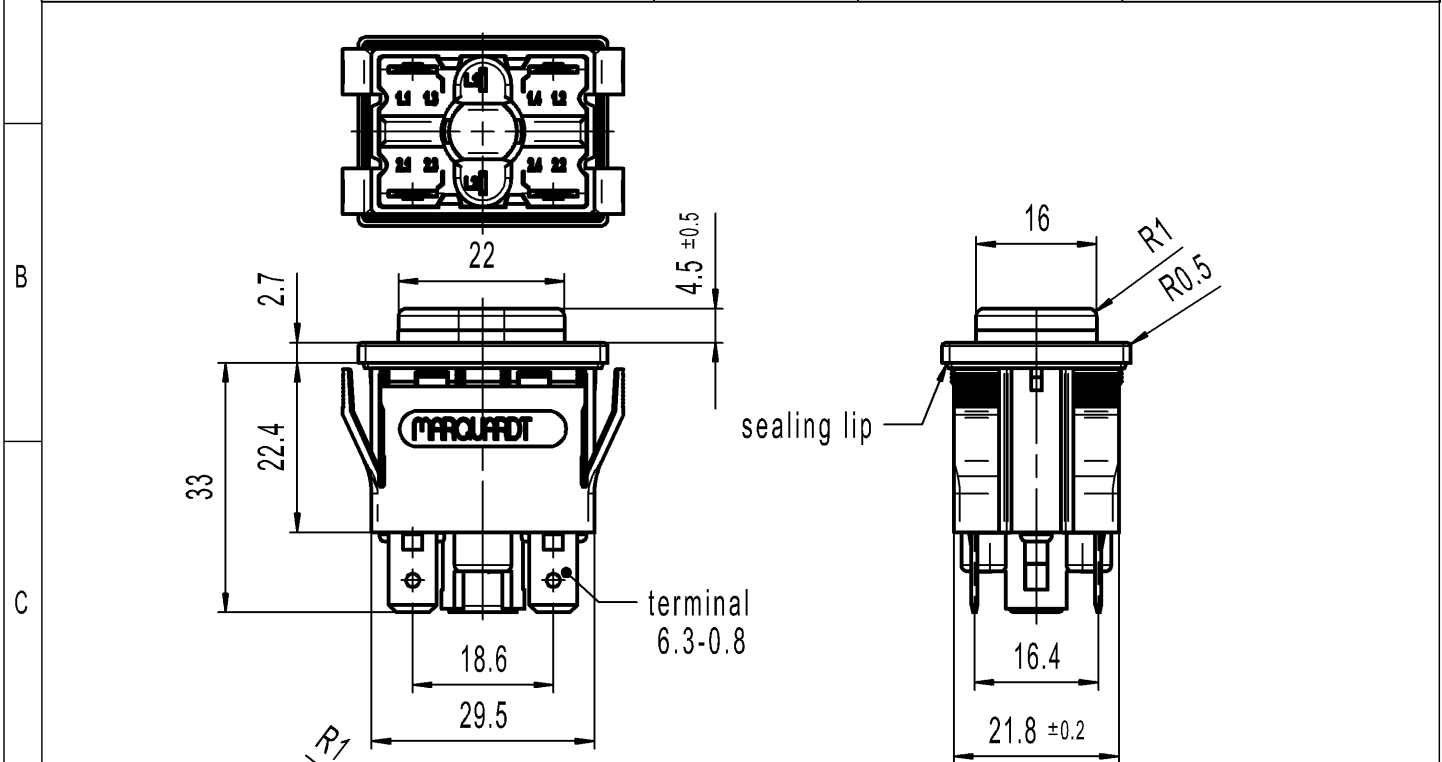
THIS DRAWING IS THE EXCLUSIVE PROPERTY OF MARQUARDT. WITHOUT THEIR CONSENT IT MAY NOT BE REPRODUCED OR GIVEN TO THIRD PARTIES.

CONFIDENTIAL

VERTRAULICH

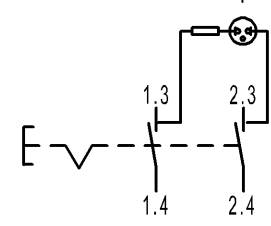
Alle Rechte bei Marquardt, auch fuer den Fall von Schutzrechtsanmeldungen. Jede Verfuugungsbefugnis, wie Kopier- und Weitergaberecht, bei uns.

A	1	2	3	4	
	recommended cut-out for snap-in fixing (edge opposite to snap-in direction)		wall thickness	length of cut-out	width of cut-out
			0.8 to 5	30 +0.15	22.2 +0.15

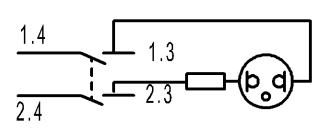
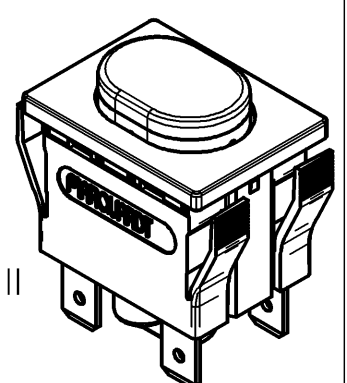


"The IP- protection mentioned in our documents refers to the actuating side of the switch. The sealing between switch and customer appliance and the testing of the tightness have to be effected by the customer."

Marking  
 MARQUARDT®  
 1670.  
 16(4)/250~ T85/55



DPST  
 Neon lamp with Rv for 230 V AC  
 Total travel 4±0.4  
 Suitable for appliances of class II  
 Actuating side protected acc. to  
 DIN 40 050, IP 54



Code of manufacture: place/year/week

-		-		-		1670.5202-XX	
Figure		Type		Customer Part No.		Art.No.-PI	
Shape and location	Angle ± 2 °	Length		Radii		Sheet	01
	Edge tolerance	0-6	± 0.2			Ident.	K
⊙ ≡		>6-15	± 0.4			Document number	16705202
		>15-30	± 0.4			Index	f
		>30-70	± 0.6			Appliance Switch	
f	137245	2022-02-25		MOHITEN		All dimensions are in millimetres	
e	36501	2003-09-01		VOR		Format	A4
d	32547	2002-06-10		SIG		Projection	
c	28173	1999-10-11		MUT		Scale	1:1
Index	MEC-No.	Date (YYYY-MM-DD)		Edited by		System NX V1872	
						Replacement of	
						Zg.gl.Nr.v.01.09.1993	

