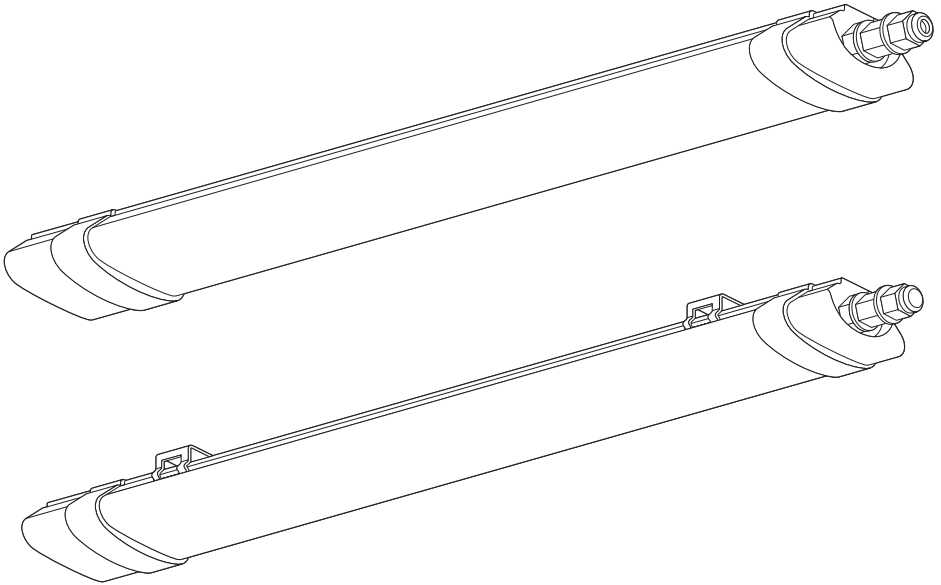


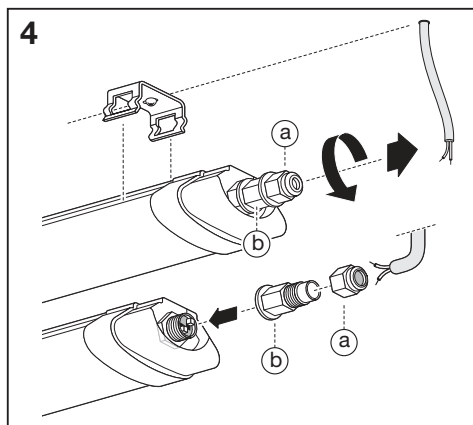
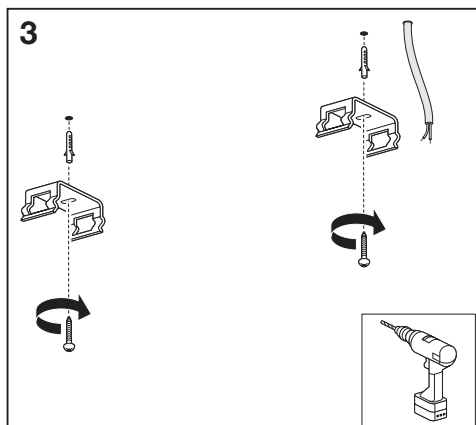
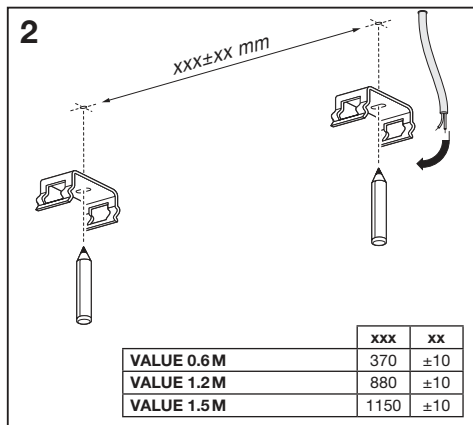
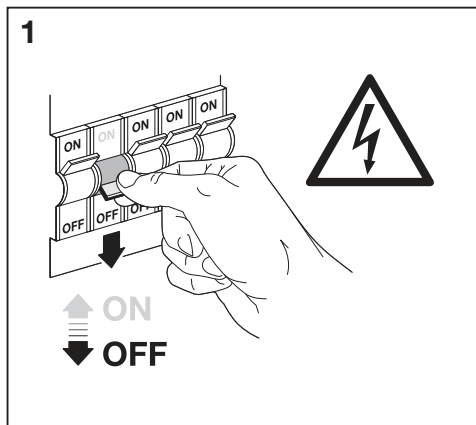
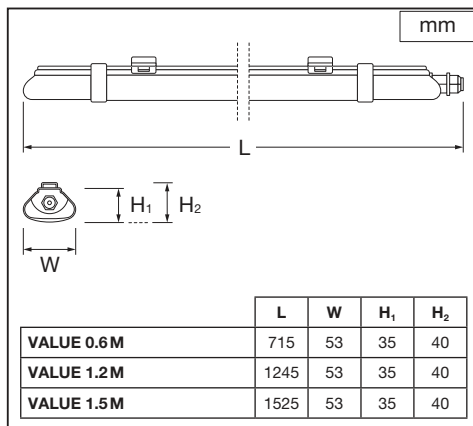
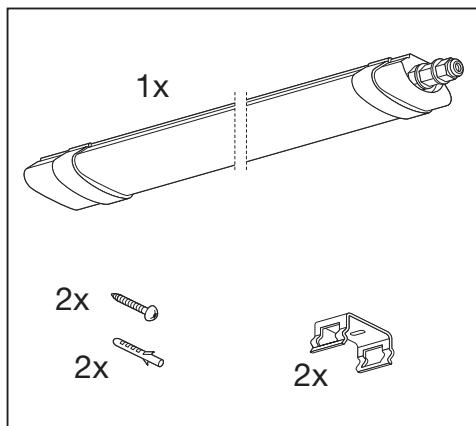
---

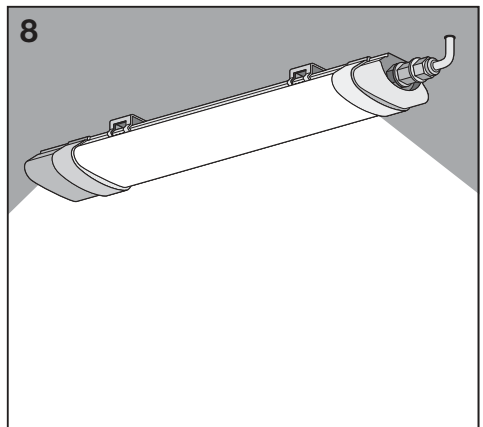
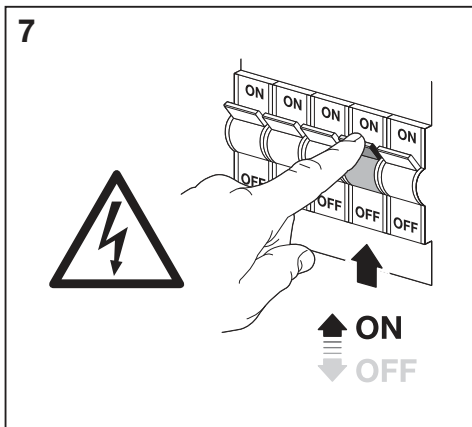
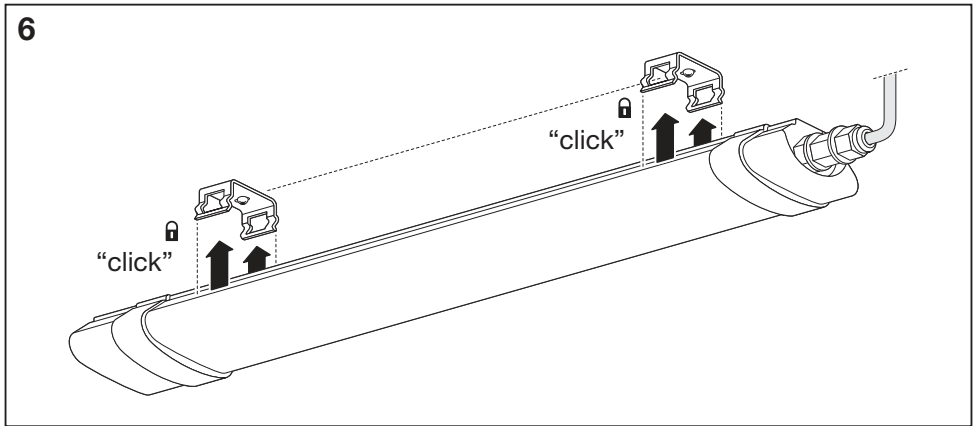
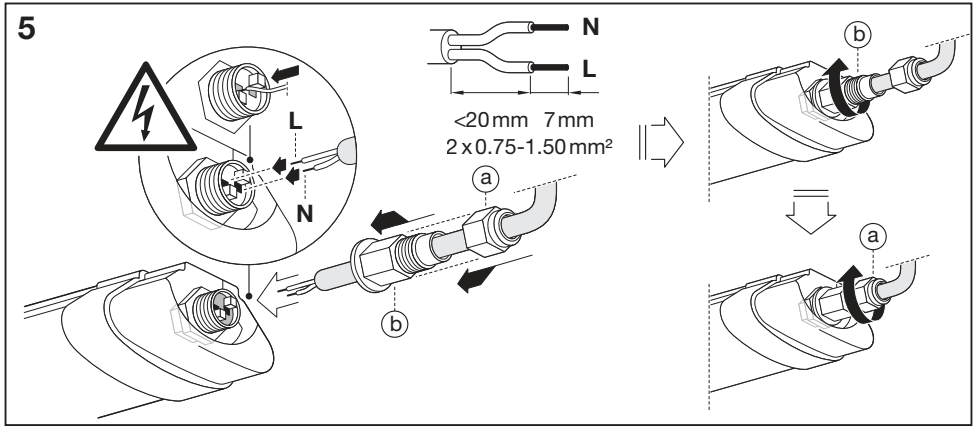
**SubMARINE®**  
**INTEGRATED SLIM**


---



	EAN	W	lm	K	IP	⊖(°C)	V~	mA	Hz	PF	👤
<b>SUBMARINE® INTEGRATED SLIM VALUE 0.6 M</b>	4058075266391	10	900	4000	65	-20...+35	220-240	100	50/60	>0.5	0.2 kg
<b>SUBMARINE® INTEGRATED SLIM VALUE 1.2 M</b>	4058075266414	18	1600	4000	65	-20...+35	220-240	170	50/60	>0.5	0.3 kg
<b>SUBMARINE® INTEGRATED SLIM VALUE 1.5 M</b>	4058075266438	24	2160	4000	65	-20...+35	220-240	230	50/60	>0.5	0.4 kg







C10449057  
G11071919  
22.03.2019



LEDVANCE GmbH  
Steinerne Furt 62  
86167 Augsburg, Germany  
[www.ledvance.com](http://www.ledvance.com)