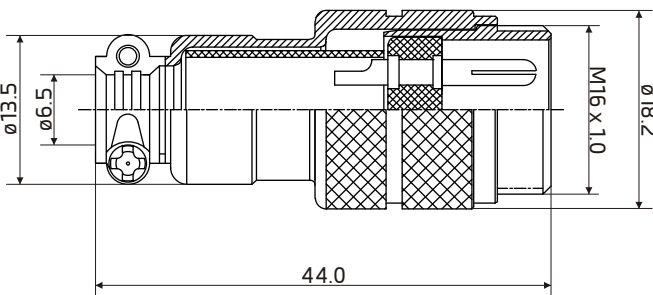
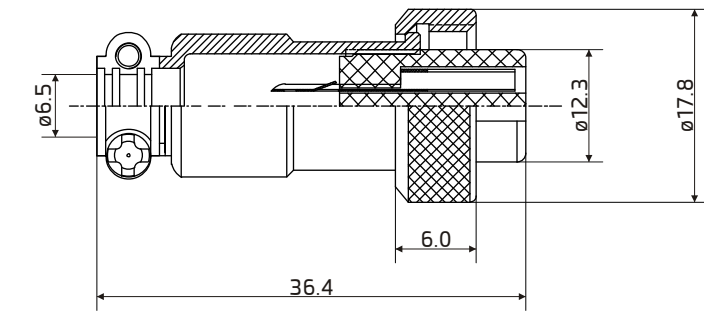


**Straight Pin Plug to Pin Socket**



Dimension: mm±0.2

**Specification**

Number of Contacts: 9  
Mating thread type: M16

**Material**

Shell: Nickel plated Zinc Alloy  
Insulation: Black Bakelite  
Contact: Silver plated Copper

**Electrical**

Operating voltage: 30V  
Rated current: 1A  
Insulation resistance: 100 MΩ min.  
Contact resistance: 10 mΩ max.

**Environment**

Operation temperature: -20 to 85°C  
Protect class: IP55  
Termination: Solder  
Suit Cable size: O.D. ø6.5mm max.  
Wire guide: AWG 22 - 20  
Conductor cross-section: 0.34 - 0.5mm<sup>2</sup>