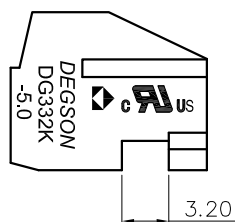
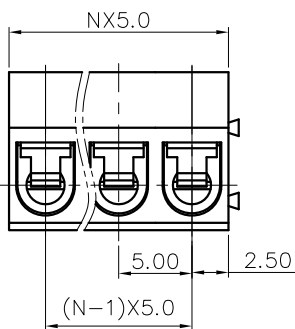
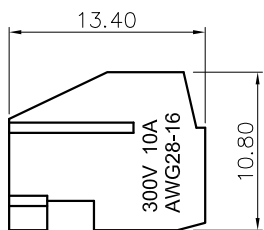
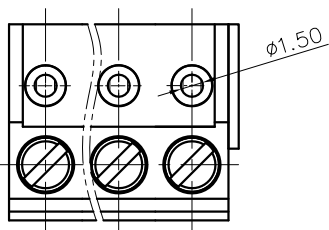
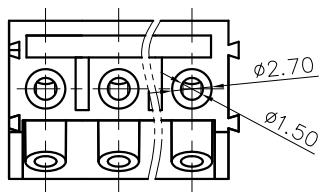


REVISION RECORD				
REV	ECN	DESCRIPTION	DRFT	DATE



NOTES1:

UL Standard

1. Rated voltage/current : 300V / 10A
2. Torque value : M2.5 , 3.54Lb.in
3. Wire range : 28~16AWG

IEC Standard

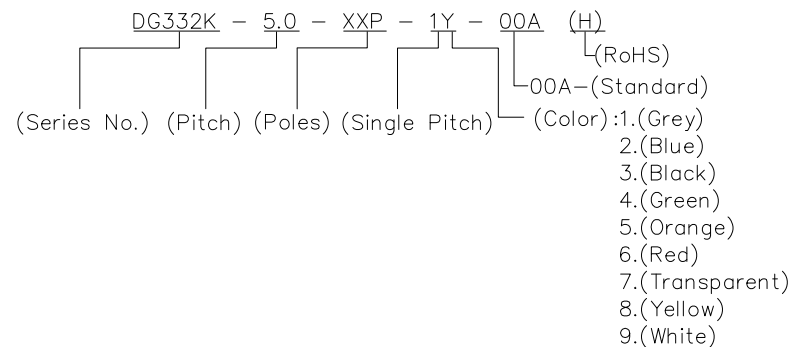
1. Rated voltage/current : 250V / 12A
2. Torque value : M2.5 , 0.4N·m
3. Wire range : 0.2~1.5mm²

NOTES2:

1. Dimension shall be interpreted per ASME Y14.5-2009
2. Pitch : 5.0mm, Poles : N=2~12P
3. Stripping length : 5~6mm
4. Withstanding voltage : AC2000V/1Min
5. Operating temperature : -30°C~+120°C
6. Undimensioned tolerances:

Pitch range in mm		Nominal dimension range in mm					-	∩	∇
TO	Over	Over	TO	Over	Over	Over			
6	10	10	30	30	60	100	150	0.1/10	
±0.15	±0.20	±0.30	±0.30	±0.50	±0.70	±1.00	±1.30	±2*	

7. RoHS Compliance



DETACHED LISTS	PART NO.:	宁波高松电子有限公司 NINGBO DEGSON ELECTRICAL CO., LTD			
	APPD:	NAME: DG332K-5.0-XXP-1Y-00A(H)			
	CHKD:	TITLE: CUSTOMER DRAWING		REV	DO
	DRFT:	DRAWING NO.:		SHEET	1/1
THIRD ANGLE PROJECTION		MM (INCH)	DO NOT SCALE DRAWING	SCALE	1:1