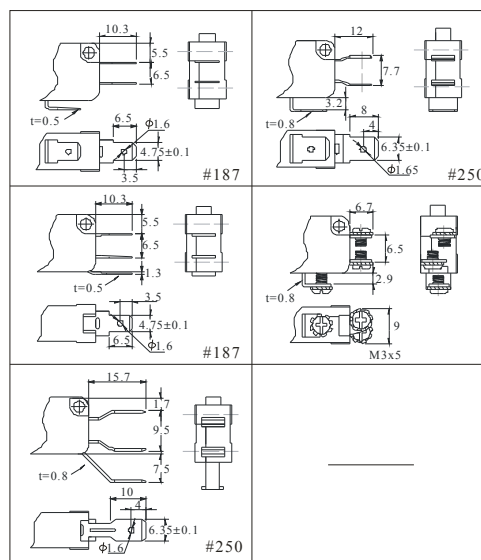
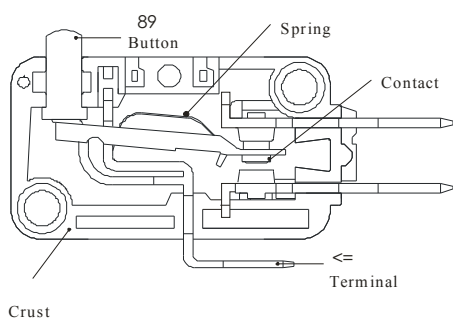
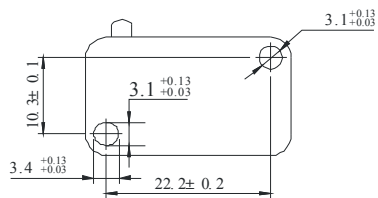
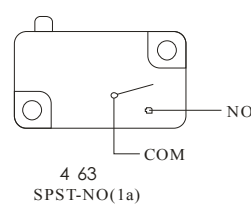
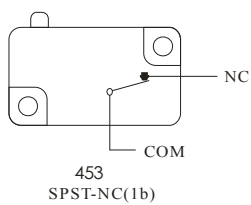
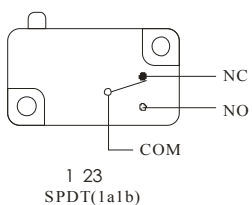


OF max.	200g
RF min.	50g
PT max.	1.2mm
OT min.	0.6mm
MD max.	0.5mm
OP	21.3 0.4mm



## Specification

Item	Data	
Operating speed	0.1mm-1m/s	
Operating frequency	Mechanical	600times/min
	Electrical	40times/min
Insulation resistance	100MΩ (Above) DC500V	
Contact resistance	25mΩ (initial value)	
Withstand voltage	Non-connection wire	1500VAC
	Every terminal	2000VAC
Vibration	Misoperation	10-55Hz Amplitude 1.5mm
Impact	Durable	1000m/s
	Misoperation	300m/s
Life	Electrical	100,000 above
	Mechanical	1,000,000 above
Protection degree	IP40	
Operating temperature	-25~+80°C	
Operating humidity	<85%	

## Rating

Ue(V)	Ie(A)	Ith(A)
AC-250	7.5	10
AC-125	15	20
DC-250	0.3	0.45
DC-125	0.6	0.75