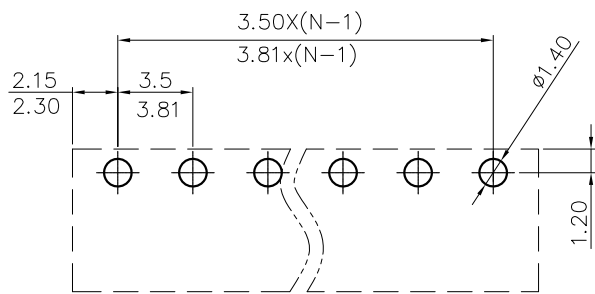
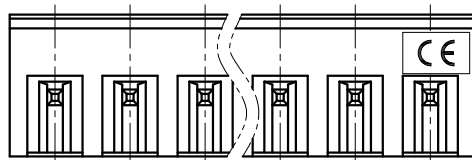
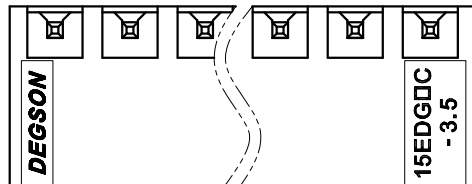


REVISION RECORD				
REV	ECN	DESCRIPTION	DRFT	DATE



PCB LAYOUT



NOTES1:

- UL Standard
- 1.Rated voltage/current : 300V / 8A
- 2.Withstanding voltage : AC1600V/1Min.

IEC Standard

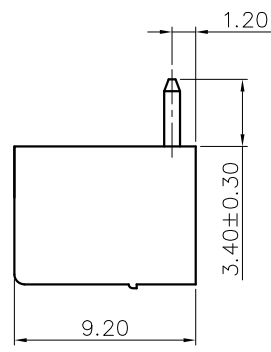
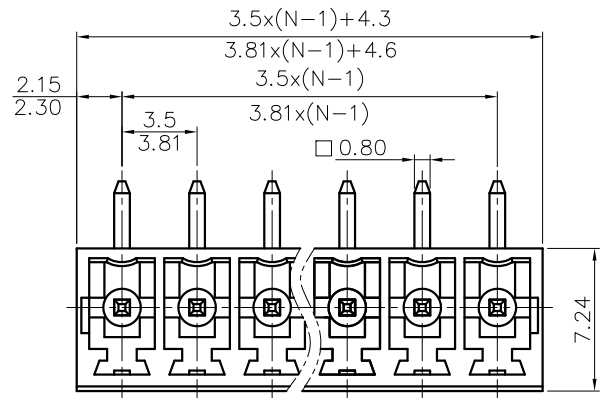
1. Pollution Degree	2
Overvoltage Category	II
Rate Impulse Voltage(KV)	2.5KV
Rate Voltage(V)	250V
Rate Current(A)	7A

NOTES2:

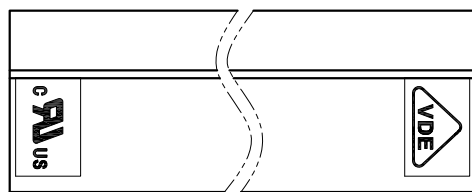
- 1.Dimension shall be interpreted per ASME Y14.5-2009
- 2.Pitch : 3.5/3.81mm, Poles : N=02~24P
- 3.Operating temperature: -40°C~+105°C
- 4.Undimensioned tolerances:

Pitch range in mm		Nominal dimension range in mm				-	∩	□
TO	Over	Over	TO	Over	Over	Over	0.1/10	
6	10	10	TO	30	60	100	150	<
±0.15	±0.20	±0.30	±0.30	±0.50	±0.70	±1.00	±1.30	±2*

5.RoHS Compliance



15EDGRC - 3.5/3.81 - XXP - 1Y - 00A (H)  
 (Series No.) (Pitch) (Poles) (Single Pitch) (Color):1.(Grey)  
 2.(Blue)  
 3.(Black)  
 4.(Green)  
 5.(Orange)  
 6.(Red)  
 7.(Transparent)  
 8.(Yellow)  
 9.(White)



DETACHED LISTS	PART NO.:	/			
	APPD:	/			
	CHKD:	/			
	DRFT:	/			
	NAME:	15EDGRC-3.5/3.81-XXP-1Y-00A(H)			
	TITLE:	CUSTOMER DRAWING	REV	D0	
	DRAWING NO.:	/	SHEET	1/1	
	THIRD ANGLE PROJECTION	MM (INCH)	DO NOT SCALE DRAWING	SCALE	1:1

宁波高松电子有限公司  
 NINGBO DEGSON ELECTRICAL CO., LTD

15EDGRC-3.5/3.81-XXP-1Y-00A(H)

CUSTOMER DRAWING

1/1

DO NOT SCALE DRAWING

1:1