

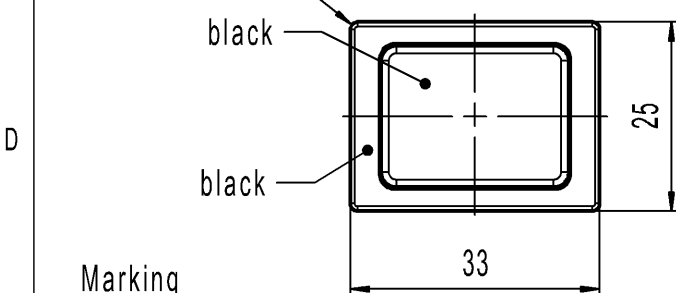
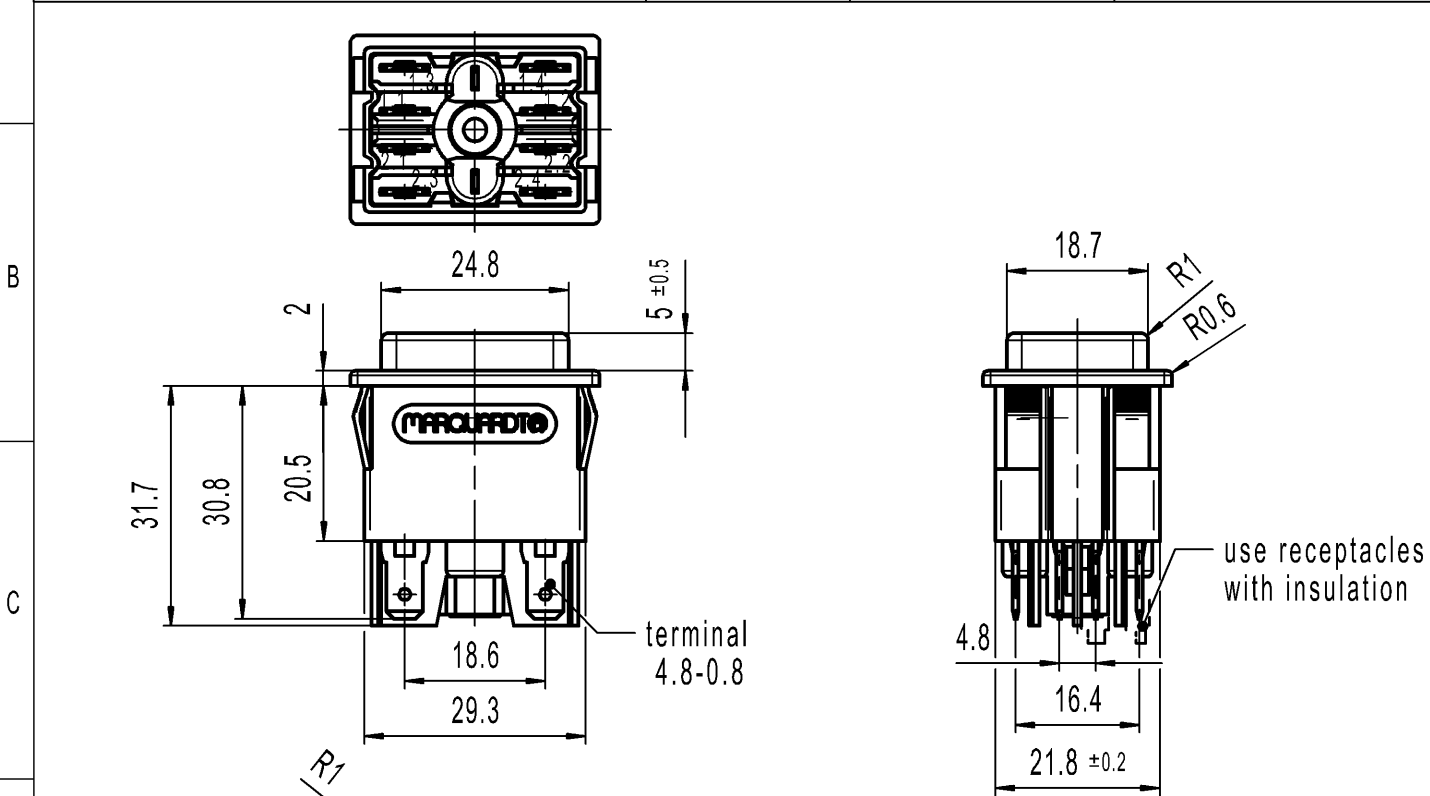
THIS DRAWING IS THE EXCLUSIVE PROPERTY OF MARQUARDT. WITHOUT THEIR CONSENT IT MAY NOT BE REPRODUCED OR GIVEN TO THIRD PARTIES.

CONFIDENTIAL

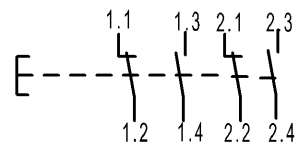
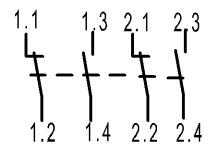
VERTRAULICH

Alle Rechte bei Marquardt, auch fuer den Fall von Schutzrechtsanmeldungen. Jede Verfuugungsbefugnis, wie Kopier- und Weitergaberecht, bei uns.

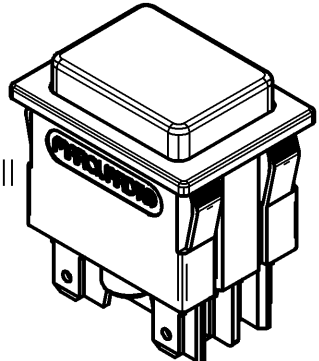
A	recommended cut-out for snap-in fixing (edge opposite to snap-in direction)	1	2	3	4
		wall thickness	length of cut-out	width of cut-out	
		0.75 to 1	30 +0.1	22.2 +0.2	
		>1 to 1.5	30.2 +0.1	22.2 +0.2	
		>1.5 to 3	30.4 +0.1	22.2 +0.2	



Marking
MARQUARDT®
1663. μ
12(4)/250~ T85



Double pole changeover
Total travel 4.5±0.4
Suitable for appliance of class II



Code of manufacture: place/year/week

-	-	-	1663.0101-XX
Figure	Type	Customer Part No.	Art.No.-PI
Shape and location	Angle ± 2 °	Sheet 01	Ident. K
	Edge tolerance	Format DIN A4	Document number 16630101
☉ ≡		Projection	Index c
		Scale 1:1	Appliance Switch
All dimensions are in millimetres		MARQUARDT	
c	137245	2022-02-25	MOHITEN
b	32547	2002-05-28	SIG
a	18325	1987-12-08	PA
Index	MEC-No.	Date (YYYY-MM-DD)	Edited by
System NX V1872		Replacement of	
Zg.gl.Nr.v.22.10.1982			