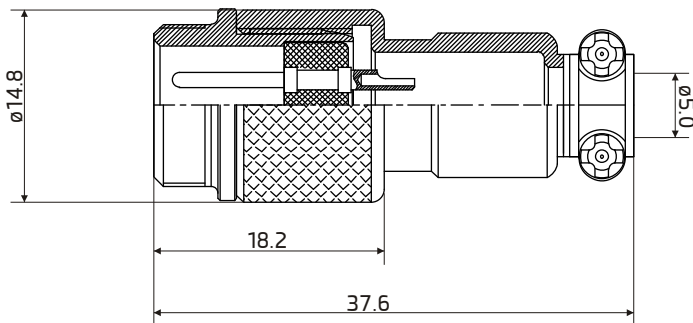
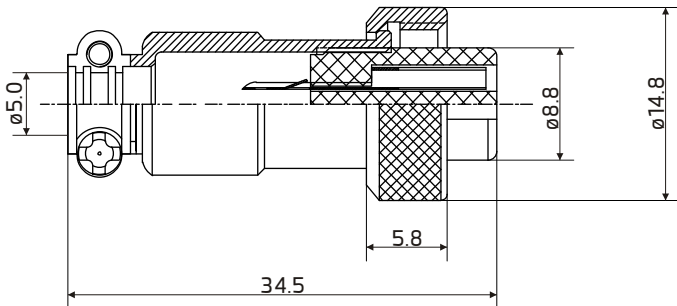
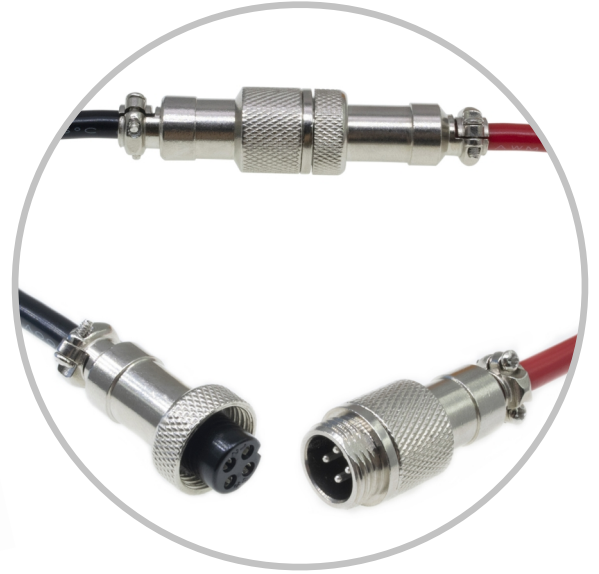


# Datenblatt

## M12 Circular Connector, 4 contacts, Wire to Wire

### Straight Pin Plug to Pin Socket



Dimension: mm±0.2

#### Specification

Number of Contacts: 4  
Mating thread type: M12

#### Material

Shell: Nickel plated Zinc Alloy  
Insulation: Black Bakelite  
Contact: Silver plated Copper

#### Electrical

Operating voltage: 60V  
Rated current: 2 A  
Insulation resistance: 100 M $\Omega$  min.  
Contact resistance: 10 m $\Omega$  max.

#### Environment

Operation temperature: -20 to 85°C  
Protect class: IP55  
Termination: Solder  
Suit Cable size: O.D.  $\varnothing 5$ mm max.  
Wire guide: AWG 22 - 20  
Conductor cross-section: 0.34 - 0.5mm<sup>2</sup>