

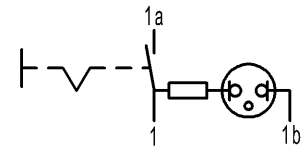
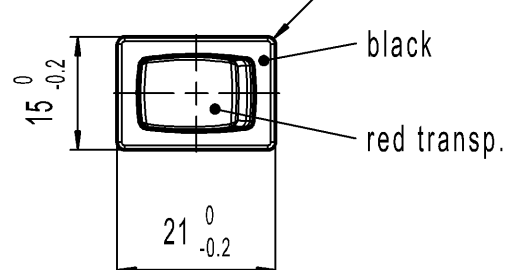
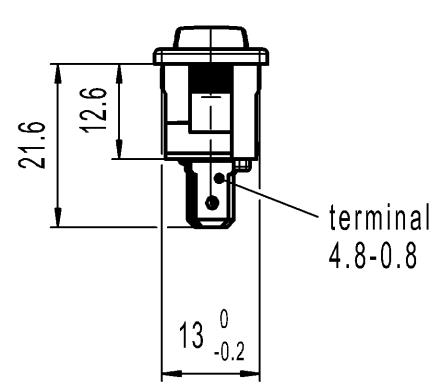
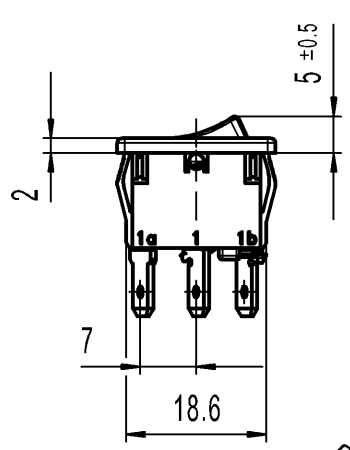
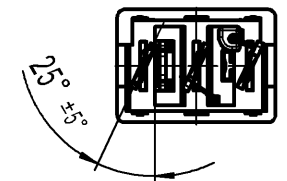
THIS DRAWING IS THE EXCLUSIVE PROPERTY OF MARQUARDT. WITHOUT THEIR CONSENT IT MAY NOT BE REPRODUCED OR GIVEN TO THIRD PARTIES.

CONFIDENTIAL

VERTRAULICH

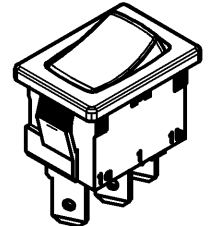
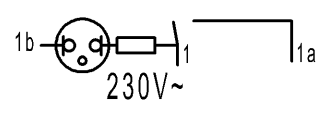
Alle Rechte bei Marquardt, auch fuer den Fall von Schutzrechtsanmeldungen. Jede Veruegungsbefugnis, wie Kopier- und Weitergaberecht, bei uns.

A	recommended cut-out for snap-in fixing (edge opposite to snap-in direction)	1	2	3	4
		0.75 to 1.25	1.25 to 2	2 to 3	width of cut-out
		19.2-0.1	19.4-0.1	19.8-0.1	length of cut-out
		12.9+0.1	12.9+0.1	12.9+0.1	wall thickness



SPST  
Neon lamp with Rv for 230V AC  
Suitable for appliances of class II

Marking  
 1800.  
 6(4)/250~5E4  
 10(4)250~ T100/55  
 6A 250V AC  
 1/2HP  
 R87



Code of manufacture: place/year/week

-	-	-	1800.1102-XX
Figure	Type	Customer Part No.	Art.No.-PI
Shape and location	Angle ± 2°	Sheet 01	Ident. K
	Edge tolerance	Format DIN A4	Document number 18001102
	Length	Projection	Index d
	Radii	Scale 1:1	Appliance Switch
		All dimensions are in millimetres	
d	137892	System NX V1872	 <b>MARQUARDT</b>
c	29972	Replacement of	
b	15826	Zg.gl.Nr.v.13.11.2000	
Index	MEC-No.	Date (YYYY-MM-DD)	
		Edited by	