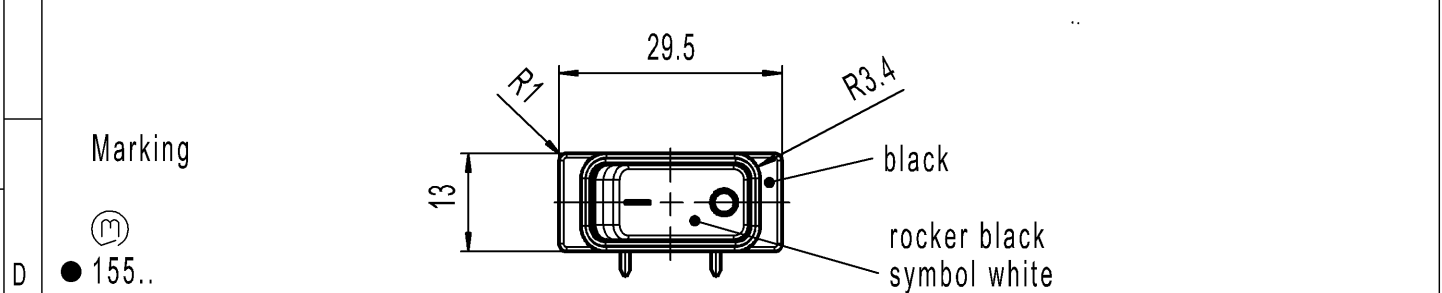
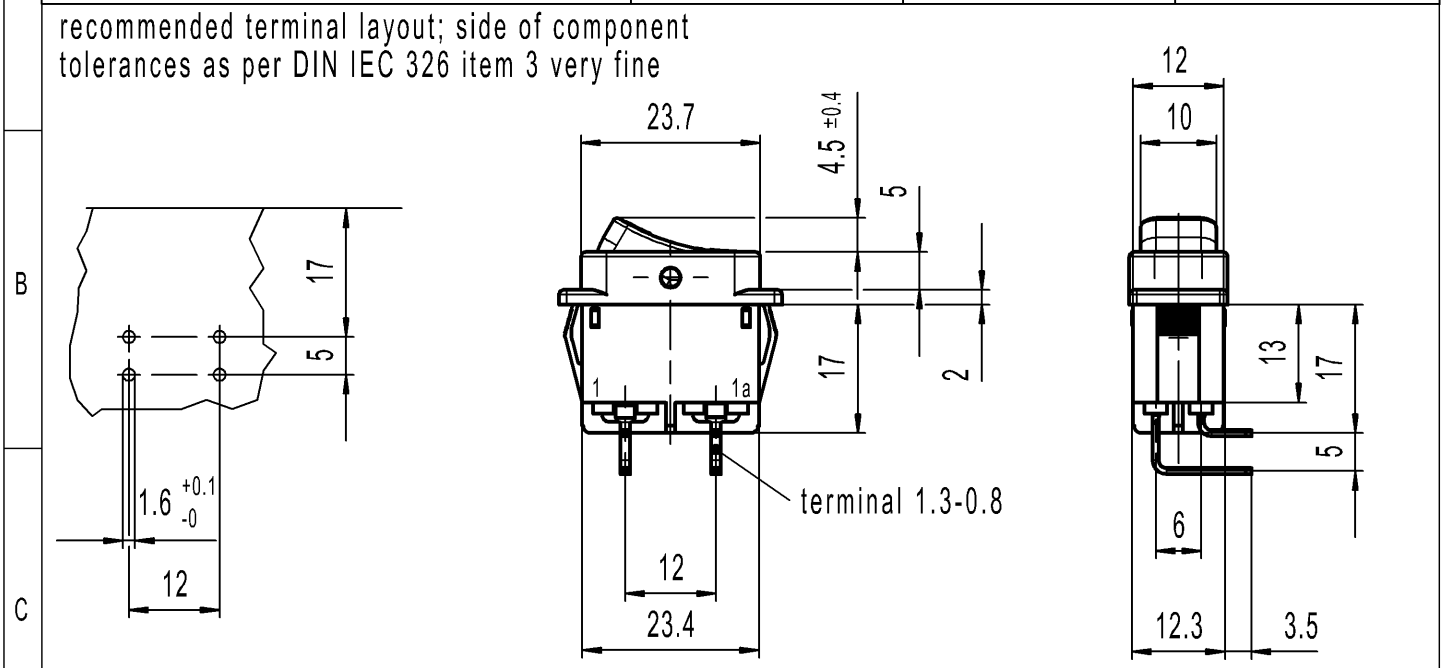


CONFIDENTIAL

VERTRAULICH

THIS DRAWING IS THE EXCLUSIVE PROPERTY OF MARQUARDT. WITHOUT THEIR CONSENT IT MAY NOT BE REPRODUCED OR GIVEN TO THIRD PARTIES.

A	recommended cut-out for snap-in fixing (edge opposite to snap-in direction)	1	2	3	4
		wall thickness	length of cut-out	width of cut-out	
		0.75 to 1.25	26.2 -0.1	12.4 +0.1	
		1.25 to 2	26.4 -0.1	12.4 +0.1	
		2 to 3	26.8 -0.1	12.4 +0.1	



(M)
 ● 155..
 16 (4) / 250 ~
 10 (4) / 250 ~ 5E4 T100/55 T100
 5/100A 250V ~

16A 125-250V AC
 1 HP 125V AC
 2 HP 250V AC
 R38

Code of manufacture:
place/year/week

DPST

Suitable for appliances of class II

-		-		-		1552.4602-XX			
Figure		Type		Customer No.		Art.No.-PI			
Shape and location	Angle ± 2°	Length		Radii		Sheet 01	Ident. K	Document number 15524602	Index g
	Edge tolerance	0-6 ± 0.2	±	0-6 ± 0.2	±				
		>6-15 ± 0.4	±	>6-15 ±	±	All dimensions are in millimetres			
		>15-30 ± 0.4	±	>15-30 ±	±				Appliance Switch
		>30-70 ±	±	>30-200 ±	±	MARQUARDT			
		>70-120 ±	±		±				Replacement of
		>120-200 ±	±		±	Zg.gl.Nr.v.18.04.1988			
			±		±				System NX V11.0
			±		±	Edited by			
g	134536	2020-11-24		MATHPATIR					MARQUARDT
f	69572	2010-10-11		HHE					
d	23635	1996-01-16		RS		Replacement of			
c	22971	1994-09-21		MUT					
Index	MEC-No.	Date (YYYY-MM-DD)		Edited by		Zg.gl.Nr.v.18.04.1988			

Alle Rechte bei Marquardt, auch fuer den Fall von Schutzrechtsanmeldungen. Jede Veruegungsbefugnis, wie Kopier- und Weitergaberecht, bei uns.

©