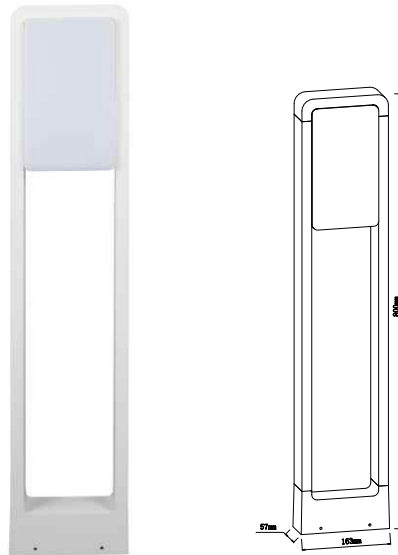


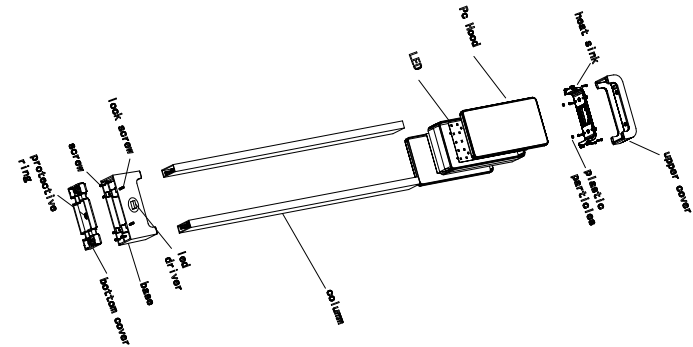
INSTALLATION INSTRUCTION
LED LIGHT



TECHNICAL DATA:

Model No.	VT-33
Power:	10W
Input Voltage:	AC:220-240V,50/60Hz
Lumens:	900
Beam Angle:	120°x2
CRI:	>80
Protection Rating:	IP65

STRUCTURE & SIZE



INSTALLATION DIAGRAM:

