

## SMD VCXO 7.0x5.0mm 6pad 3.3 VDC MHz

### FEATURES

Pb-free  
 RoHS-2 2011/65/EU  
 compliant

- High reliability for low cost
- Frequency stability to  $\pm 20$ ppm
- Available in 5.0 and 3.3 Volt
- Extended temperature range  $-40^{\circ}\text{C}$  to  $+85^{\circ}\text{C}$
- Applications: fibre channel, telecom, set-top box, broadband, etc.

### GENERAL DATA

SMD-OSCILLATOR SERIES		SMD-VCXO6-0507-3	
PACKAGE		Ceramic package 7.0 x 5.0 x 1.8 mm <sup>3</sup>	
FREQUENCY RANGE		1.0 ~ 170.0 MHz	
FREQUENCY STABILITY		$\pm 20$ ppm / $\pm 25$ ppm / $\pm 50$ ppm	
OPERATING TEMPERATURE RANGE		$-10/+70^{\circ}\text{C}$ ~ $-40/+85^{\circ}\text{C}$	
STORAGE TEMPERATURE RANGE		$-55/+125^{\circ}\text{C}$	
INPUT	VOLTAGE		+3.3 VDC $\pm 10\%$
	CURRENT		30 mA max.
OUPUT	SYMMETRY	STANDARD	40/60%
		OPTION	45/55%
	SIGNAL		CMOS
	RISE AND FALL TIME		5 ns typ. / 10 ns max.
	"0" LEVEL	CMOS	10% VDD max.
	"1" LEVEL		90% VDD min.
LOAD		15 pF ~ 30 pF	
START-UP TIME		10 mS max.	
INPUT IMPEDANCE		10 k $\Omega$ min.	
MODULATION BANDWITH (BW)		5 kHz min.	
CONTROL VOLTAGE RANGE		1.65VDC $\pm 1.35$ VDC	
CENTER VOLTAGE		1.65VDC	
PULLING RANGE		$\pm 50$ ppm ~ $\pm 100$ ppm min.	
LINEARITY		10% max.	
SLOPE		POSITIVE	
PIN CONNECTION	PIN 1	CONTROL VOLTAGE	
	PIN 2	ENABLE/DISABLE FUNCTION	
	PIN 3	GROUND	
	PIN 4	OUTPUT	
	PIN 5	NOT CONNECT	
	PIN 6	SUPPLY VOLTAGE	
	OPTION	OTHER PIN CONNECTIONS AVAILABLE ON REQUEST	
ENABLE/DISABLE FUNCTION		PIN 2 ENABLE/DISABLE	PIN 4 OUTPUT
		>0.7 VDD MIN. OR OPEN	OSCILLATION
		<0.3VDD MAX.	DISABLE
DELIVERY FORM		Tape and Reel / 1.000 pcs. per reel, lower QTY possible	
<b>OTHER PARAMETERS ARE AVAILABLE ON REQUEST / CREATE HERE YOUR SPECIFICATION</b>			

**CRYSTALS**  
**OSCILLATORS**  
**CERAMIC RESONATORS**

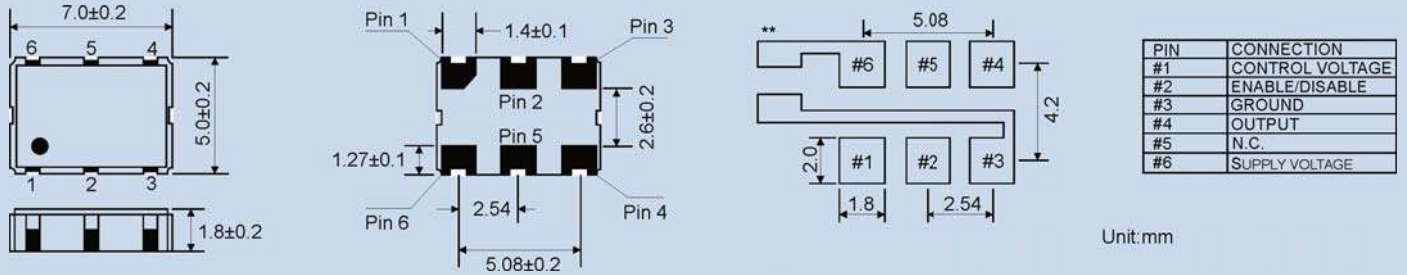


Premium Quality by  
**PETERMANN-TECHNIK**

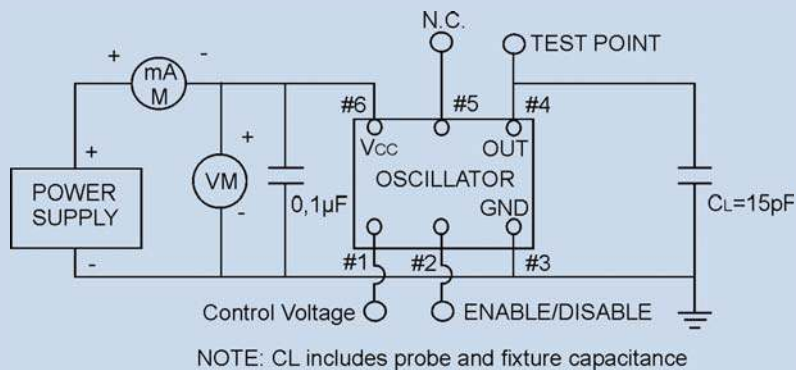
**CERAMIC FILTERS**  
**SAW COMPONENTS**

Spec.01 • REV.00 • August 2013

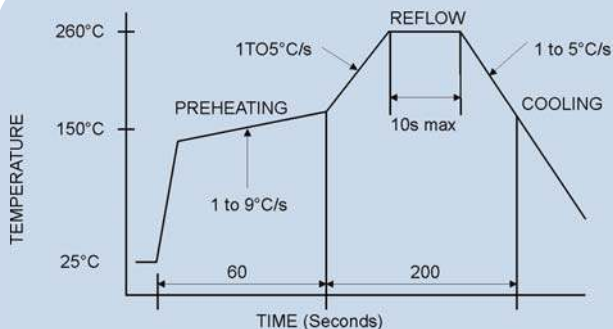
## OUTLINE DRAWING



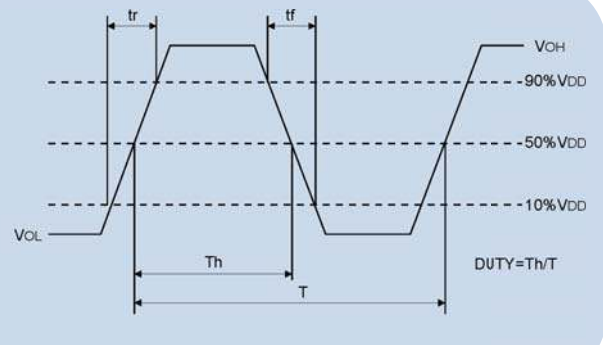
## TEST CIRCUIT FOR CMOS



## REFLOW SOLDER PROFILE



## CMOS LOAD



**CRYSTALS**  
**OSCILLATORS**  
**CERAMIC RESONATORS**

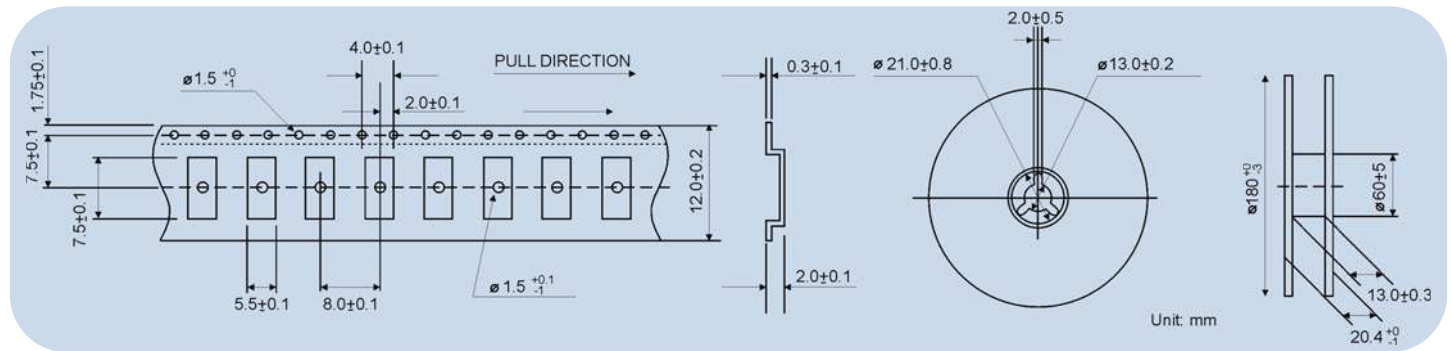


Premium Quality by  
**PETERMANN-TECHNIK**

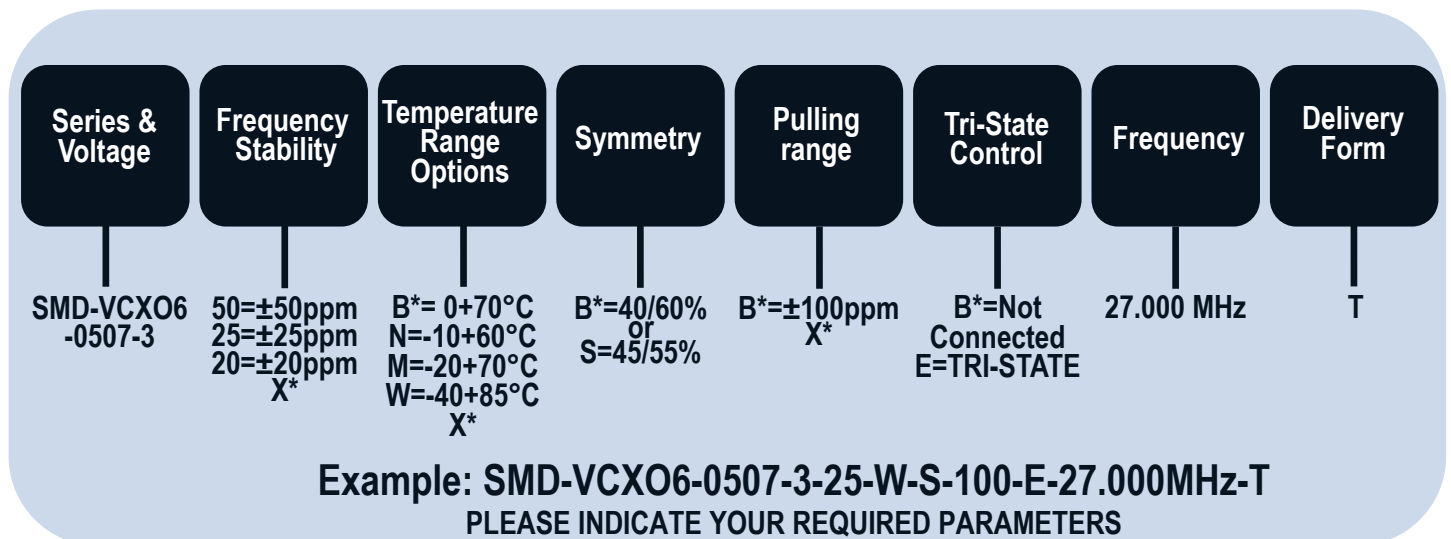
**CERAMIC FILTERS**  
**SAW COMPONENTS**

Spec.01 • REV.00 • August 2013

## REEL SPECIFICATION



## ORDERING INFORMATION



\*B=BLANK, S=SPECIAL, X\*=YOUR PARAMETERS, T=TAPE AND REEL

**CRYSTALS**  
**OSCILLATORS**  
**CERAMIC RESONATORS**

  
 Premium Quality by  
**PETERMANN-TECHNIK**

**CERAMIC FILTERS**  
**SAW COMPONENTS**  
 Spec.01 • REV.00 • August 2013