

DH-90X

- Solderless spring contact
- High performance
- General purpose

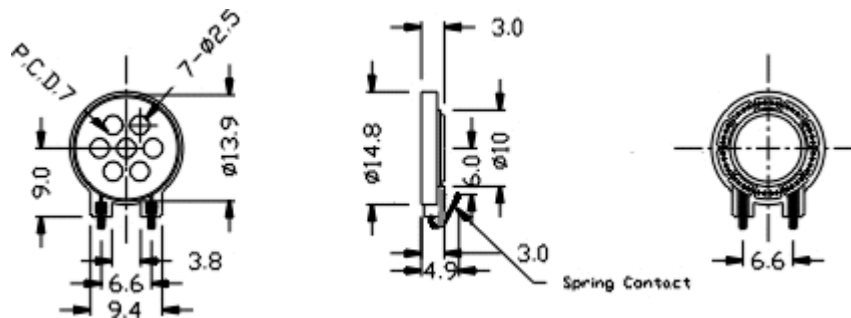


SPECIFICATIONS

Type	Dynamic
Output S.P.L.	88dB/100mV@1KHz 10cm (0dB=20μ Pa)
Impedance	10 ohms @ 1KHz
Maximum Input Power	0.5W
Weight	1.0g



DIMENSIONS IN MM



FREQUENCY RESPONSE CURVE

