

LogiLink®

Monitors Desk Mount

For 17–32" Monitors

Art. No.: BP0170
BP0171

Raise Your Monitor & Free Up Desk Space

The elegant monitor desk mount allows you to extend, tilt and swivel for the best viewing of your screen. Also include in-arm cable clip routes cables, keeping everything organized.

| Art-No. | Arm Full Extension | EAN Code |
|---------|--------------------|---------------|
| BP0170 | 20 cm | 4052792071160 |
| BP0171 | 37.6 cm | 4052792071177 |

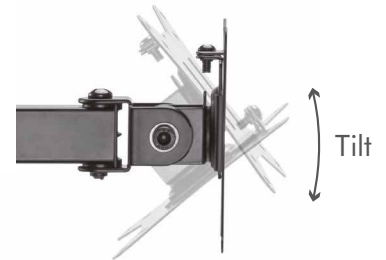


*The specifications and pictures are subject to change without prior notice.
*All trade names referenced are the registered trademarks of their respective owners.



Clutter-free & Ergonomic Design

Frees up your desktop, easily take the strain off of your neck and create better posture to increase work productivity.



Swivel



Smooth & Flexible Adjustments

Offers exceptional range of motion and height adjustments. Easily rotate, swivel & tilt for your desired viewing angle.



Rotation



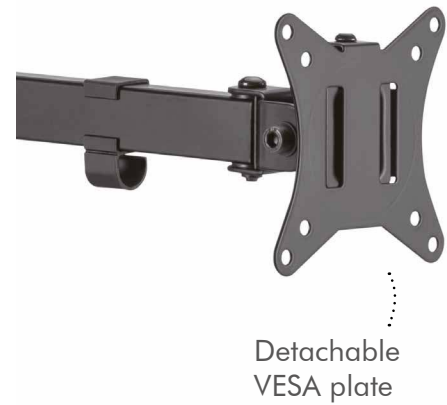
You can set your monitors at a comfortable eye level.

Sleek Modern Design

The simple, slim design of the mount makes for organized cable management, keeping your desk looking clean and tidy.

Easy Installation

Quick setup with detachable VESA plate and clamp or grommet installation to the desktop.

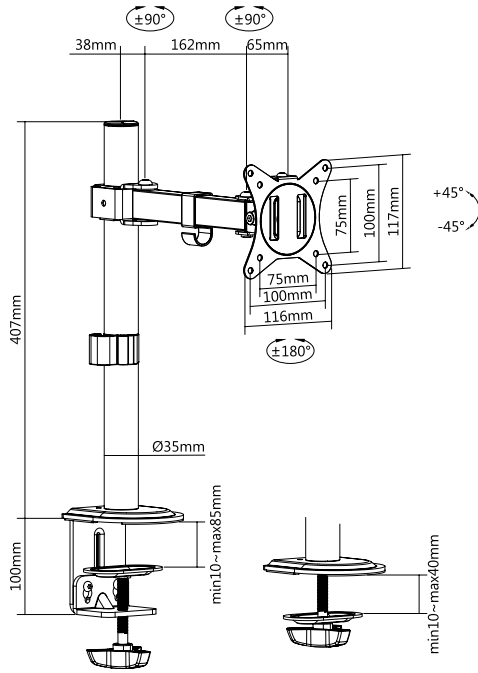


Specifications:

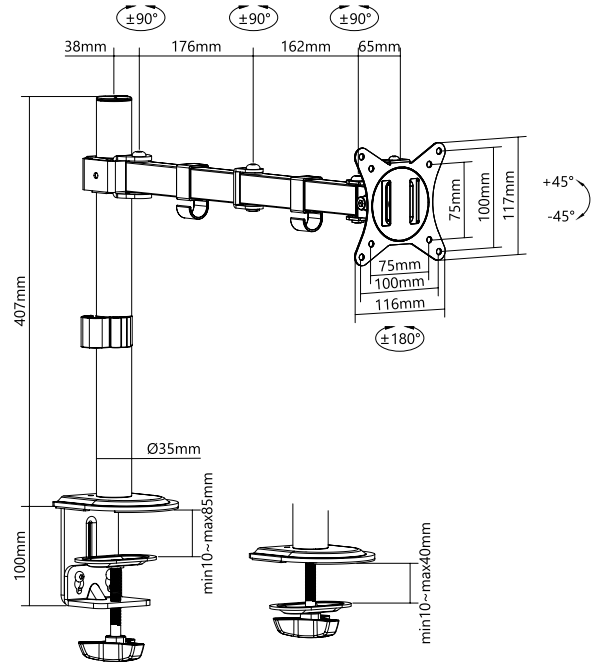


| Art. No. | BP0170 | BP0171 |
|-----------------------------|------------------------------------|-----------------------|
| Fit Screen Size | 17–32" | |
| Dimensions | 11.6 x 30.8 x 56.1 cm | 11.6 x 48.4 x 56.1 cm |
| VESA Compatible | 75 x 75, 100 x 100 | |
| Weight Capacity | 9 kg | |
| Tilt Range | -45°/+45° | |
| Swivel Range | -90°/+90° | |
| Screen Rotation | -180°/+180° | |
| Arm Full Extension | 20 cm | 37.6 cm |
| Pole Height | 40.7 cm | |
| Cable Management | Yes | |
| Suggested Desktop Thickness | Clamp: 10–85 mm; Grommet: 10–40 mm | |
| Material | Steel, plastic | |
| Color | Black | |

BP0170



BP0171



Package Contents:

- » 1 x Monitor Desk Mount
- » 1 x Screw Package
- » 1 x User Manual

Package Information:

| Art-No. | Packing Dimension | Packing Weight | Carton Dimension | Carton Q'ty | Carton Weight |
|---------|--------------------|----------------|--------------------|-------------|---------------|
| BP0170 | 425 x 130 x 100 mm | 2.63 kg | 425 x 130 x 100 mm | 1 pc | 2.63 kg |
| BP0171 | 425 x 130 x 100 mm | 2.88 kg | 425 x 130 x 100 mm | 1 pc | 2.88 kg |