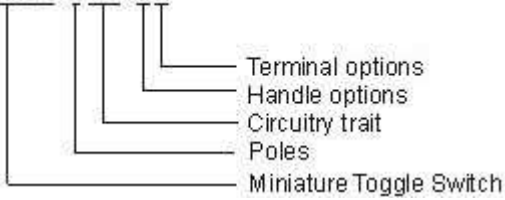




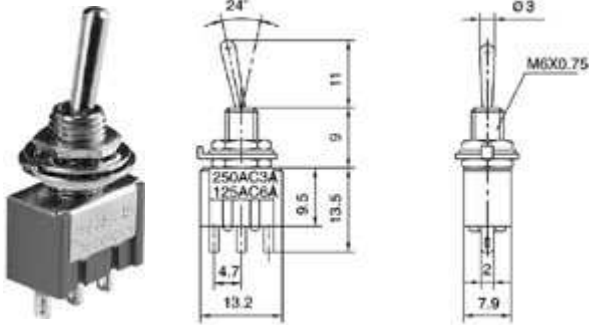
Ordering Information:

MTS- 102-A1

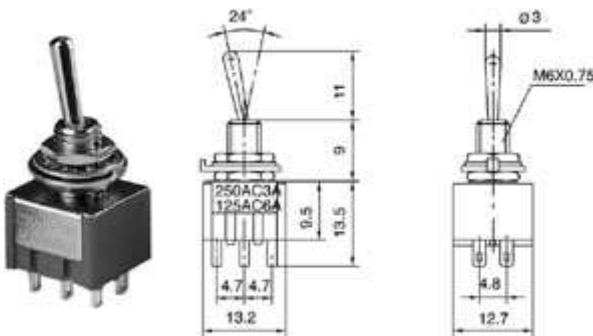


Ordering Information:

- 1.Rating: AC 125V 6A; AC 250V 3A
- 2.Contact R: 20m Ω Max
- 3.Insulation R: DC 500V 1000M Ω Min
- 4.Dielectric strength: AC 1500V,1 Minute
- 5.Operating Temperature: -55°C~+85°C
- 6.Electrical Life: 20,000 Cycles



Model No	Circuitry trait			Type	Terminals
MTS-101	ON	-	OFF	SPST	2P
MTS-102	ON	-	ON	SPDT	3P
MTS-112	ON	-	(ON)	SPDT	3P
MTS-103	ON	OFF	ON	SPDT	3P
MTS-113	ON	OFF	(ON)	SPDT	3P
MTS-123	(ON)	OFF	(ON)	SPDT	3P



Model No	Circuitry trait			Type	Terminals
MTS-201	ON	-	OFF	DPST	4P
MTS-202	ON	-	ON	DPDT	6P
MTS-212	ON	-	(ON)	DPDT	6P
MTS-203	ON	OFF	ON	DPDT	6P
MTS-213	ON	OFF	(ON)	DPDT	6P
MTS-223	(ON)	OFF	(ON)	DPDT	6P

(): Indicates Momentary

Handle options

Standard(A)	Short (C)	Grand (G)	Toggle cap (D)	Plastic Flat(E)	Metal Flat(F)

Terminal options

Solder terminal(1)	PC terminal (2)	PC-H terminal (3)	PC-V terminal (4)