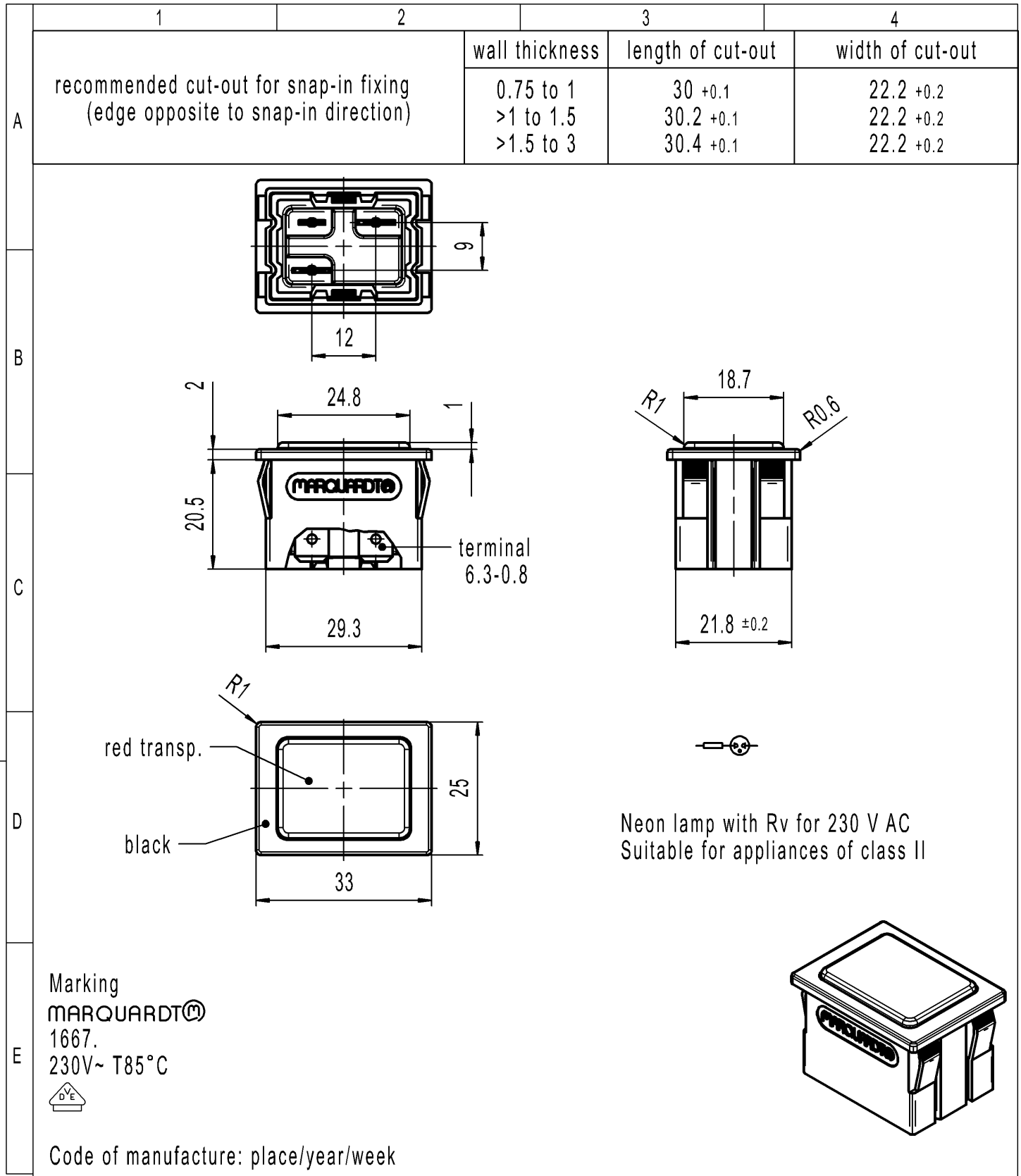


CONFIDENTIAL

VERTRAULICH

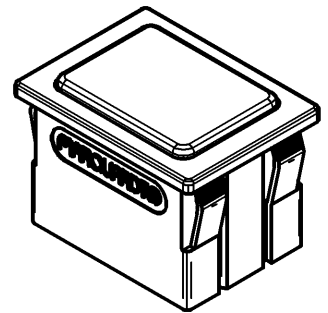
Alle Rechte bei Marquardt, auch fuer den Fall von Schutzrechtsanmeldungen. Jede Verfuugungsbefugnis, wie Kopier- und Weitergaberecht, bei uns.

THIS DRAWING IS THE EXCLUSIVE PROPERTY OF MARQUARDT. WITHOUT THEIR CONSENT IT MAY NOT BE REPRODUCED OR GIVEN TO THIRD PARTIES.



Marking  
MARQUARDT<sup>®</sup>  
1667.  
230V~ T85°C

Code of manufacture: place/year/week



-	-	-	1667.0101-XX
Figure	Type	Customer Part No.	Art.No.-PI
Shape and location	Angle ± 2°	Sheet 01	Ident. K
	Edge tolerance	Format DIN A4	Document number 16670101
⊙ ≡	Length	Projection	Index e
	Radii	Scale 1:1	Pilot Light
	0-6 ± 0.2	All dimensions are in millimetres	
	>6-15 ± 0.4	System NX V1872	MARQUARDT
	>15-30 ± 0.4		
	>30-70 ± 0.6	Zg.gl.Nr.v.06.06.2002	
e	137245	Date (YYYY-MM-DD)	Edited by
d	32547	2021-04-30	JOSHIO
c	22752	2002-06-06	SIG
Index	MEC-No.	1994-05-04	PA