

PCM 200/150 T



Sample image

Order symbol : PCM 200/150 T

Product nr : 6016929

UL Code : 6416929

UL Name : UL PCM 200/150 T

Description : Enclosure, PC, metric knock-outs

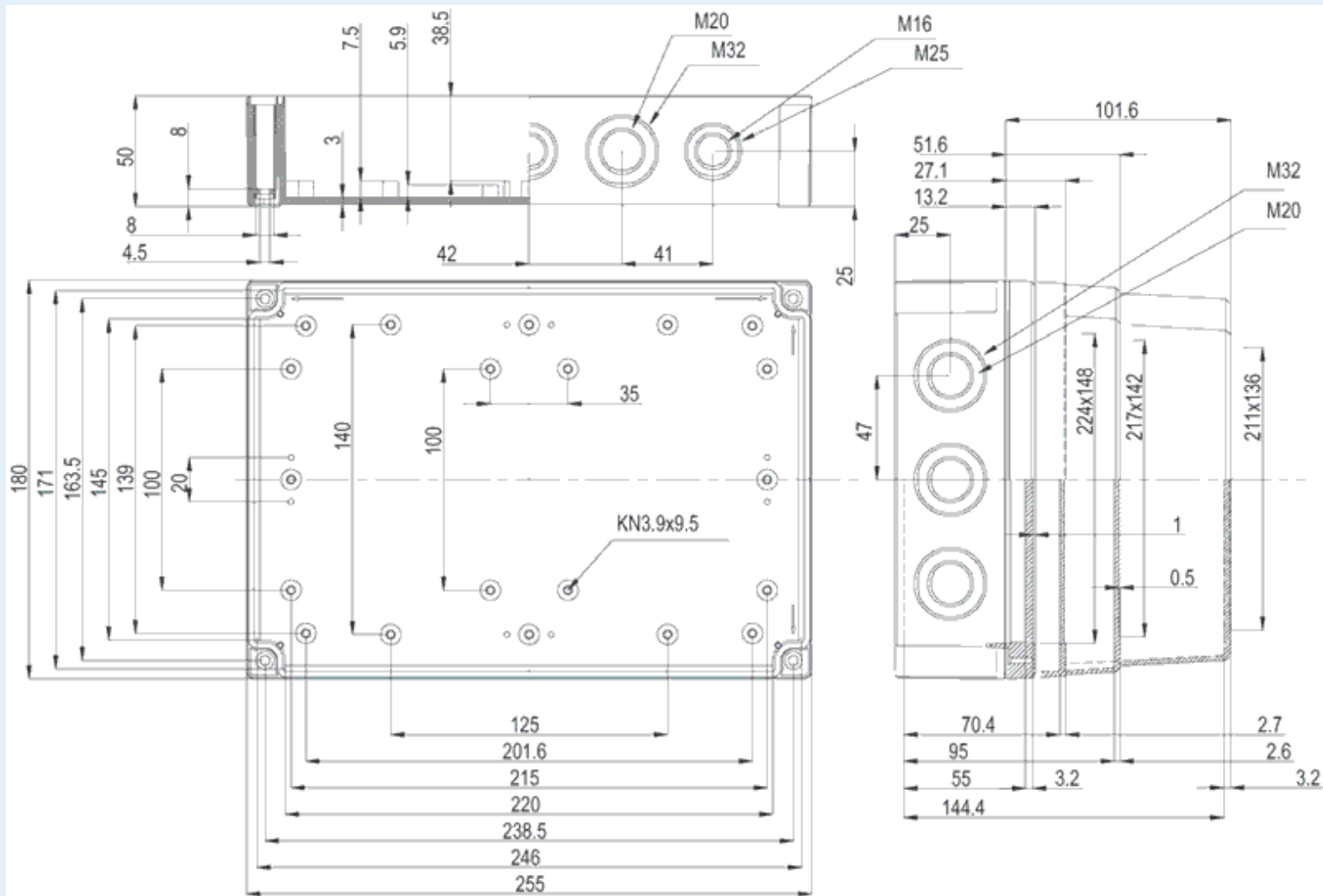
Remarks : Smoked transparent cover

Including : Base with TPE gasket. screws for mounting plate/DIN-rail and cover with polyamide cover screws.

EAN : 6418074038333

El. number :

- Finland : 3421678
- Denmark : 8212027394
- Sweden : 2535451



Dimensions :

	Height	Width	Depth
mm :	255	180	150
inch :	10.04	7.09	5.91

Materials :

Material :	Polycarbonate
Base colour :	RAL 7035 -light grey
Cover colour :	Clear transparent
Gasket material :	Polyurethane

Temperatures :

Temperature °C (short term) :	-40 ... 120
Temperature °C (continuous) :	-40 ... 80
Temperature °F (short term) :	-40 ... 250
Temperature °F (continuous) :	-40 ... 175

Accessories :

MIN 20	DIN-15 Mounting rail, for enclosures: (225 x 15 x 1)
HFP 180	Front plate hinge series
MIN 15	DIN-15 Mounting rail, for enclosures: (150 x 15 x 1)
MIV 200	Mounting plate (Galvanized steel), for enclosures: (223 x 148 x 1)
FP A 200/180	Front plate (Aluminium), for enclosures: (237 x 170 x 1)
MIV 15	DIN-35 Mounting rail, for enclosures: (150 x 35 x 1)
FP 22046	Wall fastening lug (4 pcs)
MIV 20	DIN-35 Mounting rail, for enclosures: (225 x 35 x 1)

Rating :

Ingress protection (EN 60529):	IP66; IP67;
Impact Resistance (EN 62262):	IK08;
Electrical insulation :	Totally insulated
Halogen free (DIN/VDE 0472, Part 815):	1
UV resistance :	UL 508

Flammability Rating : UL 746C 5"

Glow Wire Test (IEC 695-2-1) °C : 960 °C

NEMA Class

Certificates :

Certificate FI 40847