



Meaningful Innovation.

WEEE Number: 80133970

## INSTRUCTION MANUAL

SOLAR LED WALL LIGHT  
WITH SENSOR



### TECHNICAL DATA

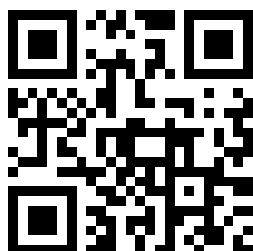
MODEL	VT-1147
SKU	10402
LUMENS	220 Lm
SOLAR PANEL	DC 5.5V, 1.8W Polycrystalline
BATTERY	2200mAh, Li-Ion, DC: 3.7V
CHARGING TIME	8-10 Hours
WORKING TIME	6-8 Hours
BULB WATTS	5.5 W
COLOR TEMPERATURE	3000K
SENSOR TYPE	PIR Sensor
SENSOR DEGREE	90-110°
DIMENSION	155x299x130mm
MATERIAL	Aluminium+PC

**IP54  
RATING**

**03  
YEAR  
WARRANTY\***

### INTRODUCTION & WARRANTY

Thank you for selecting and buying V-TAC product. V-TAC will serve you the best. Please read these instructions carefully before starting the installation and keep this manual handy for future reference. If you have any another query, please contact our dealer or local vendor from whom you have purchased the product. They are trained and ready to serve you at the best. The warranty is valid for 3 years from the date of purchase. The warranty does not apply to damage caused by incorrect installation or abnormal wear and tear. The company gives no warranty against damage to any surface due to incorrect removal and installation of the product. The products are suitable for 10-12 Hours Daily operation. Usage of product for 24 Hours a day would void the warranty. This product is warranted for manufacturing defects only.



#### MULTI-LANGUAGE MANUAL QR CODE

Please scan the QR code to  
access the manual in multiple languages.

In case of any query/issue with the product, please reach out to us at: [support@v-tac.eu](mailto:support@v-tac.eu)  
For More products range, inquiry please contact our distributor or nearest dealers.  
V-TAC EUROPE LTD. Bulgaria, Plovdiv 4000, bul.L.Karavelow 9B

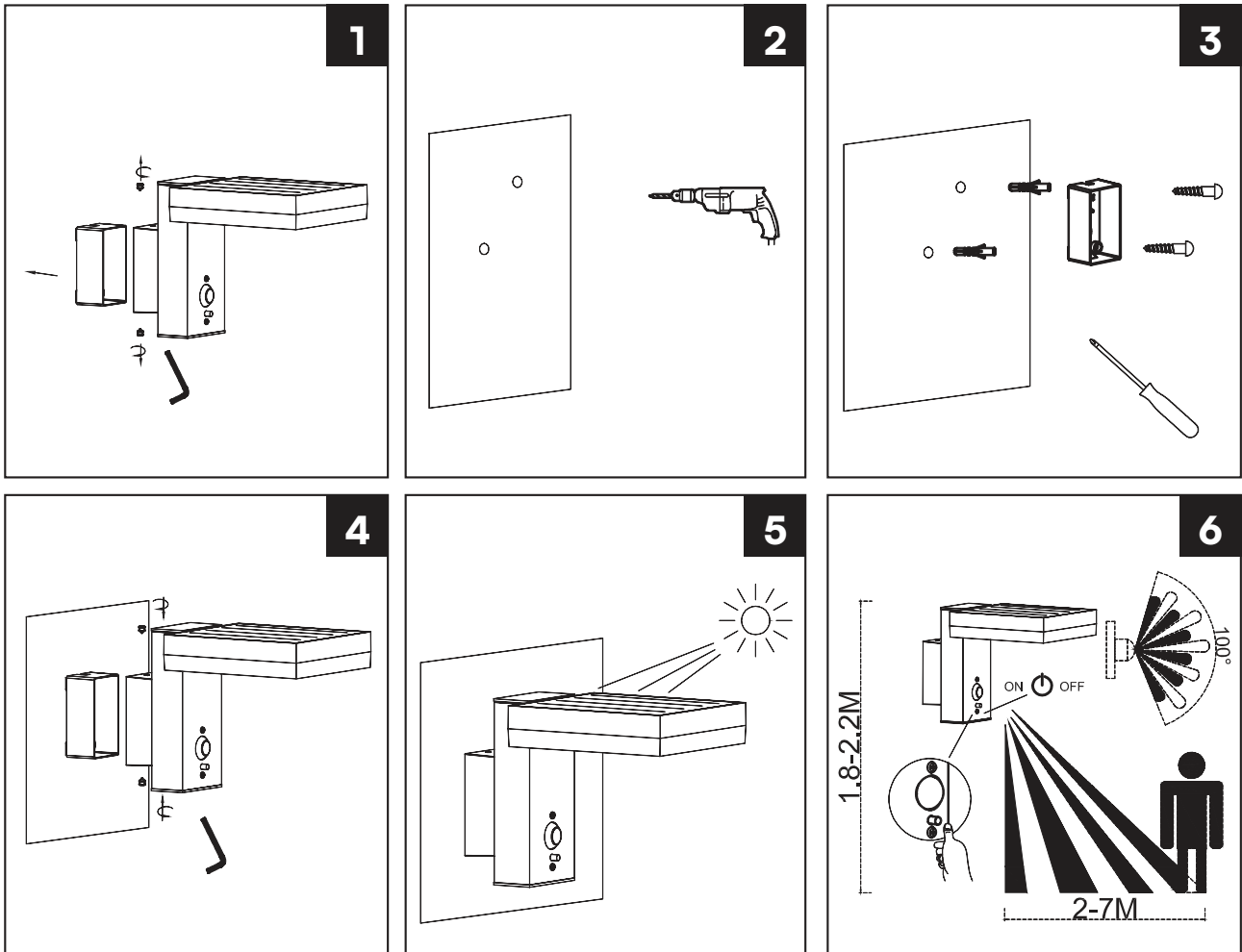
## WARNING

1. Please make sure to turn off the power before starting the installation.
2. Installation should be done by certified electrician.



This marking indicates that this product should not be disposed of with other household wastes.

## INSTALLATION DIAGRAM



High Light



**1. Mode A:**  
Long press 3s start  
(Turn on) Low light.

Low Light



**2. Mode B:**  
When sensor on high light  
25s, then low light.

High Light



**3. Mode C:**  
When sensor on high light  
25s, then standby time.

Standby Time



**4. Mode D:**  
(Turn off)

---

## **INSTALLATION INSTRUCTION**

1. Drill two holes on the wall and insert two plastic expansion bolts in it.
2. Fix the metal plate on the plastic expansion piece with self-tapping screws.
3. Fix the lamp body on the plate and tighten the screws.
4. Switch on and test.

## **FUNCTION OF SENSOR**

1. Long press 3s start (turn on) low light10%
2. Turns 100% brightness when motion is detected and 10% light when people go away
3. Turns 100% brightness when motion is detected and light turn off when no one come in.
4. Turn off.

## **MAINTENANCE & WARNING**

- Do not use solvents, petrol, etc. Otherwise the light will be damaged.
- Clean the light with a dry, lint-free cloth.
- Check the solar panel for dirt regularly. If dirt or is present remove it to guarantee flawless function of the product.
- Especially during the winter, keep the product free from snow and ice.
- Confirm installation direction is correct (solar panel should be at top)
- Confirm no objects blocking the solar panel to receive sunlight
- Keep away from the fire.
- Don't immerse in the water



Meaningful Innovation.

WEEE Number: 80133970

## INSTRUCTION MANUAL

SOLAR LED WALL LIGHT  
WITH SENSOR

### TECHNICAL DATA

MODEL	VT-1147
SKU	23016
LUMENS	220 Lm
SOLAR PANEL	DC 5.5V, 1.8W Polycrystalline
BATTERY	2200mAh, Li-Ion, DC: 3.7V
CHARGING TIME	8-10 Hours
WORKING TIME	6-8 Hours
BULB WATTS	5.5 W
COLOR TEMPERATURE	3000K
SENSOR TYPE	PIR Sensor
SENSOR DEGREE	90-110°
DIMENSION	155x299x155mm
MATERIAL	Aluminium+PC

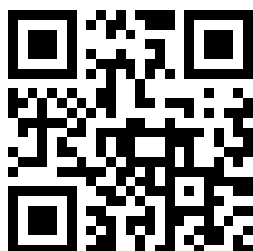


**IP54  
RATING**

**03  
YEAR  
WARRANTY\***

### INTRODUCTION & WARRANTY

Thank you for selecting and buying V-TAC product. V-TAC will serve you the best. Please read these instructions carefully before starting the installation and keep this manual handy for future reference. If you have any another query, please contact our dealer or local vendor from whom you have purchased the product. They are trained and ready to serve you at the best. The warranty is valid for 3 years from the date of purchase. The warranty does not apply to damage caused by incorrect installation or abnormal wear and tear. The company gives no warranty against damage to any surface due to incorrect removal and installation of the product. The products are suitable for 10-12 Hours Daily operation. Usage of product for 24 Hours a day would void the warranty. This product is warranted for manufacturing defects only.



#### MULTI-LANGUAGE MANUAL QR CODE

Please scan the QR code to  
access the manual in multiple languages.

In case of any query/issue with the product, please reach out to us at: [support@v-tac.eu](mailto:support@v-tac.eu)  
For More products range, inquiry please contact our distributor or nearest dealers.  
V-TAC EUROPE LTD. Bulgaria, Plovdiv 4000, bul.L.Karavelow 9B

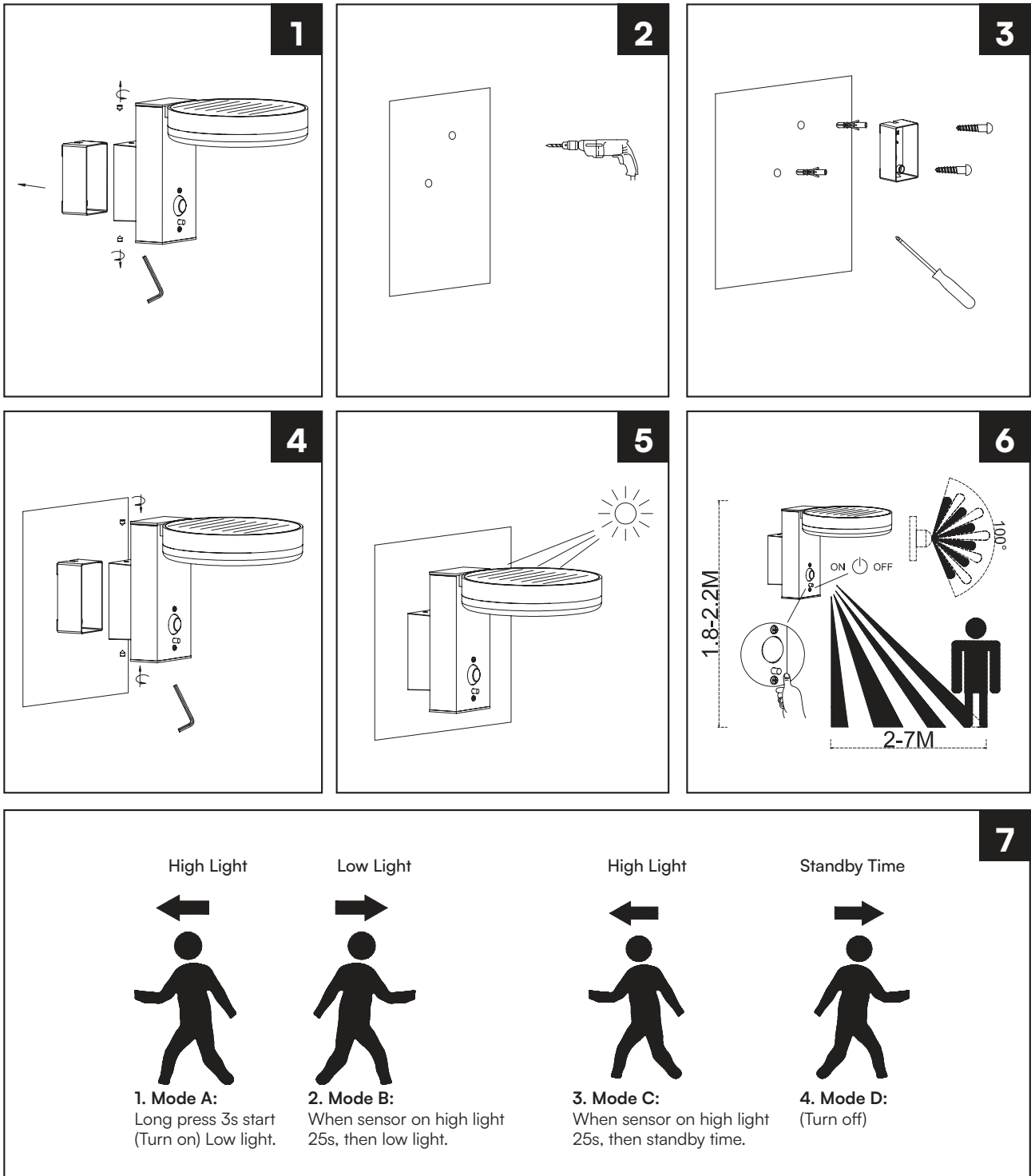
## WARNING

1. Please make sure to turn off the power before starting the installation.
2. Installation should be done by certified electrician.



This marking indicates that this product should not be disposed of with other household wastes.

## INSTALLATION DIAGRAM



---

## **INSTALLATION INSTRUCTION**

1. Drill two holes on the wall and insert two plastic expansion bolts in it.
2. Fix the metal plate on the plastic expansion piece with self-tapping screws.
3. Fix the lamp body on the plate and tighten the screws.
4. Switch on and test.

## **FUNCTION OF SENSOR**

1. Long press 3s start (turn on) low light10%
2. Turns 100% brightness when motion is detected and 10% light when people go away
3. Turns 100% brightness when motion is detected and light turn off when no one come in.
4. Turn off.

## **MAINTENANCE & WARNING**

- Do not use solvents, petrol, etc. Otherwise the light will be damaged.
- Clean the light with a dry, lint-free cloth.
- Check the solar panel for dirt regularly. If dirt or is present remove it to guarantee flawless function of the product.
- Especially during the winter, keep the product free from snow and ice.
- Confirm installation direction is correct (solar panel should be at top)
- Confirm no objects blocking the solar panel to receive sunlight
- Keep away from the fire.
- Don't immerse in the water