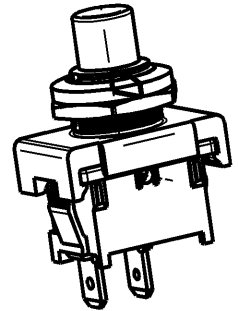
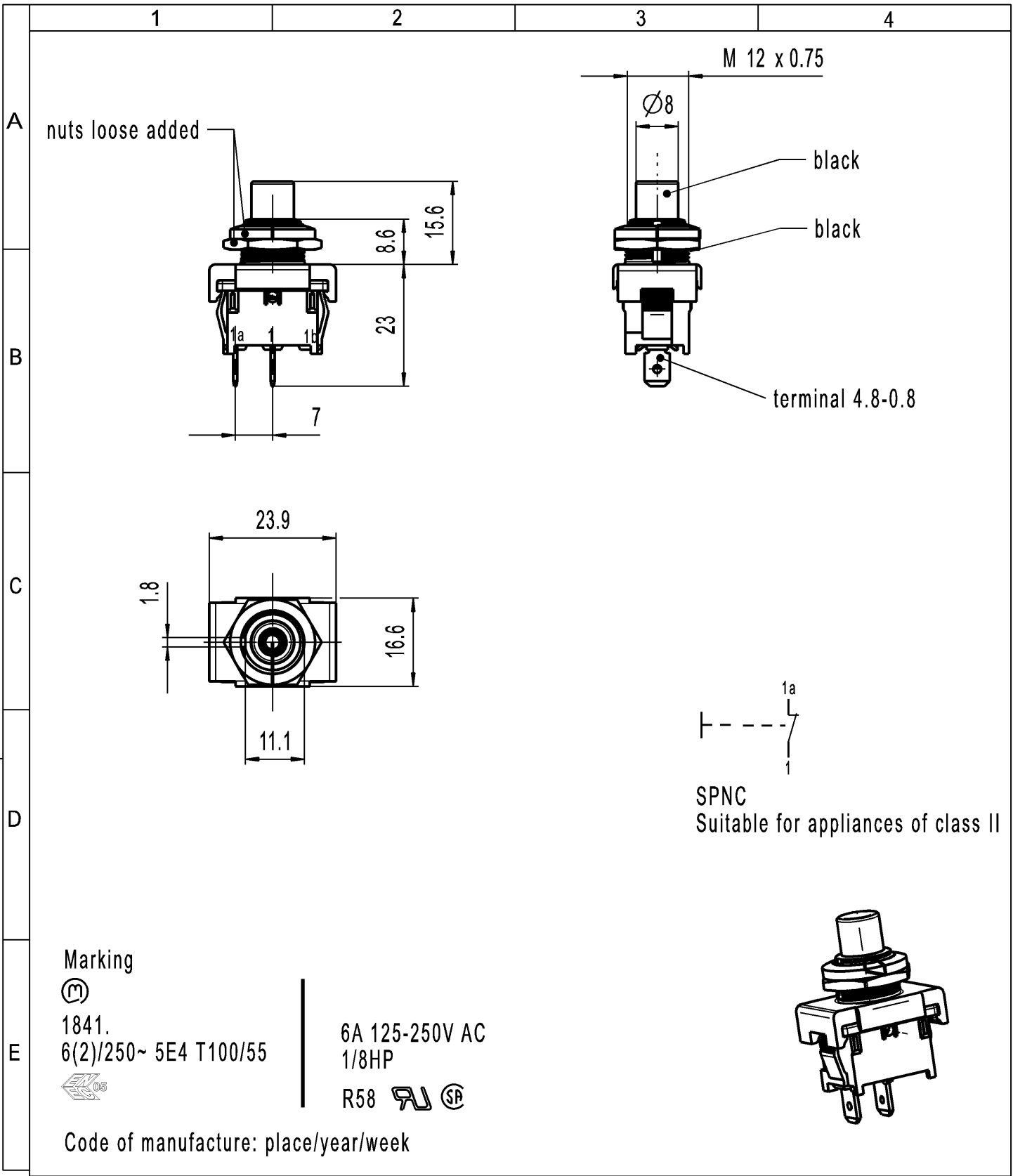


CONFIDENTIAL

VERTRAULICH

Alle Rechte bei Marquardt, auch fuer den Fall von Schutzrechtsanmeldungen. Jede Veruegungsbefugnis, wie Kopier- und Weitergaberecht, bei uns.

THIS DRAWING IS THE EXCLUSIVE PROPERTY OF MARQUARDT. WITHOUT THEIR CONSENT IT MAY NOT BE REPRODUCED OR GIVEN TO THIRD PARTIES.



-	-	-	1841.1301-XX							
Figure	Type	Customer No.	Art.No.-PI							
General tolerances										
All dimensions are in millimetres	Shape and location ⊙ ≡	Angle ± 2 °	Edge tolerance 	Length	Radii	Sheet 01	Ident. K	Document number 18411301	Index e	
				0-6	± 0.2					±
				>6-15	± 0.4					±
				>15-30	± 0.4					±
				>30-70	±					±
				>70-120	±					±
>120	±	±								
e	131663	2020-08-26	THAKARES	Format DIN A4	Projection 	Scale 1:1	Appliance Switch			
d	64533	2010-04-13	MUT	System NX V11.0						
c	56042	2008-01-21	VOR	Replacement of Zg.gl.Nr.v.30.10.2000						
b	29876	2000-06-19	BMI							
Index	MEC-No.	Date (YYYY-MM-DD)	Edited by	MARQUARDT						