

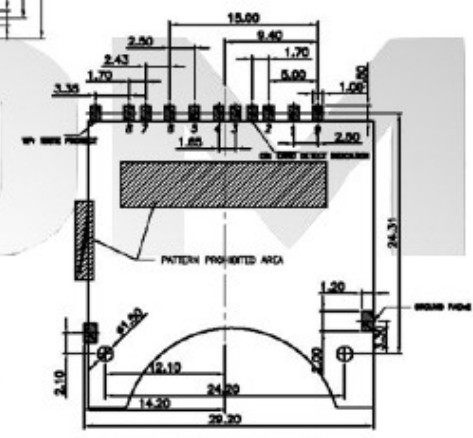
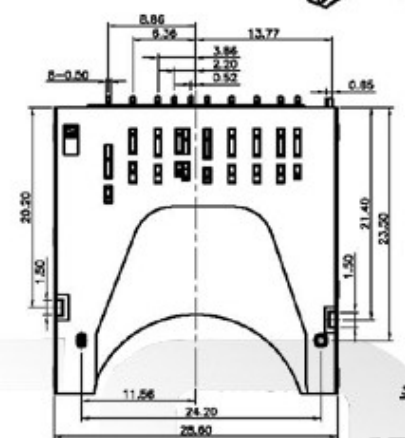
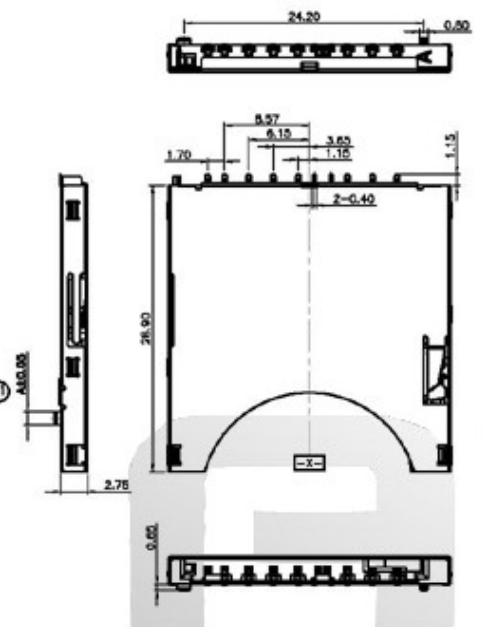
ACAD GENERATED DRAWING. DON'T CHANGE BY HAND

REV	DATE	MODIFICATION	APPROVER
A	09.12.8	NEW	MIKE
A1	10.4.02	增加口1.45定位柱底座	MIKE



**SPECIFICATION**

1. Material:  
 Insulator: LCP, rated UL94V-0, color: black.  
 orbit: LCP, rated UL94V-0, color: black.  
 Contacts: Phosphor Bronze,  
 Tin 180u" at Solder Tail,  
 Selective Gold on Contact Area Plating.  
 Ground: Phosphor Bronze, Tin 180u".  
 Shell: Stainless, Pickling.  
 Spring: SWP-B, Plated Nickel.  
 Hook: Stainless steel.
2. Electrical Characteristics:  
 Operating voltage : 100V(AC/DC).  
 Current rating : 0.5 A.  
 Operating Temperature: -25°C~+90°C.  
 Insulation resistance: 1000M ohms min. at 250VDC  
 Dielectric withstanding voltage: 500 VAC/1minute.  
 Contact resistance: 100m ohms max.  
 Mating cycle: 10000 cycles, spring is not breaking.



RECOMMENDED PCB LAYOUT  
(ALL TOLERANCE ARE ±0.05)

TITLE	PART NO.	DM A
SD PUSH FLUSH 5TYP	SD**AP**03**	01.00
SD PUSH FLUSH 12TYP	SD**AP**03**	01.00

PART. NO. :  
SD\*\*AP\*03\*\*

- 01: 定位柱 $\phi$ 1.35mm  
 02: 定位柱 $\phi$ 1.45mm  
 17: 弹簧五金合金18°, 每对接触长度至少1400"  
 23: 弹簧五金合金20°, 每对接触长度至少1400"  
 25: 弹簧五金合金22°, 每对接触长度至少1400"  
 26: 弹簧五金合金18°, 每对接触长度至少1400"  
 28: 弹簧五金合金20°, 每对接触长度至少1400"  
 31: 胶壳为黑色



Pin No.	SD	MMC
P1	MMC-DAT3 SD-CD/DAT3	1P 1P
P2	MMC-CMD SD-CMD	2P 2P
P3	MMC-VSS1 SD-VSS1	3P 3P
P4	MMC-VDD SD-VDD	4P 4P
P5	MMC-CLK SD-CLK	5P 5P
P6	MMC-VSS2 SD-VSS2	6P 6P
P7	MMC-DAT0 SD-DAT0	7P 7P
P8	SD-DAT1	8P
P9	SD-DAT2	9P

GENERAL TOLERANCE	UNITS	NAME
SELECT	MAT'L	SD PUSH FLUSH conn.
CH	FINISH	PART NO. SD**AP*03**
K.XXX	Q'TY	APPD:
K		CHKD: Vicky
SCALE		DR: Nancy

**ATOM** 深圳市爱特姆科技有限公司  
 SHENZHEN ATOM TECHNOLOGY CO., LTD.

TITLE: SD PUSH FLUSH conn.

DWG NO.: ATOMPDWG0015

SCALE	SHEET	REV.
1/1	1/1	A1