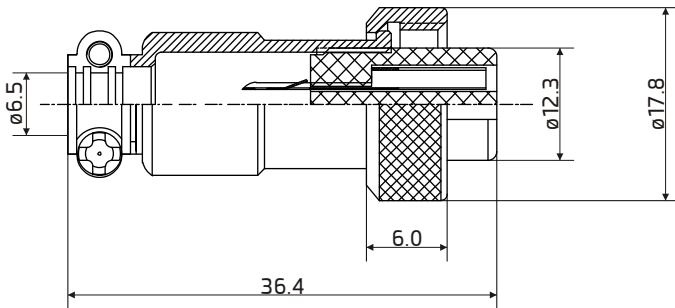


**Straight Female Plug and
Panel Mount Male Socket**



Specification

Number of Contacts: 3
Mating thread type: M16

Material

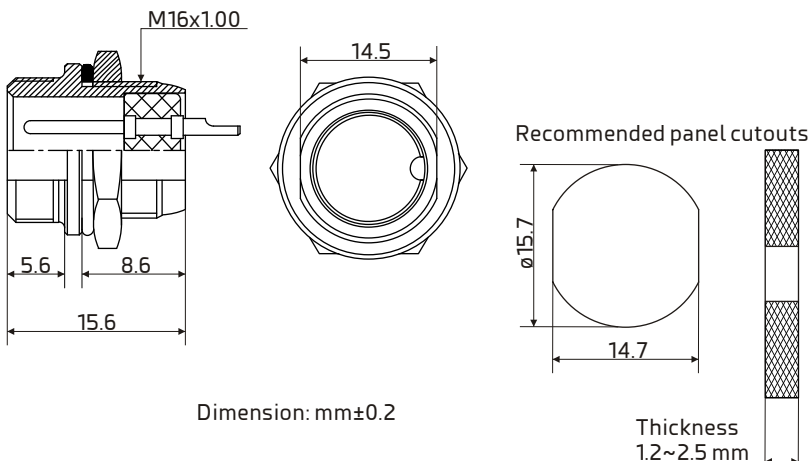
Shell: Nickel plated Zinc Alloy
Insulation: Black Bakelite
Contact: Silver plated Copper

Electrical

Operating voltage: 250V
Rated current: 7 A
Insulation resistance: 100 M Ω min.
Contact resistance: 10 m Ω max.

Environment

Operation temperature: -20 to 85°C
Protect class: IP55
Termination: Solder
Suit Cable size: O.D. $\varnothing 6.5$ mm max.
Wire guide: AWG 16 - 14
Conductor cross-section: 1.3 - 2.1mm²



Dimension: mm ± 0.2

Thickness
1.2~2.5 mm