



LogiLink®

Universal Smartphone Holder for Bicycle

Art. No.: AA0162

Keep Your Phone Accessible While Riding

This smartphone holder is designed to secure your device safely and enhance your riding experience. Universal design, compatible with Ø2–3.5 cm handlebars. Effortlessly mount or unmount your phone, enjoy the convenience on the go.



4–6.8"
Smartphones



Shockproof



360°
Rotation

Sturdy & Secure

The strong 4 corner claws grip each corner of your phone tightly; preventing it from falling out even on the bumpiest of roads.



One Hand Operation, Easy to Use

The 4 corner claws automatically grip your phone when you press it on the center trigger. Easily squeeze the release bar to release while you unmount your phone.



Place smartphone on the holder and push down to lock.

Squeeze the sides to disengage the claws.

**360°
Rotation**



Free Rotation

Freely adjust the phone mount for the perfect viewing angle (horizontally, vertically, or any angle you desire) and ideal companion for your cycling journey.

Tool-free Installation

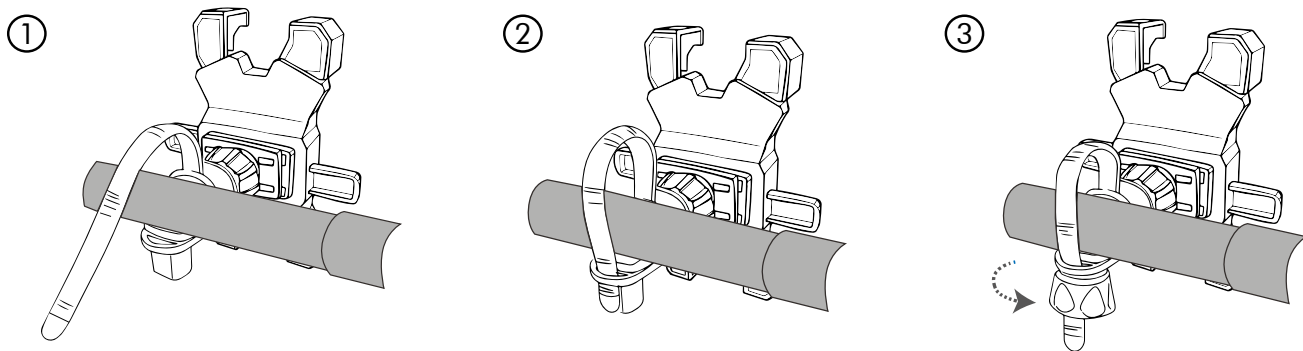
Easily mount it on a handlebar (Ø2–3.5 cm) with adjustment strap and nut; Securely fits most handlebars.





Wide Range of Usage

Fits on any bicycle, motorcycle, stroller, treadmill, shopping cart, scooter, wheelchair and other round handlebars. Allows your smartphone to always be firmly held in place along your journey.

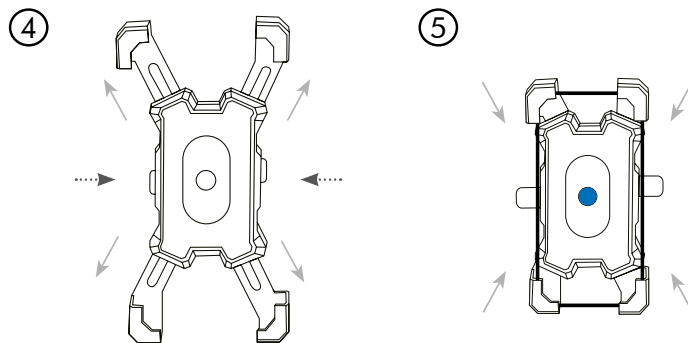


Package Contents:

- » 1x Smartphone Bicycle Holder
- » 1x Connector
- » 1x User Manual

Package Information:

- » Packing Dimension: 135 x 66 x 137 mm
- » Packing Weight: 0.13 kg
- » Carton Dimension: 555 x 345 x 290 mm
- » Carton Q'ty: 40 pcs
- » Carton Weight: 6 kg



*The specifications and pictures are subject to change without prior notice.
*All trade names referenced are the registered trademarks of their respective owners.



AA0162



Made in China