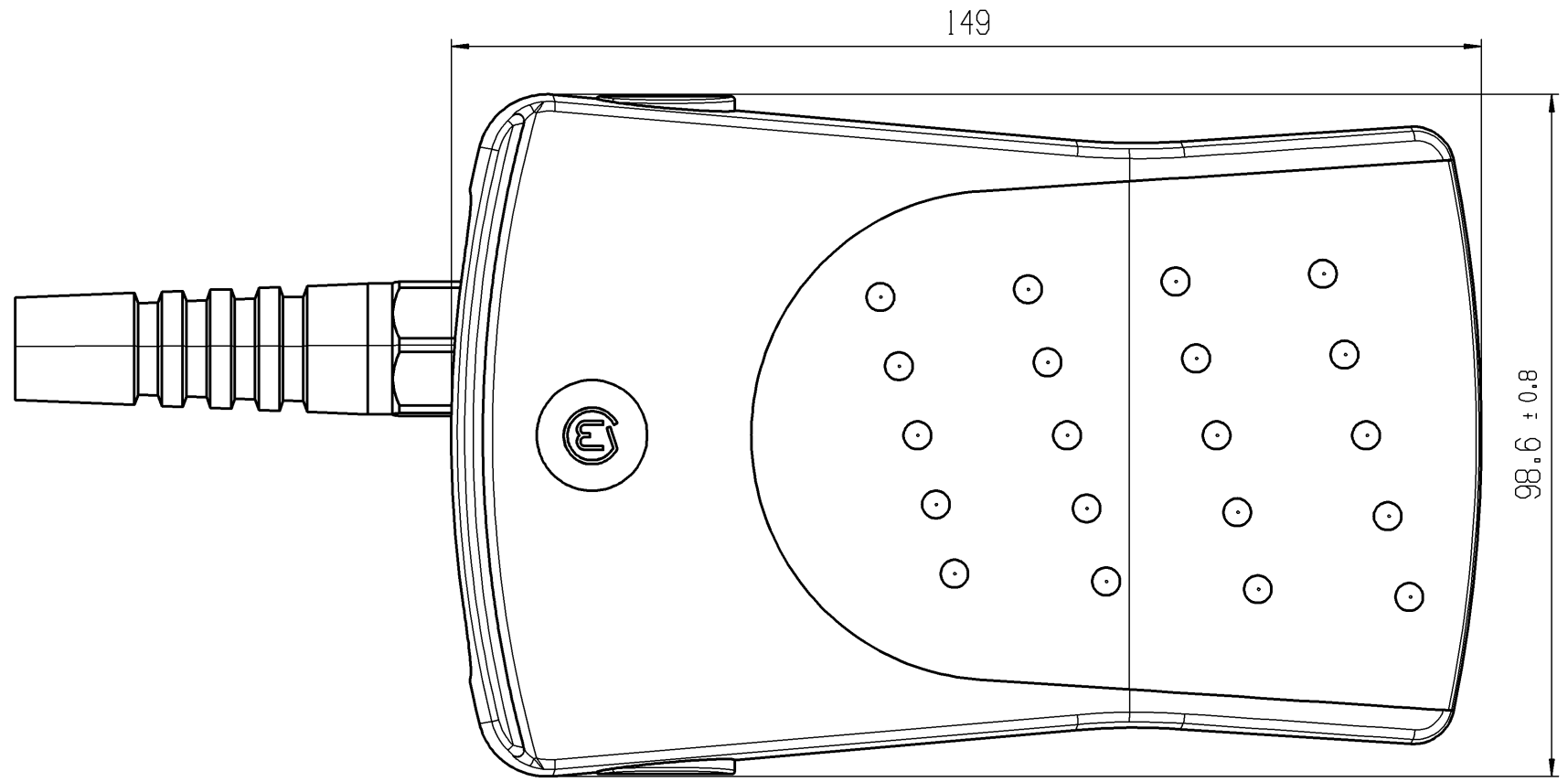
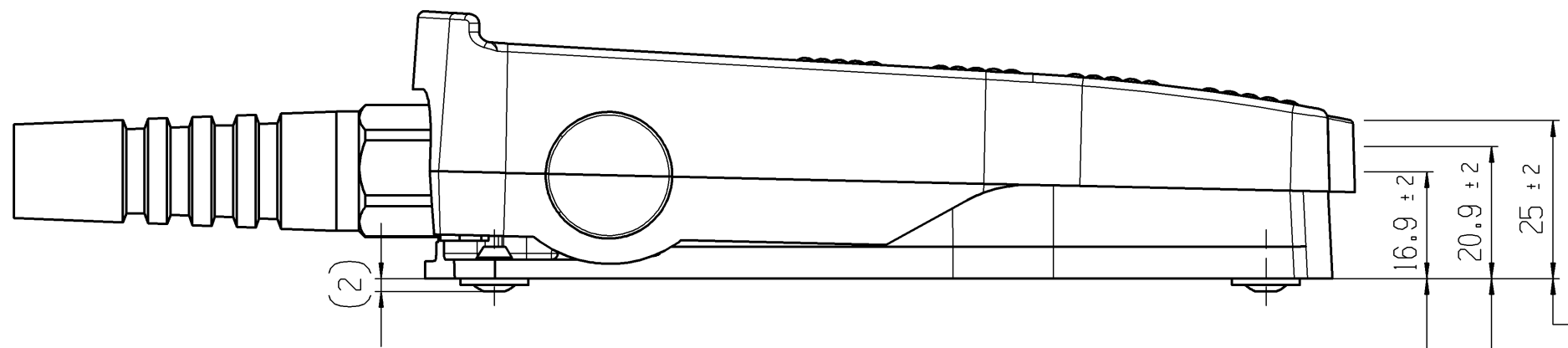


THIS DRAWING IS THE EXCLUSIVE PROPERTY OF MARQUARDT. WITHOUT THEIR CONSENT IT MAY NOT BE REPRODUCED OR GIVEN TO THIRD PARTIES.

CONFIDENTIAL

VERTRAULICH

Alle Rechte bei Marquardt, auch fuer den Fall von Schutzrechtsanmeldungen. Jede Veruegungsbefugnis, wie Kopier- und Weitergaberecht, bei uns.



Aufschrift:
Marking:

Ⓜ 2420.0102

14(4) / 250 ~ μ 50E3



Herstelldatum:
Herstellort/ -jahr/ -woche/ -tag
nach Marquardt Standard

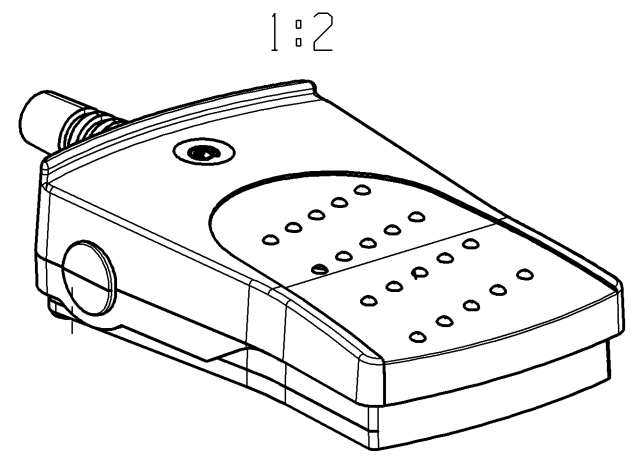
Date code of manufacture:
plant / year / week / day
acc. to Marquardt standard

Kraft in Ruhestellung
force in free position 24 N ± 10 N

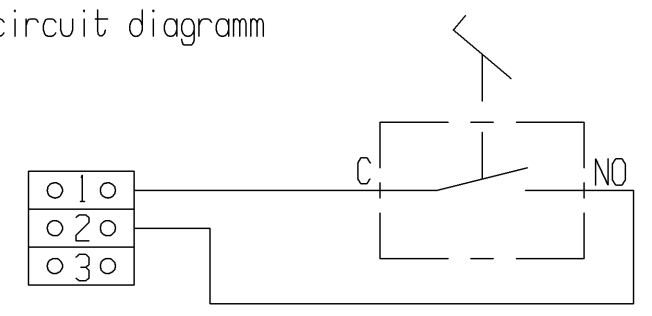
Kraft an Schaltpunkt
force at operating position 30 N ± 10 N

Kraft in Endstellung
force at total travel position 35 N ± 10 N

Beigelegte Bedienungsanleitung beachten
Please observe user manual for further information



Schaltbild
circuit diagramm



-		-		-		2420.0102-XX		
Figure	Type					Customer No.	Art.No.-PI	
General tolerances						Sheet	01	
All dimensions are in millimetres	Shape and location	Angle	Edge tolerance	Length	Radii	Format DIN	Projection	
				0-6	± 0.15			± 0.2
				>6-15	± 0.2			± 0.3
				>15-30	± 0.25			± 0.5
				>30-70	± 0.4			
>70-120	± 0.6	± 10%						
>120	± 0.8							
d	123519	2019-06-12	TRIGUIK		System	NX V11.0		
c	74959	2011-08-25	FRT		Replacement of V09111320	MARQUARDT		
b	73342	2011-04-19	HHE					
a	71861	2011-02-01	FRT					
Index	MEC-No.	Date (YYYY-MM-DD)	Edited by					
Ident.		Document number		Index				
K		24200102		d				
Foot switch								