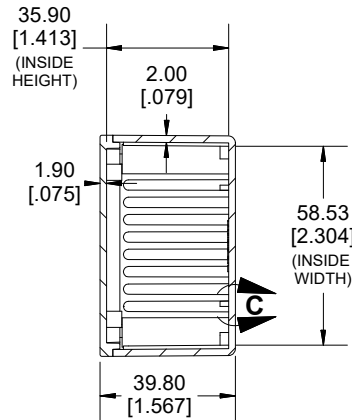
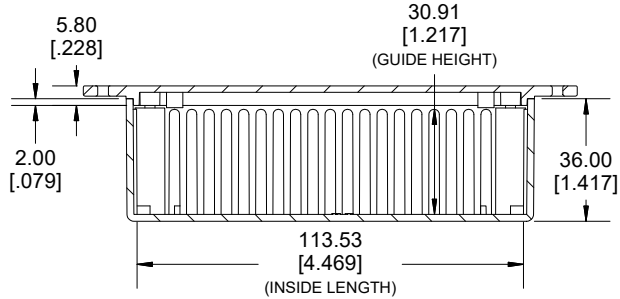
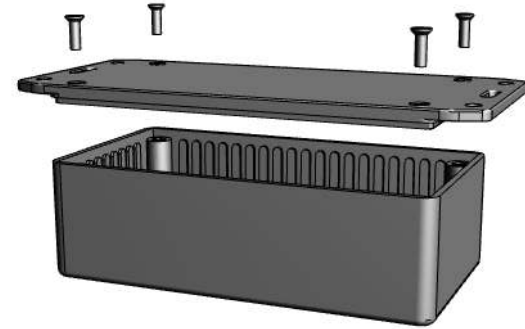


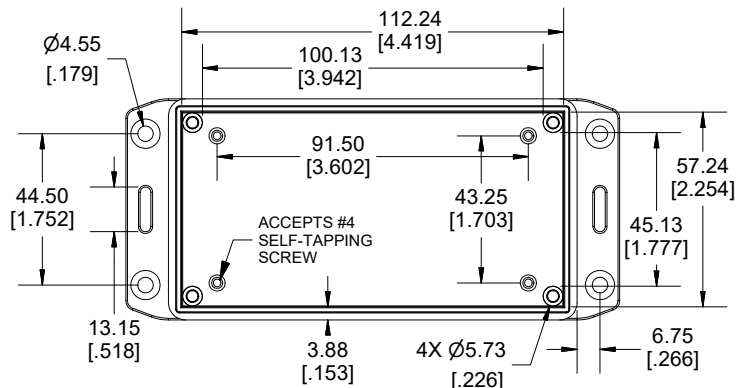
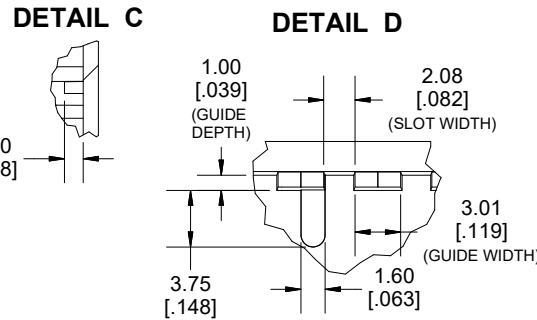
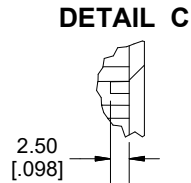
TOP VIEW



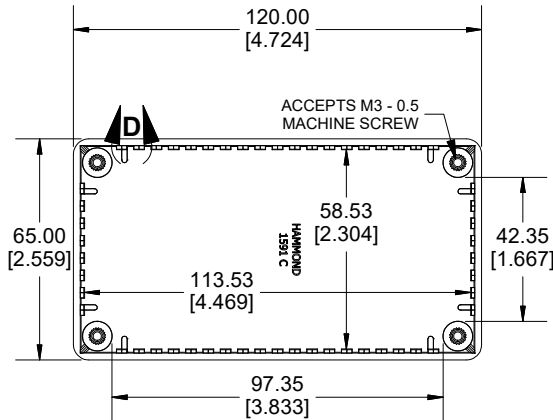
SECTION A-A



SECTION B-B  
SIDE VIEW



INSIDE LID

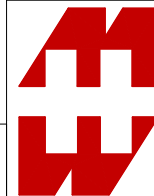


INSIDE BOX

Dimensions:  
mm  
[inches]

Enclosures can be Factory Modified (Milling, Drilling, Printing etc.)  
Contact Factory (modshop@hammfg.com) for quotes  
Solid models of this enclosure available in .stp or .x\_t  
(Part number and text placement/orientation on our products are subject to change,  
we do not recommend using them as a locating reference for modification purposes)

NOTE	
Purchased assembly includes box, lid, 4 cover screws, and pre-installed brass inserts.	
Enclosure made from FRABS	
Recommended Torque: 42-57 ozf.in (30-40 cN.m)	
PART NUMBERS	
1591C Enclosure	
Flame Retardant ABS Black	1591CFLBK
Flame Retardant ABS Grey	1591CFLGY
Accessories	
Plated Cover screw	1591MS100 (Silver)
M3 - 0.5 X 10mm (100Pkg)	1591MS100BK (Black)
P.C Board screws for Lid	1593ATS50 (50Pkg)
#4 X 1/4" (6.4mm) Self-Tapping	1593ATS100 (100Pkg)
PC Board Card Adapters	1591Z6 (6Pkg)
	1591Z50 (50 Pkg)
	1591Z100 (100Pkg)
Nylon Belt / Pocket clip	1599CLIP (Black)
	1599CLIPGY (Grey)



HAMMOND  
MANUFACTURING.  
1591CFL

www.hammondmfg.com

REV: 07.01.2020