



Meaningful Innovation.

WEEE Number: 80133970

# INSTALLATION INSTRUCTION LED WALL LIGHT

## TECHNICAL DATA

Model	VT-11112	VT-11117
Watts	12W	17W
Lumens	1400LM	14000LM
Beam Angle	120°	120°
CRI	>80	>80
Body Type	ALUMINUM	ALUMINUM
On/Off Cycle	>15,000 Times	>15,000 Times
Dimension	650x72xØ16mm	650x72xØ16mm
Input Power	AC:220-240V, 50/60Hz	



**2** YEARS  
WARRANTY\*

**IP54**  
RATING

## INTRODUCTION & WARRANTY

Thank you for selecting and buying V-TAC product. V-TAC will serve you the best. Please read these instructions carefully before starting the installation and keep this manual handy for future reference. If you have any another query, please contact our dealer or local vendor from whom you have purchased the product. They are trained and ready to serve you at the best. The warranty is valid for 2 years from the date of purchase. The warranty does not apply to damage caused by incorrect installation or abnormal wear and tear. The company gives no warranty against damage to any surface due to incorrect removal and installation of the product. The products are suitable for 10-12 Hours Daily operation. Usage of product for 24 Hours a day would void the warranty. This product is warranted for manufacturing defects only.

## WARNING!

1. Please make sure to turn off the power before starting the installation.
2. Installation should only be done by a certified electrician.
3. The light source of this luminaire is not replaceable, when the light source reaches its end of life the whole luminaire should be replaced.

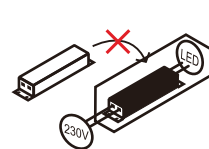


**MULTI-LANGUAGE  
MANUAL QR CODE**

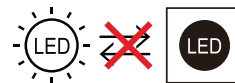
Please scan the QR code to access the manual in multiple languages.



This marking indicates that this product should not be disposed of with other household wastes.



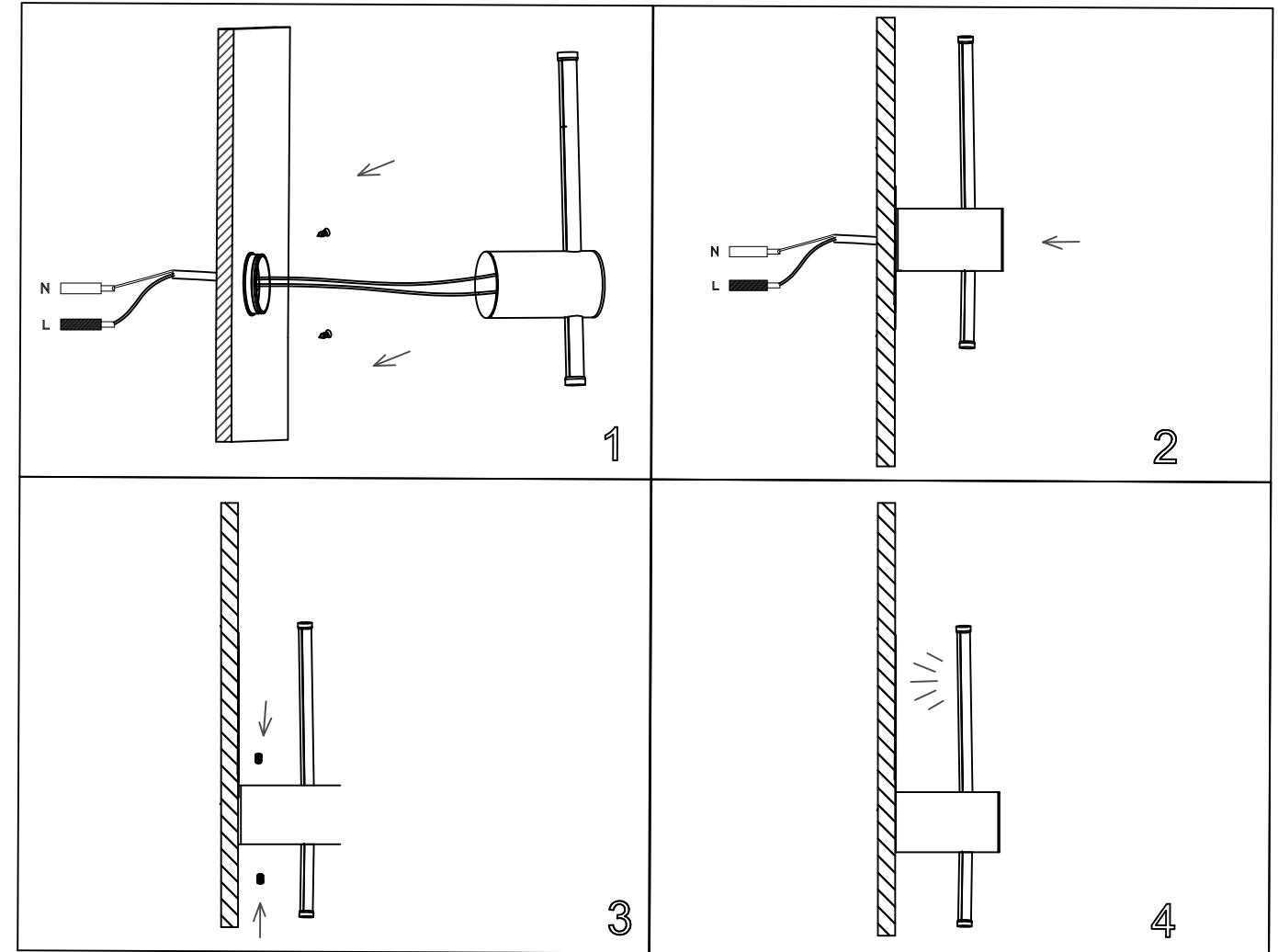
Non-replaceable control gear



Non-replaceable light source



## INSTALLATION DIAGRAM:



## WIRING DIAGRAM:



N - Black / Blue Wire  
L - Brown / Red Wire

## INSTALLATION INSTRUCTION

1. Switch off the power before starting the installation
2. Connect the wires into the mains.
3. Place the bracket into the wall and fix by screw
4. Fix the fixture into the bracket and tighten the screw. Make sure it fix properly.
5. Switch on the power and test the light.

IN CASE OF ANY QUERY/ISSUE WITH THE PRODUCT, PLEASE REACH OUT TO US AT: [SUPPORT@V-TAC.EU](mailto:SUPPORT@V-TAC.EU)  
FOR MORE PRODUCTS RANGE, INQUIRY PLEASE CONTACT OUR DISTRIBUTOR OR NEAREST DEALERS.  
V-TAC EUROPE LTD. BULGARIA, PLOVDIV 4000, BUL.L.KARAVELOW 9B