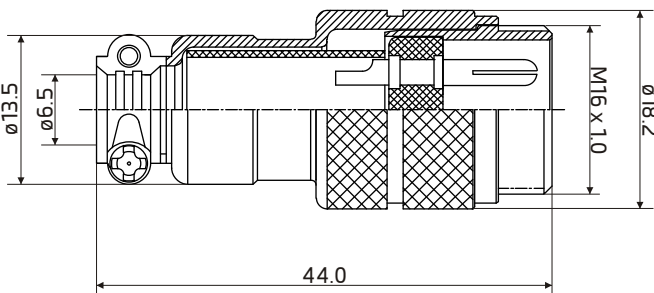
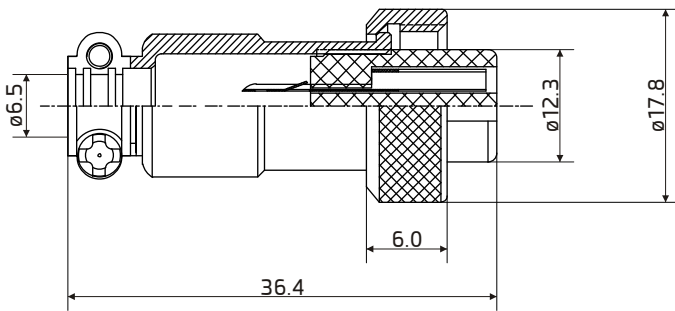


Datenblatt

M16 Circular Connector, 5 contacts, Wire to Wire

Straight Pin Plug to Pin Socket



Dimension: mm±0.2

Specification

Number of Contacts: 5
Mating thread type: M16

Material

Shell: Nickel plated Zinc Alloy
Insulation: Black Bakelite
Contact: Silver plated Copper

Electrical

Operating voltage: 60V
Rated current: 5 A
Insulation resistance: 100 MΩ min.
Contact resistance: 10 mΩ max.

Environment

Operation temperature: -20 to 85°C
Protect class: IP55
Termination: Solder
Suit Cable size: O.D. ø6.5mm max.
Wire guide: AWG 18 - 10
Conductor cross-section: 1.0 - 1.3mm²