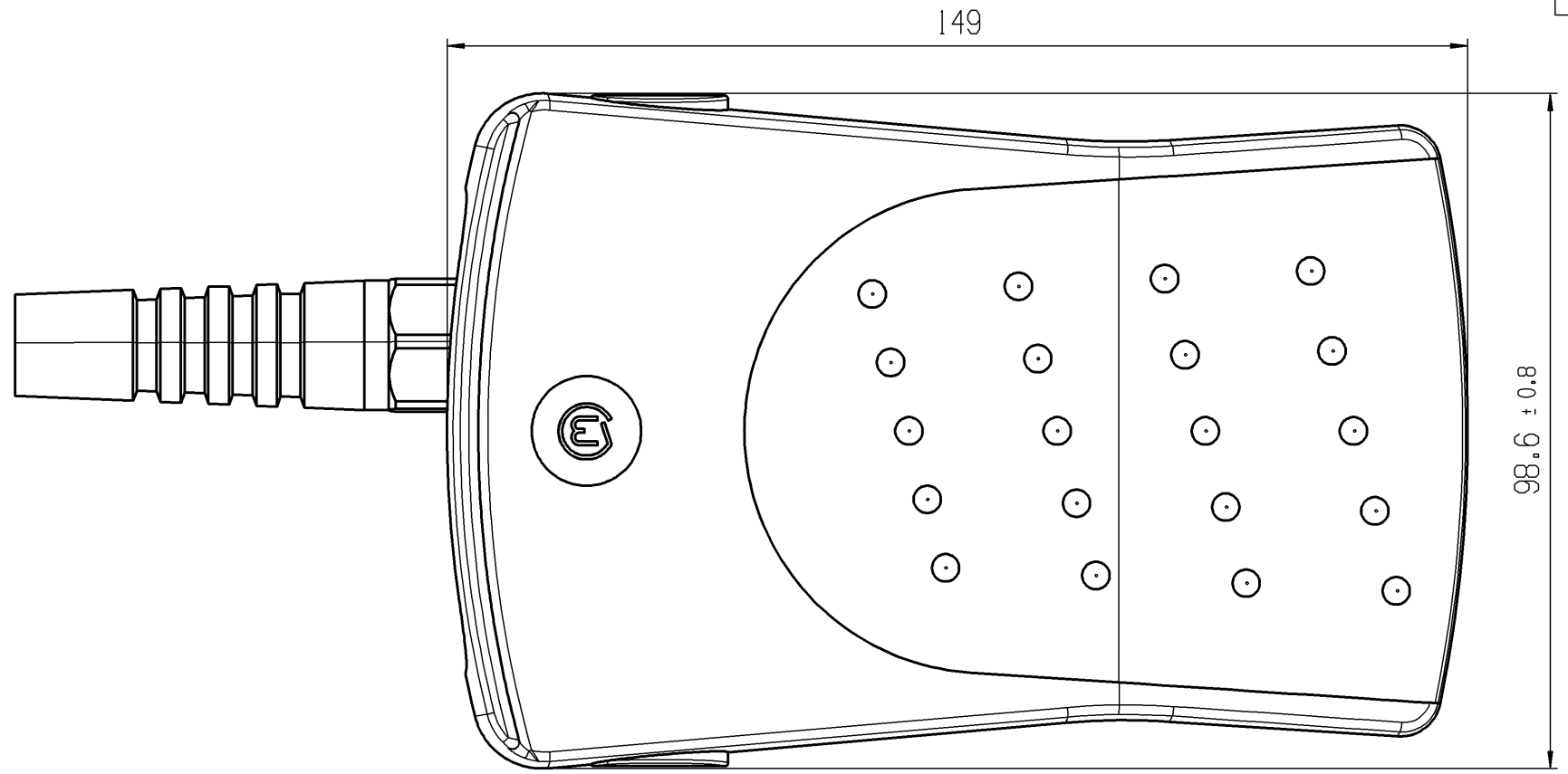
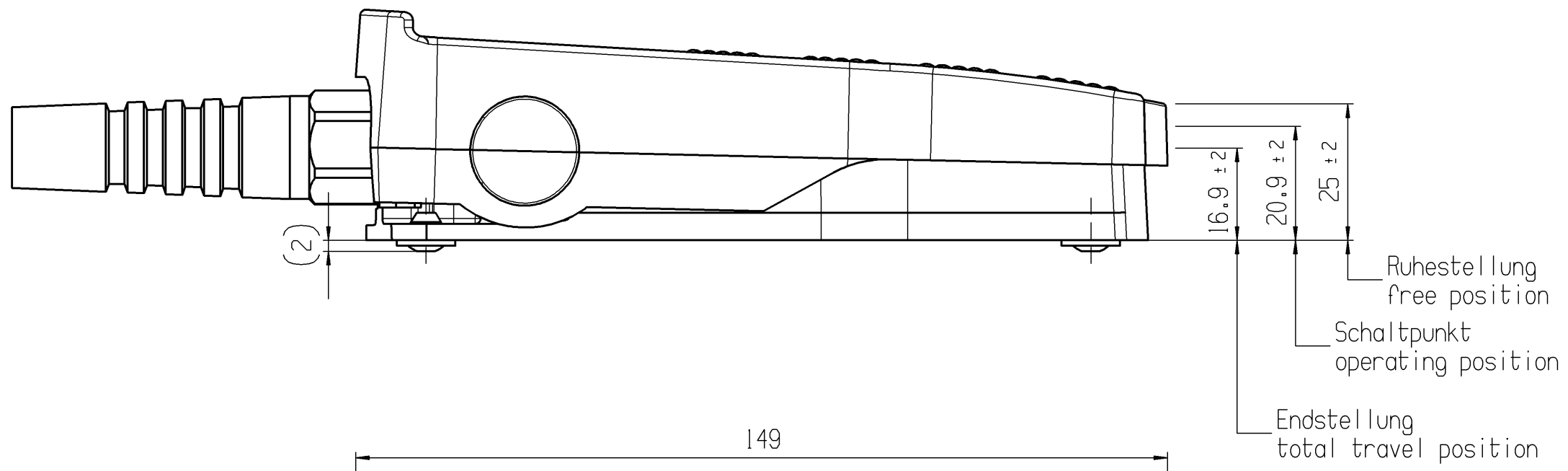


THIS DRAWING IS THE EXCLUSIVE PROPERTY OF MARQUARDT. WITHOUT THEIR CONSENT IT MAY NOT BE REPRODUCED OR GIVEN TO THIRD PARTIES.

CONFIDENTIAL

VERTRAULICH

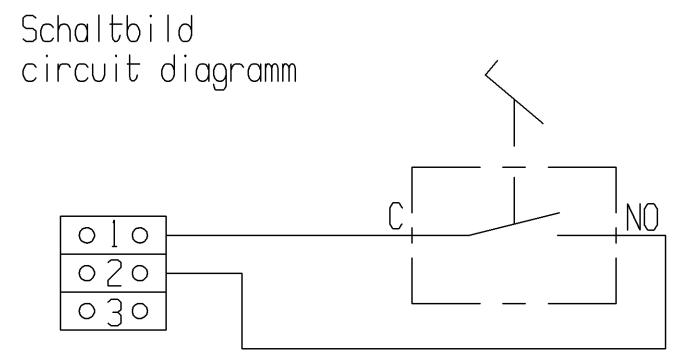
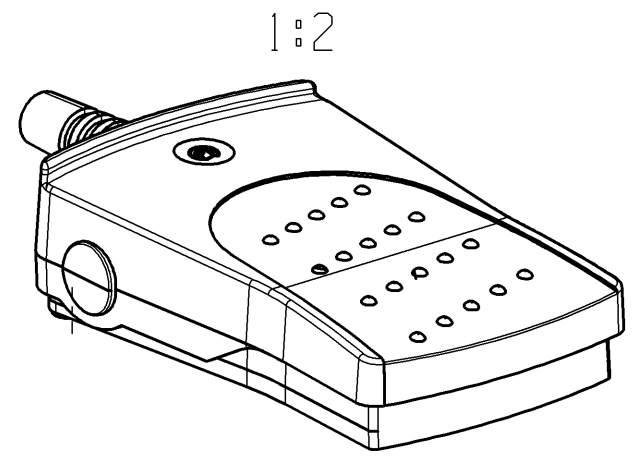
Alle Rechte bei Marquardt, auch fuer den Fall von Schutzrechtsanmeldungen. Jede Veruegungsbefugnis, wie Kopier- und Weitergaberecht, bei uns.



Aufschrift:
Marking:
Ⓜ 2420.0101
14(4) / 250 ~ μ 50E3
10
Herstelldatum:
Herstellort/ -jahr/ -woche/ -tag
nach Marquardt Standard
Date code of manufacture:
plant / year / week / day
acc. to Marquardt standard

Kraft in Ruhstellung
force in free position 24 N ± 10 N
Kraft an Schaltpunkt
force at operating position 30 N ± 10 N
Kraft in Endstellung
force at total travel position 35 N ± 10 N

Beigelegte Bedienungsanleitung beachten
Please observe user manual for
further information



-		-		-		2420.0101-XX		
Figure	Type			Customer No.	Art.No.-PI			
All dimensions are in millimetres	Shape and location	Angle	Edge tolerance	General tolerances		Sheet 01		
				Length	Radii	Format DIN A3	Projection	Scale 1:1
				0-6 ± 0.15 ± 0.2	>6-15 ± 0.2 ± 0.3			
				>15-30 ± 0.25 ± 0.5	>30-70 ± 0.4 ± 0.5	System NX V11.0		
				>70-120 ± 0.6 ± 0.6	>120 ± 0.8 ± 10%		Replacement of V09111350	
d	123519	2019-06-12	TRIGUIK	Ident. K	Document number 24200101	Index d		
c	74959	2011-08-25	FRT	Foot switch				
b	73342	2011-04-19	HHE	MARQUARDT				
a	71861	2011-02-01	FRT					
Index	MEC-No.	Date (YYYY-MM-DD)	Edited by					