
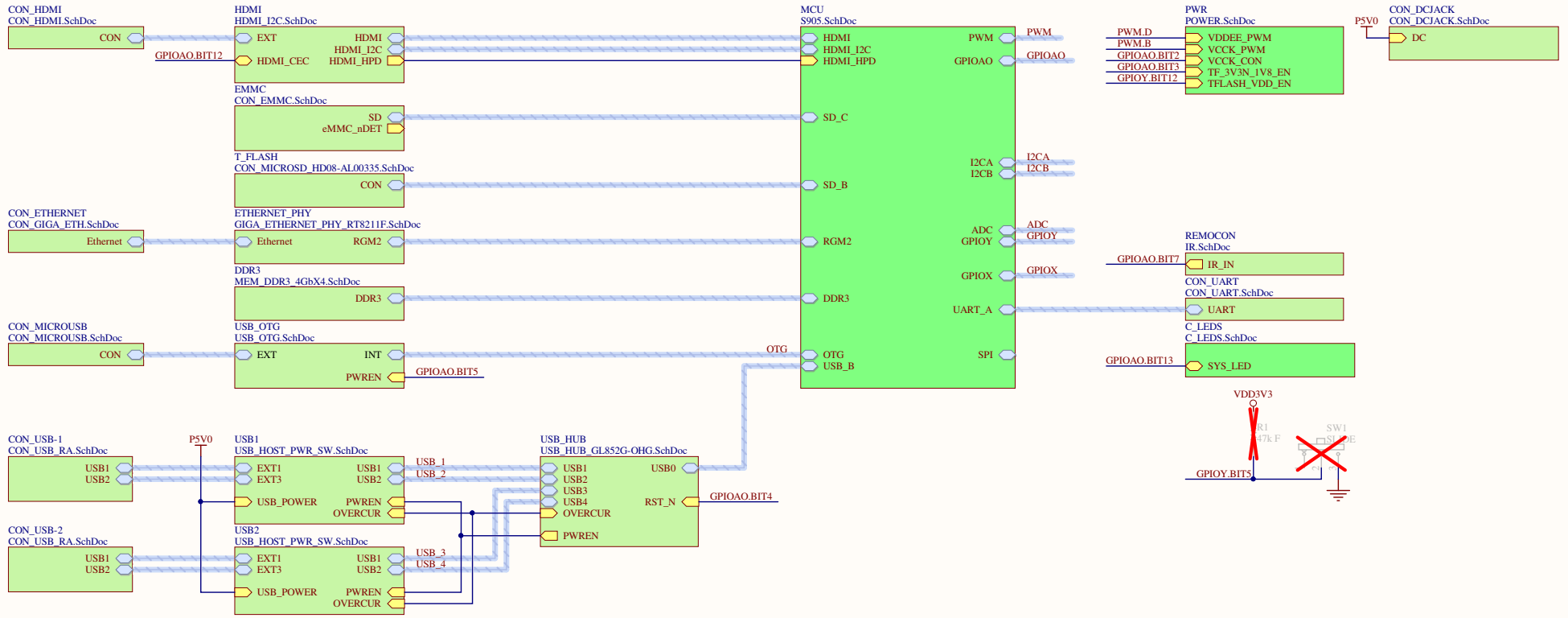
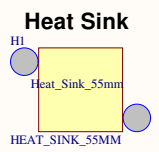


Title <b>S905</b>			Hardkernel Co.,LTD. 475-1 Mananro Manangu, Anyang City Gyeonggido South Korea Designed by: <a href="mailto:ruppi.kim@hardkernel.com">ruppi.kim@hardkernel.com</a>	
Size: A4	Number:2	Revision:0.1		
Date: 2016-02-22	Time: 오후 5:12:43	Sheet2 of 26		
File: S905.SchDoc				

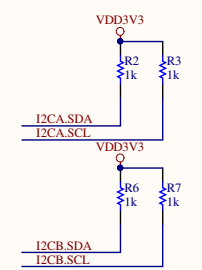
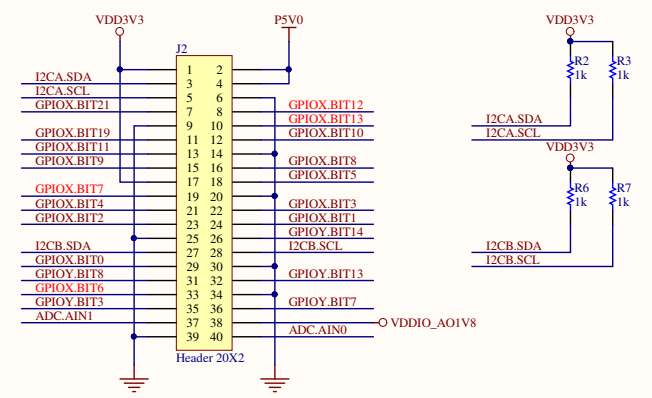
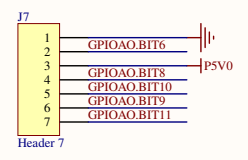


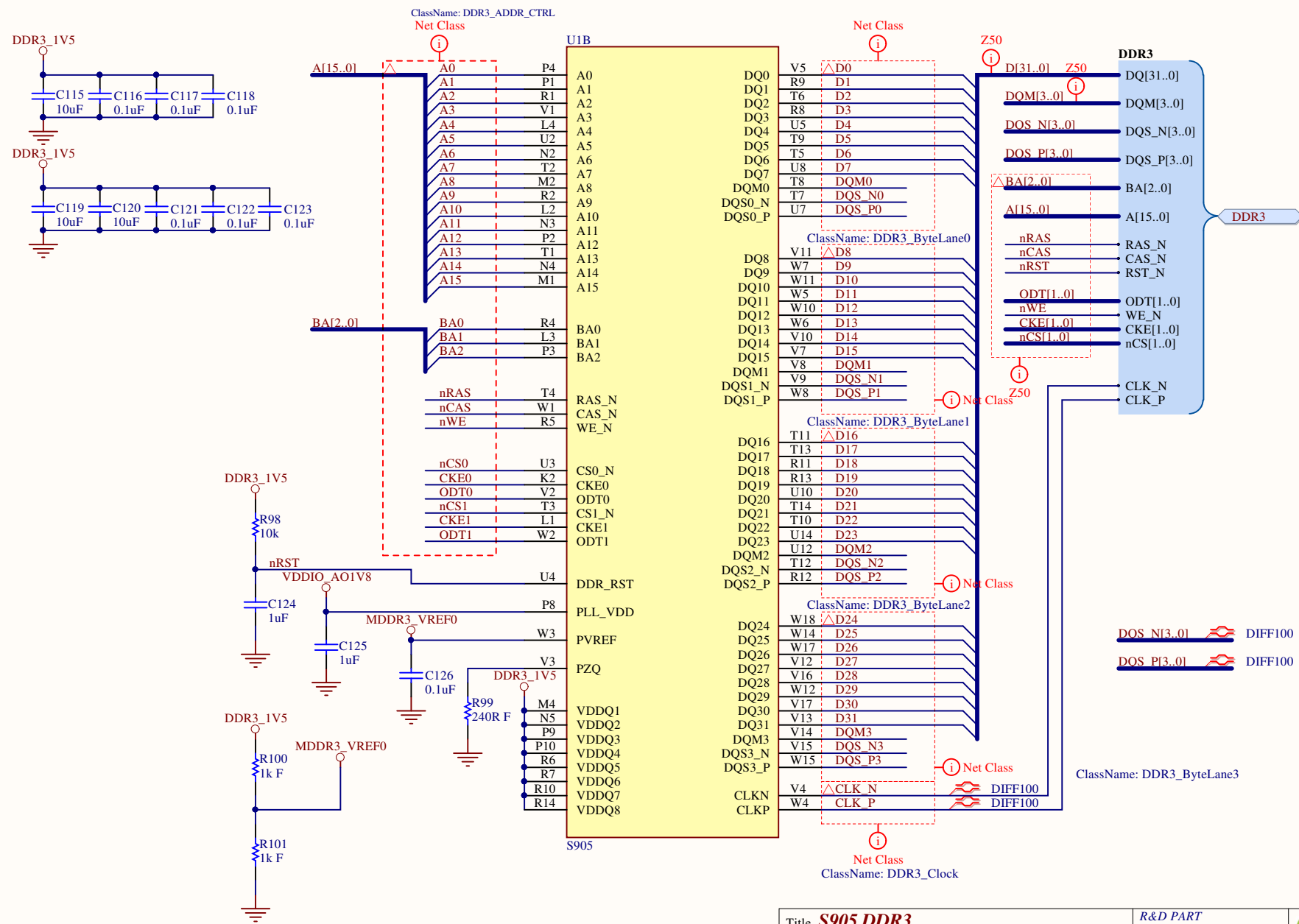
### Mounting Holes

- MH1 MOUNTING HOLE 3MM
- MH2 MOUNTING HOLE 3MM
- MH3 MOUNTING HOLE 3MM
- MH4 MOUNTING HOLE 3MM



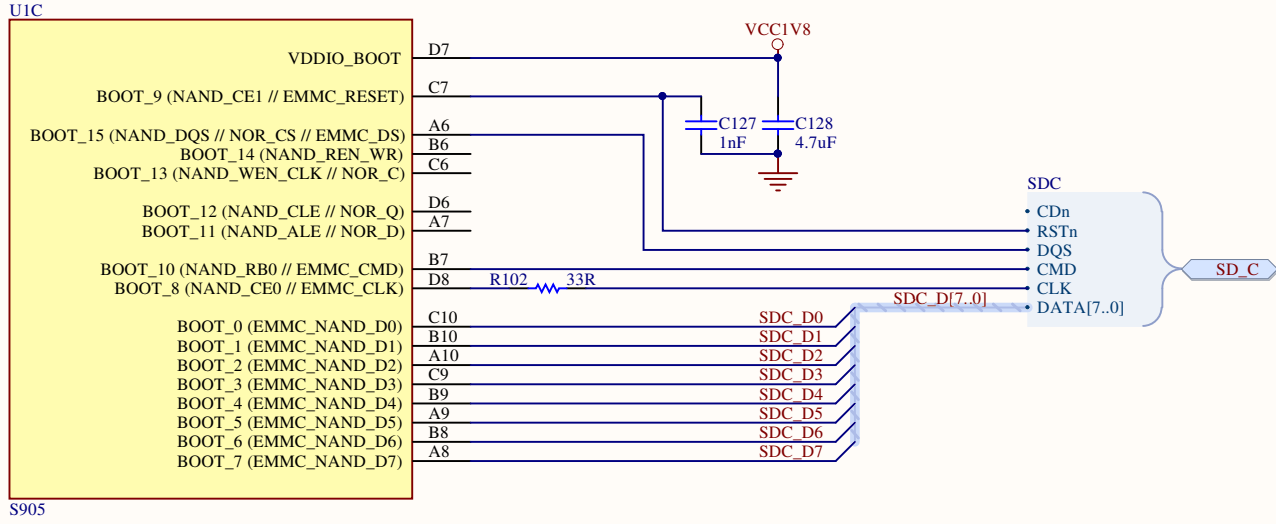
GPIOY.BIT1	GPIOY.BIT0	Revision
0	0	0.1
0	1	0.2
1	0	0.3
1	1	0.4





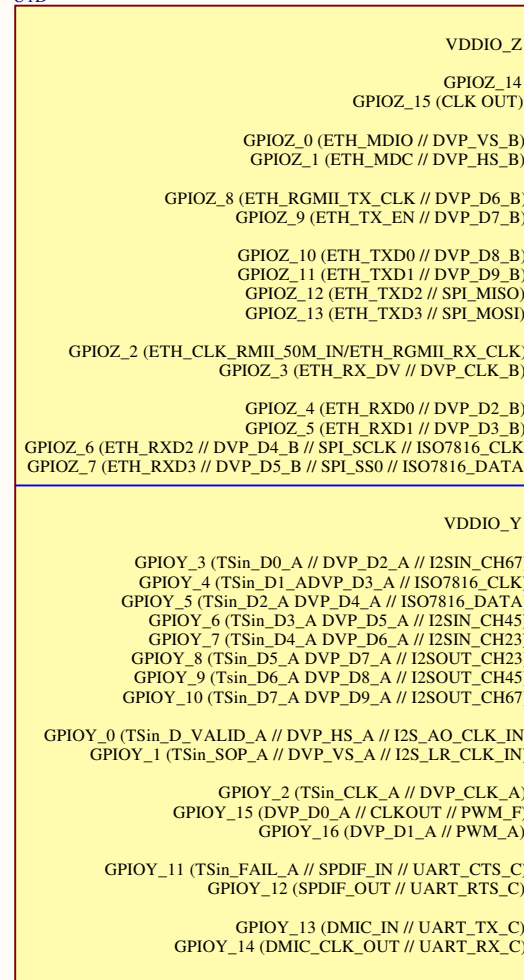
Title <b>S905 DDR3</b>			R&D PART 704 Anyang K-center 1591-9
Size: A4	Number:5	Revision:0.3	Burim Dongan Gu
Date: 2016-02-22	Time: 오후 5:12:43	Sheet5 of 26	Gyeonggido
File: S905_DDR3.SchDoc			South Korea
			Designed by: ruppi.kim@hardkernel.com



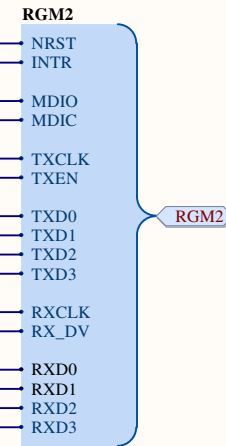
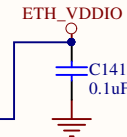


Title <b>S805 FLASH</b>			R&D PART	
Size: A4	Number:6	Revision:0.3	704 Anyang K-center 1591-9	
Date: 2016-02-22	Time: 오후 5:12:44 Sheet 6 of 26		Burim Dongan Gu	
File: S905_FLASH.SchDoc			Gyeongido	
			South Korea	
			Designed by: <a href="mailto:ruppi.kim@hardkernel.com">ruppi.kim@hardkernel.com</a>	

UID

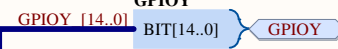


S905

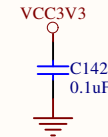


RGM2

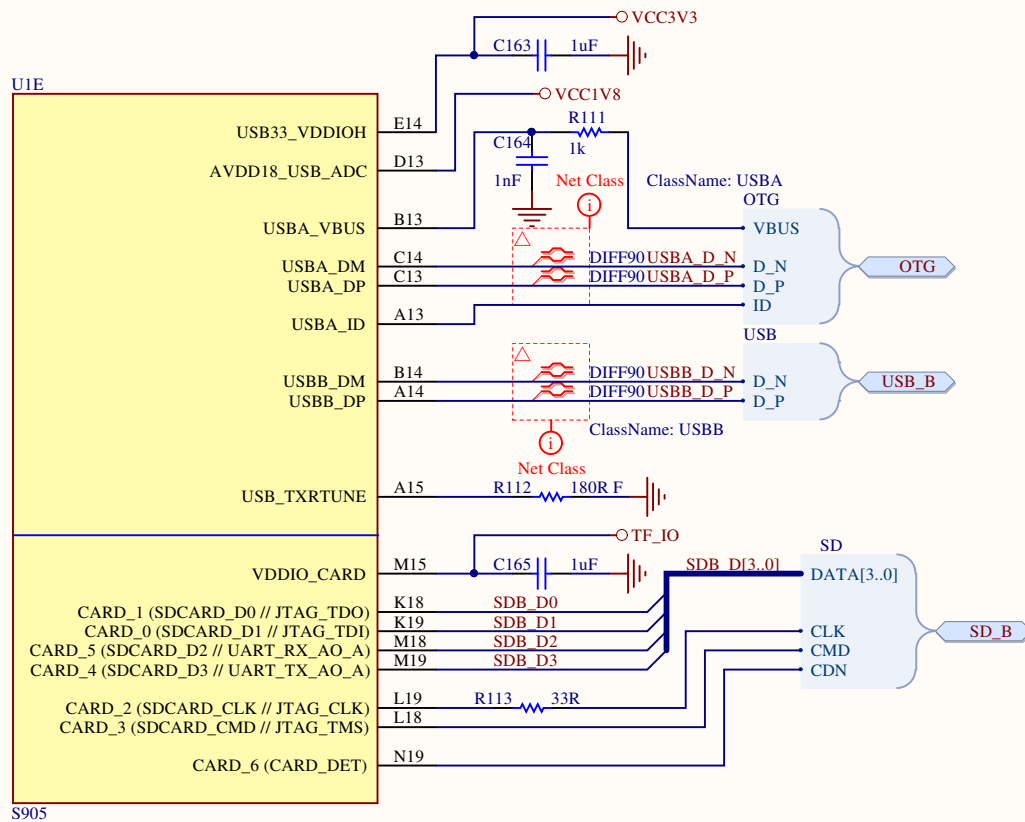
VCC3V3



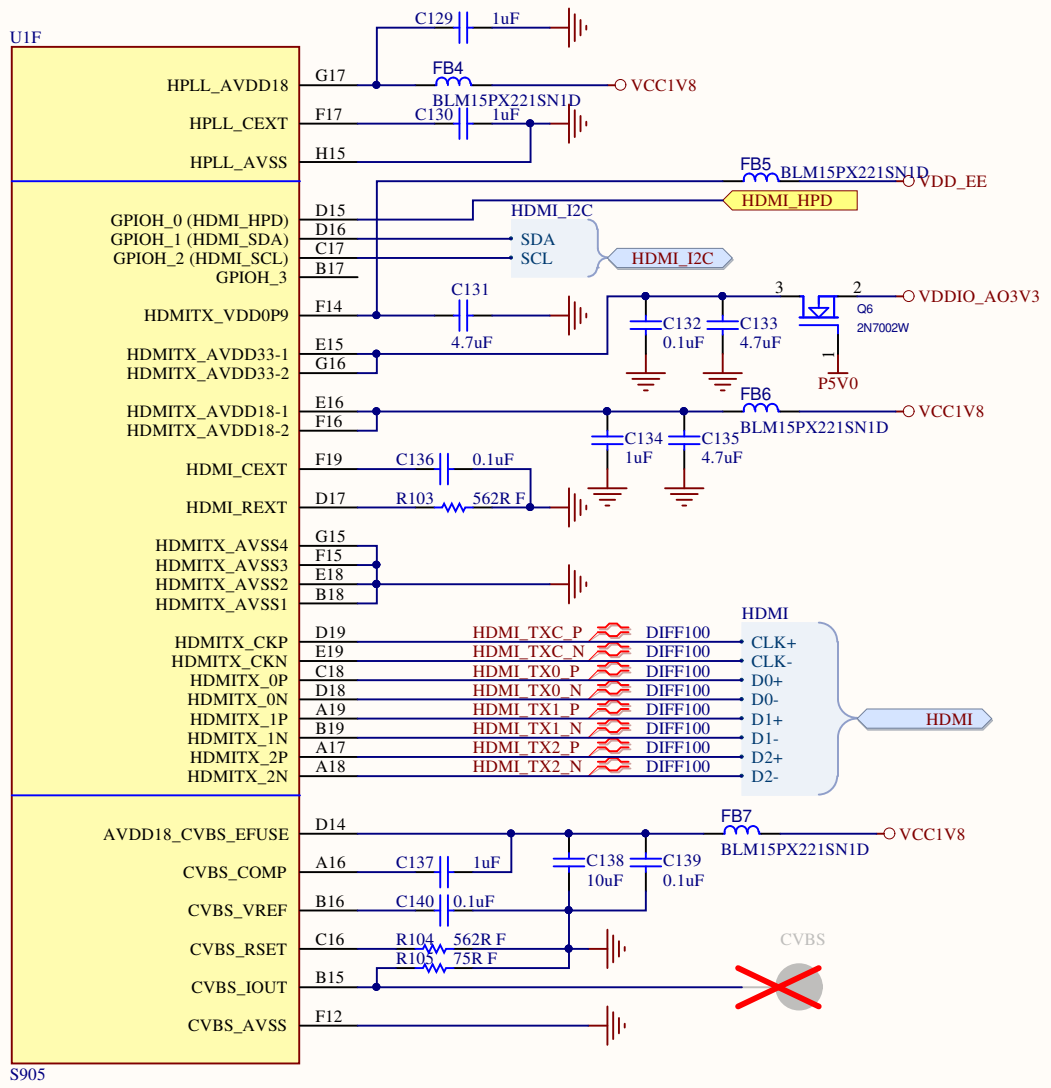
GPIOY



Title <b>S805 IO2</b>			R&D PART 704 Anyang K-center 1591-9	
Size: A4	Number:7	Revision:0.3	Burim Dongan Gu	
Date: 2016-02-22	Time: 오후 5:12:44 Sheet 7 of 26		Gyeonggido	
File: S905 IO2.SchDoc			South Korea	
			Designed by: ruppi.kim@hardkernel.com	

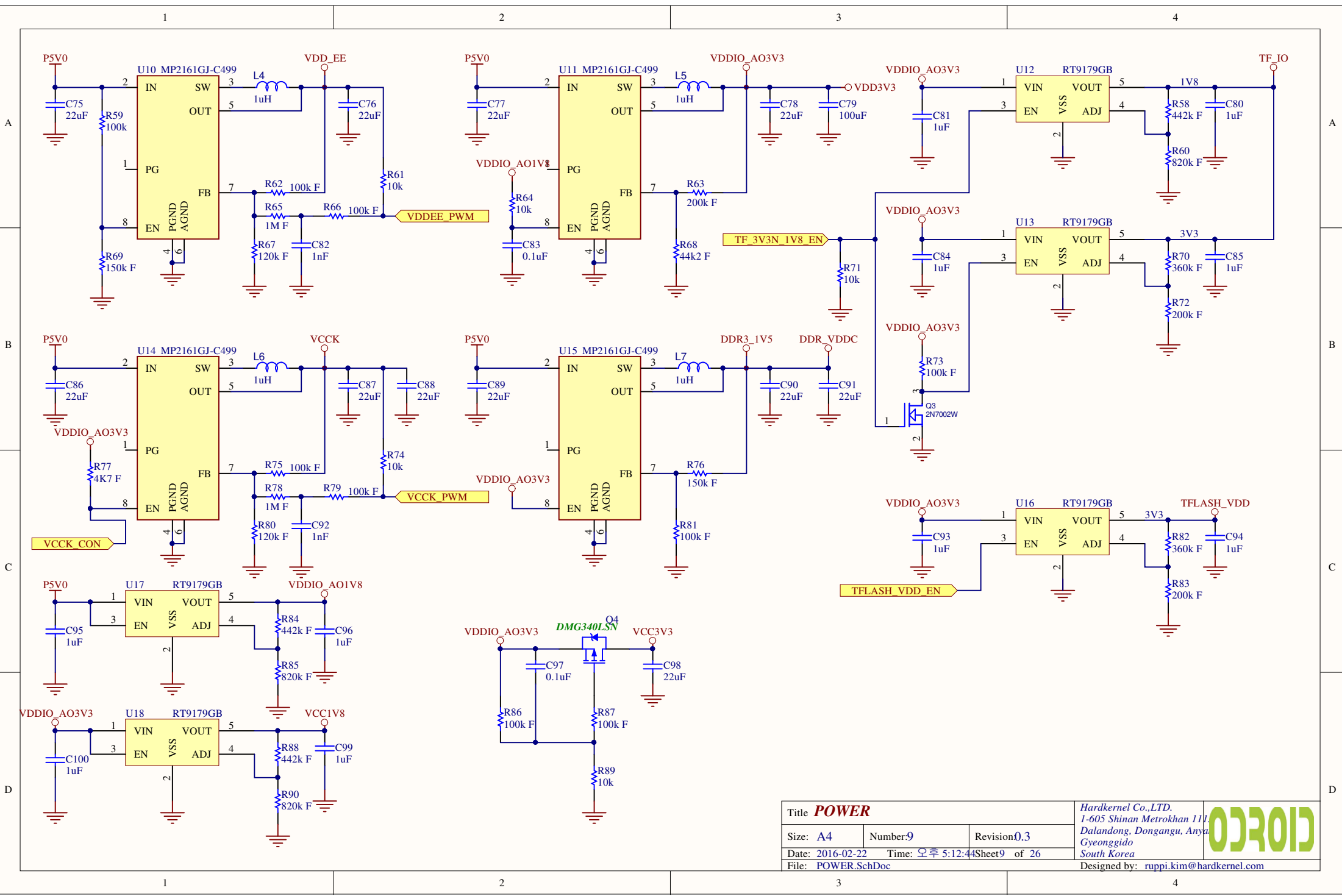


Title <b>S805 USB2 SDB</b>			R&D PART	<b>OSROID</b>
Size: A4	Number:8	Revision:0.3	704 Anyang K-center 1591-9	
Date: 2016-02-22	Time: 오후 5:12:44 Sheet 8 of 26		Burim Dongan Gu	
File: S905_USB_TFLASH.SchDoc			Gyeongdo	
			South Korea	
			Designed by: ruppi.kim@hardkernel.com	

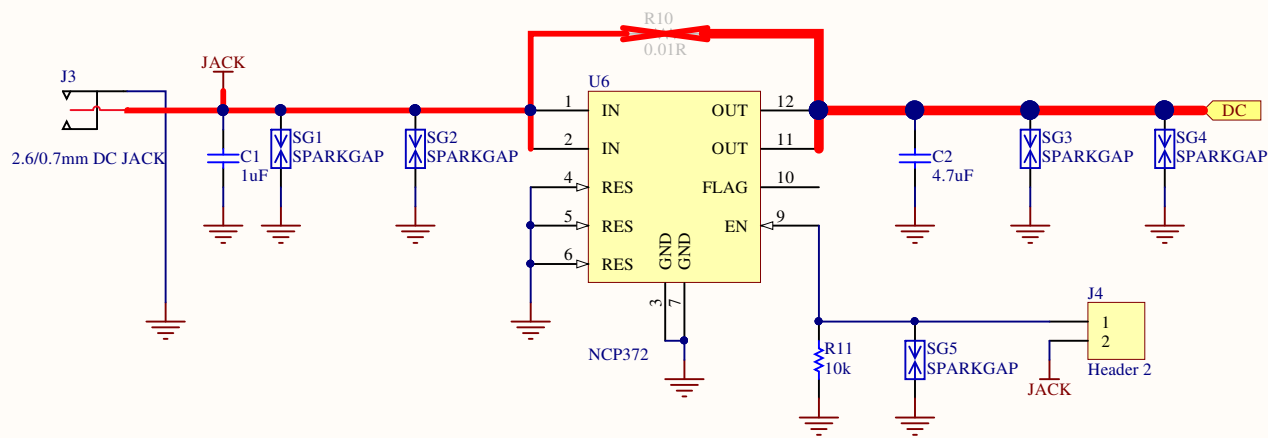



Title <b>S805 HDMI</b>			R&D PART 704 Anyang K-center 1591-9	
Size: A4	Number: 8	Revision: 0.3	Burim Dongan Gu	
Date: 2016-02-22	Time: 오후 5:12:44	Sheet 8 of 26	Gyeonggido	
File: S905_HDMI.SchDoc			South Korea	
			Designed by: <a href="mailto:ruppi.kim@hardkernel.com">ruppi.kim@hardkernel.com</a>	

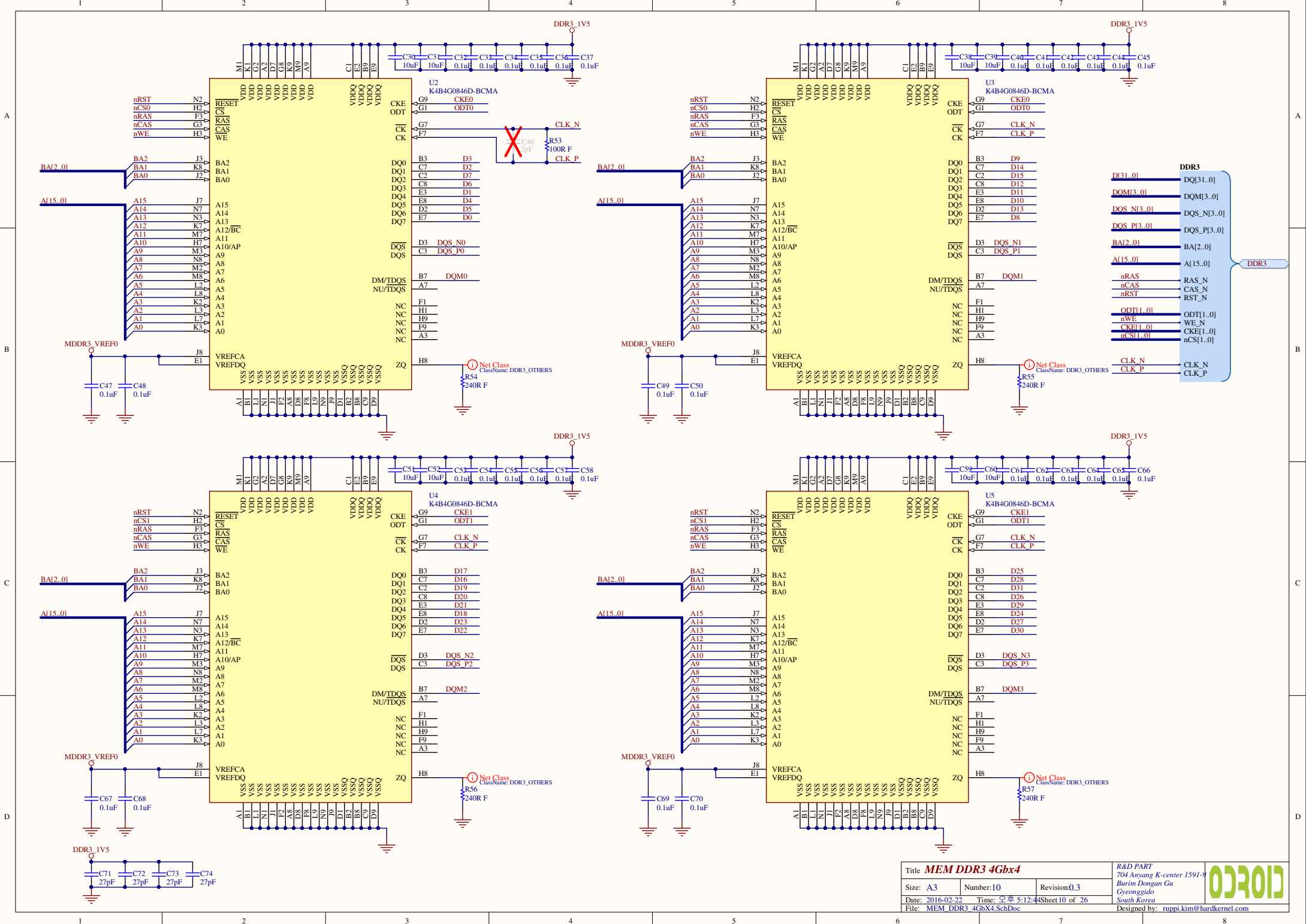


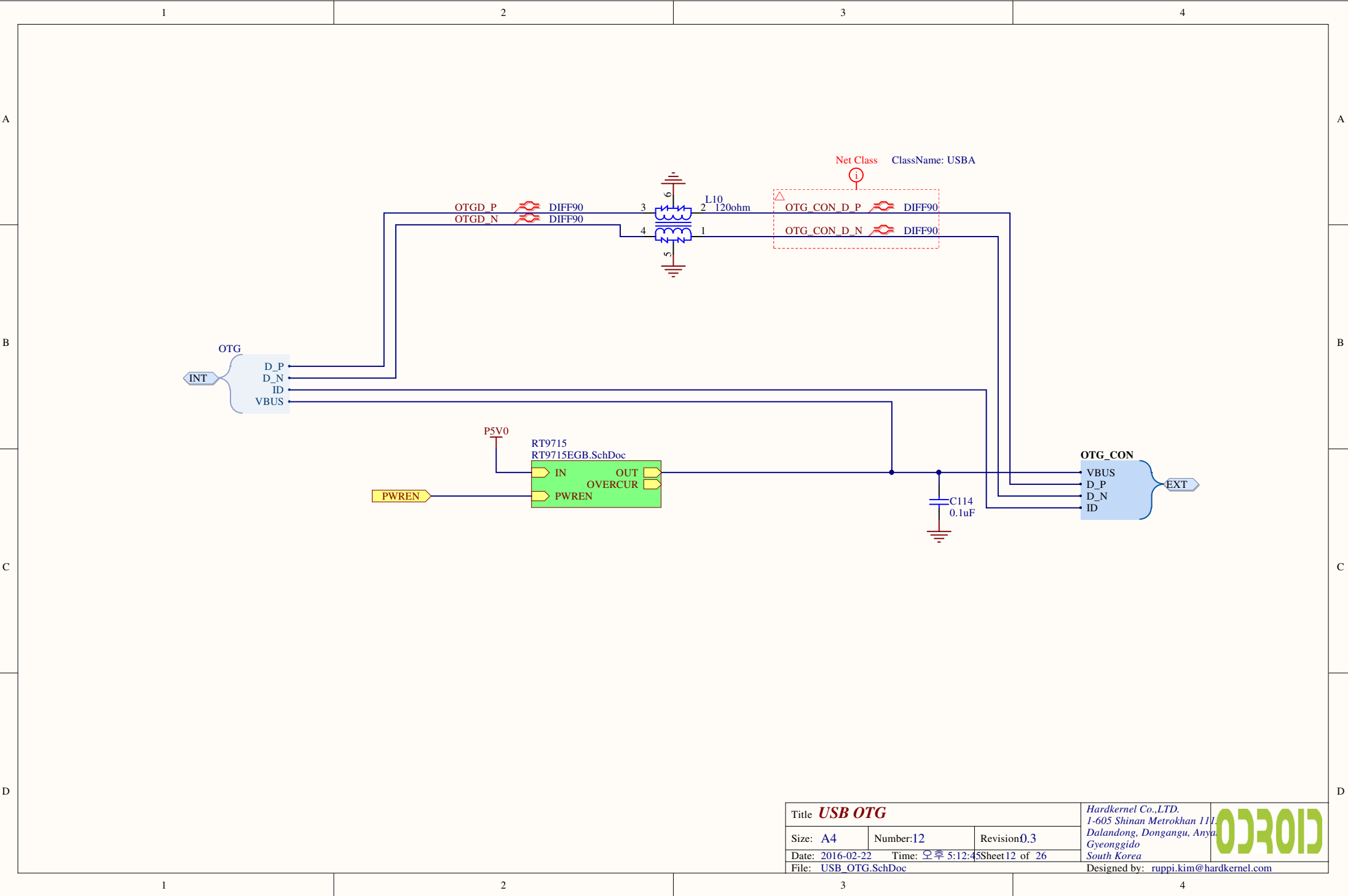


Title <b>POWER</b>			Hardkernel Co.,LTD. 1-605 Shinan Metrokhan 111, Dalandong, Dongang, Anya Gyeonggido South Korea	
Size: A4	Number:9	Revision:0.3		
Date: 2016-02-22	Time: 오후 5:12:44		Sheet9 of 26	
File: POWER.SchDoc			Designed by: ruppi.kim@hardkernel.com	



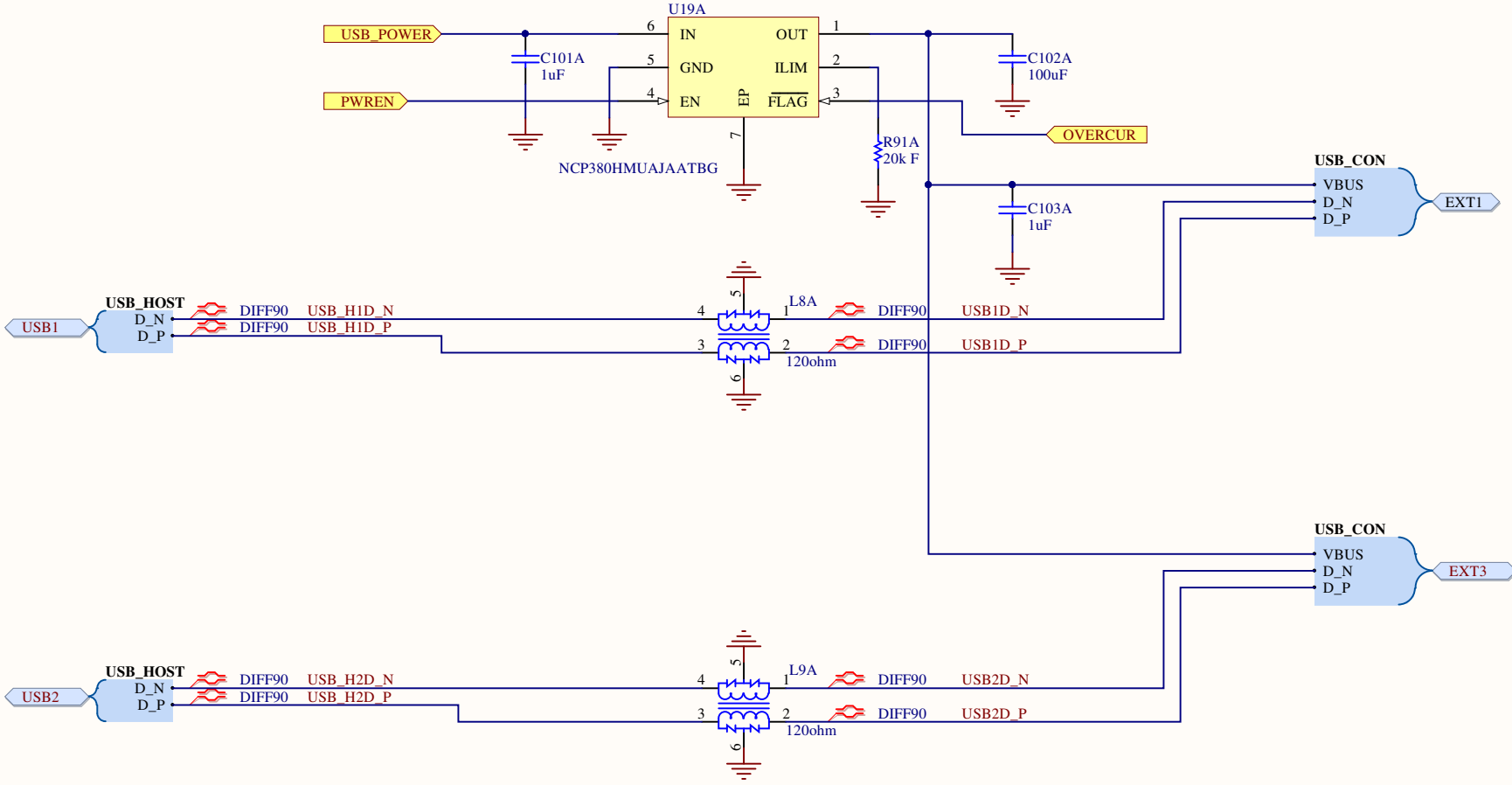
Title <b>DC Jack</b>			Hardkernel Co.,LTD. 704 Anyang K-center 1591-9 Burim, Dongangu, Anyang Gyeonggido South Korea	
Size: A4	Number:9	Revision:0.3		
Date: 2016-02-22	Time: 오후 5:12:44 Sheet 9 of 26		Designed by: ruppi.kim@hardkernel.com	
File: CON_DCJACK.SchDoc				



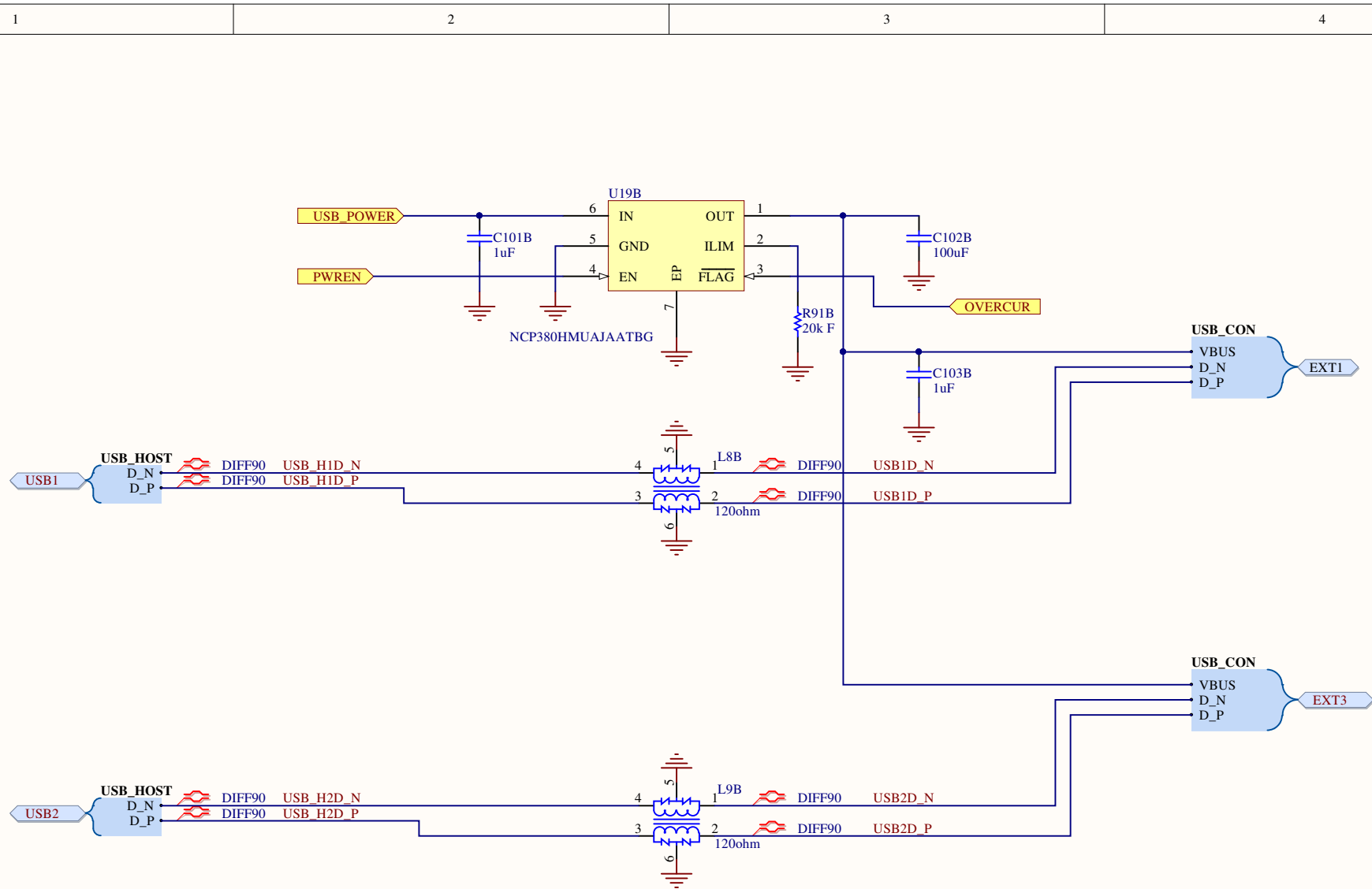


Title <b>USB OTG</b>			Hardkernel Co.,LTD. 1-605 Shinan Metrokhan 111 Dalandong, Dongangu, Anyang Gyeonggido South Korea Designed by: <a href="mailto:ruppi.kim@hardkernel.com">ruppi.kim@hardkernel.com</a>
Size: A4	Number:12	Revision0.3	
Date: 2016-02-22	Time: 오후 5:12:45 Sheet 12 of 26		
File: USB_OTG.SchDoc			



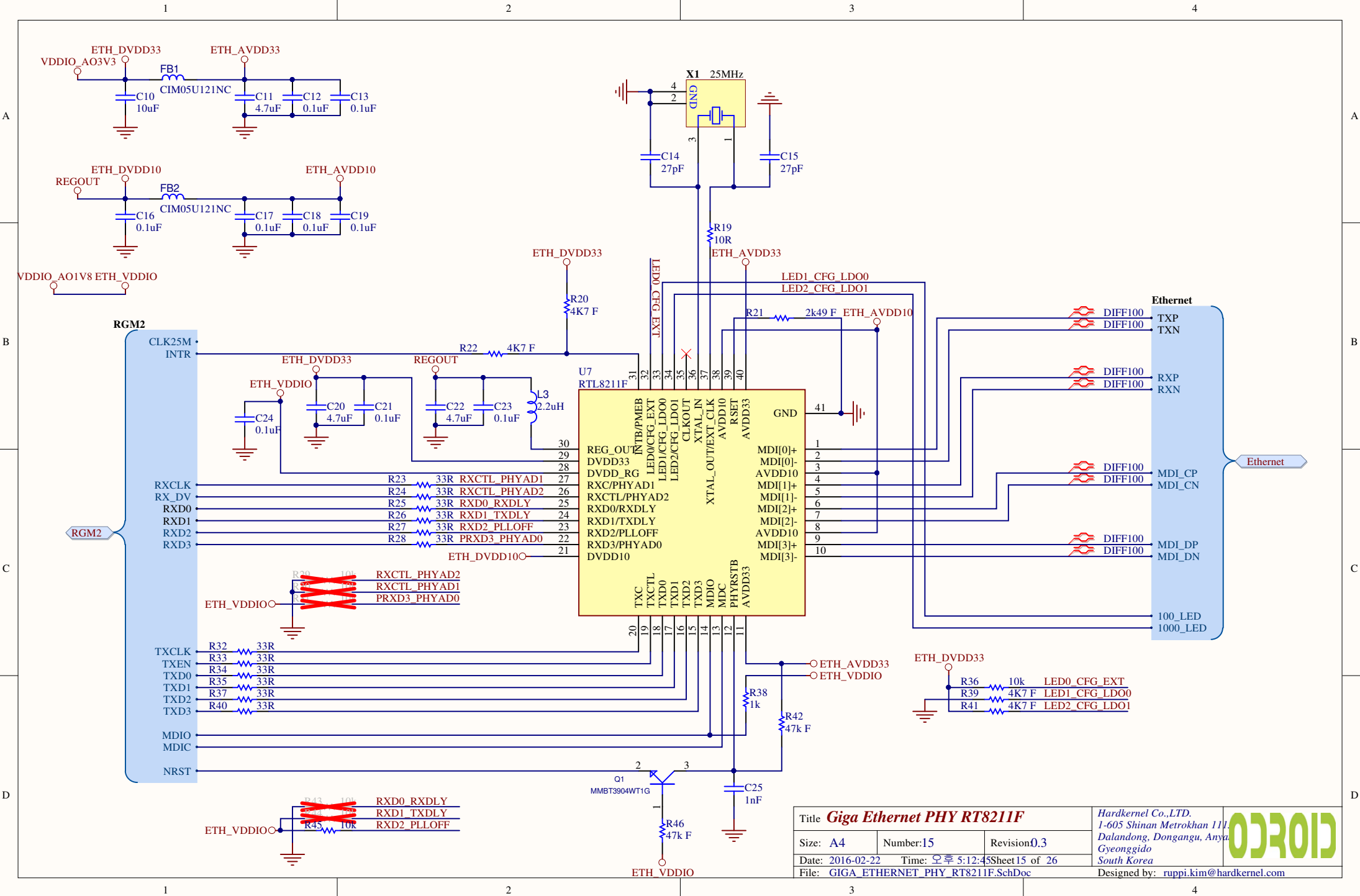


Title <b>USB HOST PWR SW</b>			Hardkernel Co.,LTD. 1-605 Shinan Metrokhan 111 Dalandong, Dongangu, Anyang Gyeonggido South Korea	
Size: A4	Number:13	Revision:0.3		
Date: 2016-02-22	Time: 오후 5:12:45		Sheet 13 of 26	
File: USB_HOST_PWR_SW.SchDoc			Designed by: ruppi.kim@hardkernel.com	



Title <b>USB HOST PWR SW</b>			Hardkernel Co.,LTD. 1-605 Shinan Metrokhan 111, Dalandong, Dongangu, Anyang, Gyeonggido South Korea	
Size: A4	Number:13	Revision:0.3		
Date: 2016-02-22	Time: 오후 5:12:45	Sheet 13 of 26		
File: USB_HOST_PWR_SW.SchDoc			Designed by: ruppi.kim@hardkernel.com	





Title **Giga Ethernet PHY RT8211F**

Hardkernel Co.,LTD.  
1-605 Shinan Metrokhan 111,  
Dalandong, Dongangu, Anya  
Gyeonggido  
South Korea



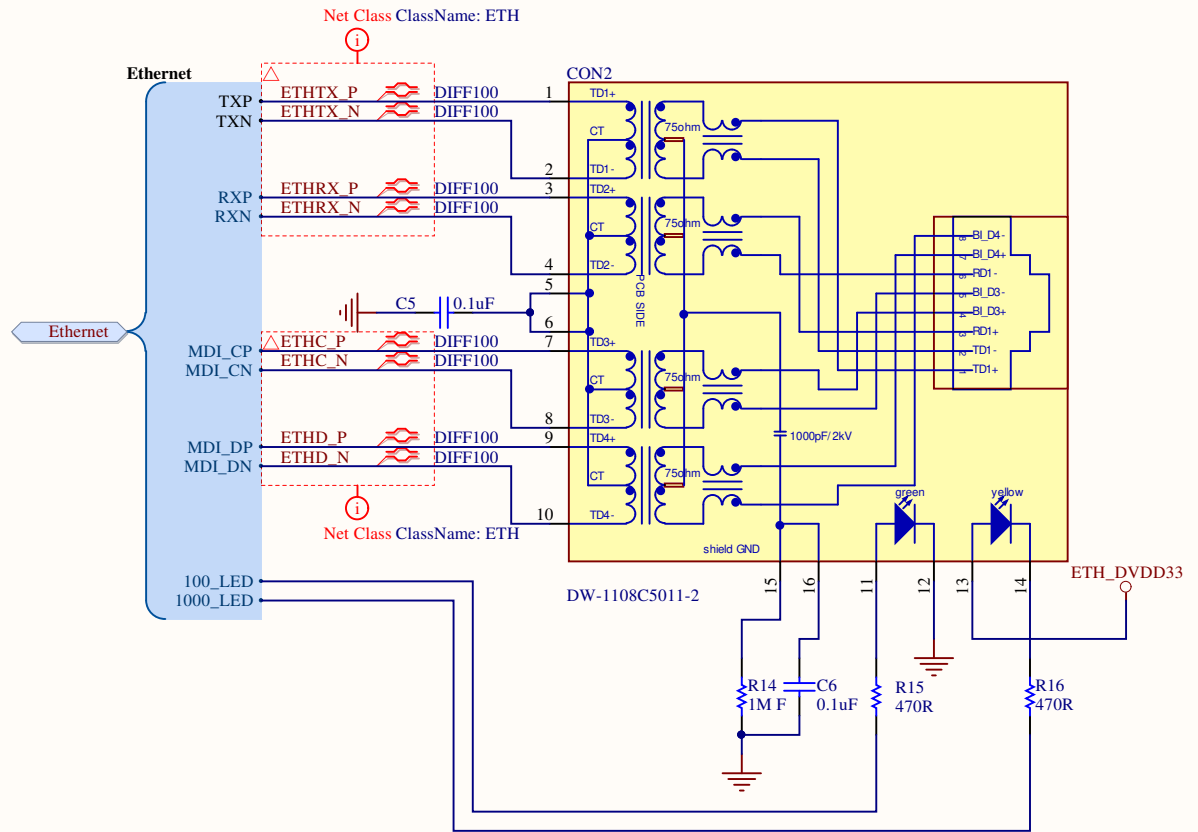
Size: A4    Number:15    Revision:0.3

Date: 2016-02-22    Time: 오후 5:12:45 Sheet 15 of 26

File: GIGA\_ETHERNET\_PHY\_RT8211F.SchDoc

Designed by: ruppi.kim@hardkernel.com





Title **Giga Ethernet**

Size: A4

Number:16

Revision0.3

Date: 2016-02-22

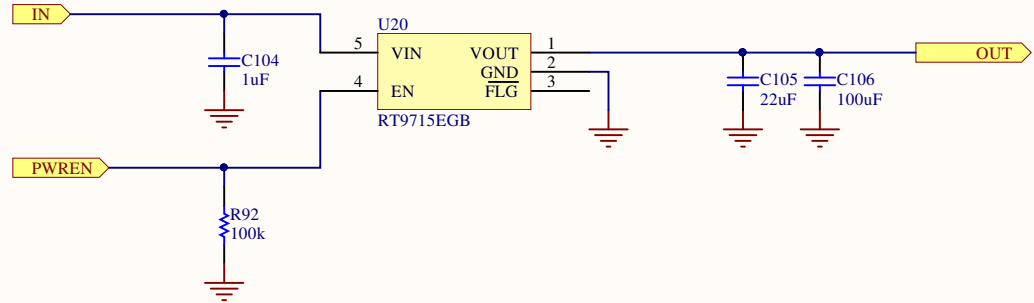
Time: 오후 5:12:45 Sheet 16 of 26


File: CON\_GIGA\_ETH.SchDoc

Hardkernel Co.,LTD.  
704 Anyang K-center 1591-9  
Burim, Dongangu, Anyang  
Gyeonggido  
South Korea



Designed by: ruppi.kim@hardkernel.com



Title <b>USB HOST Power Switch</b>			Hardkernel Co.,LTD. 704 Anyang K-center 1591-9 Burim, Dongangu, Anyang Gyeonggido South Korea	
Size: A4	Number:17	Revision:0.3		
Date: 2016-02-22	Time: 오후 5:12:45 Sheet 17 of 26		Designed by: <a href="mailto:ruppi.kim@hardkernel.com">ruppi.kim@hardkernel.com</a>	
File: RT9715EGB.SchDoc				

1

2

3

4

A

A

B

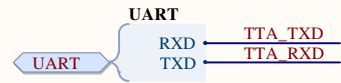
B


C

C

D

D



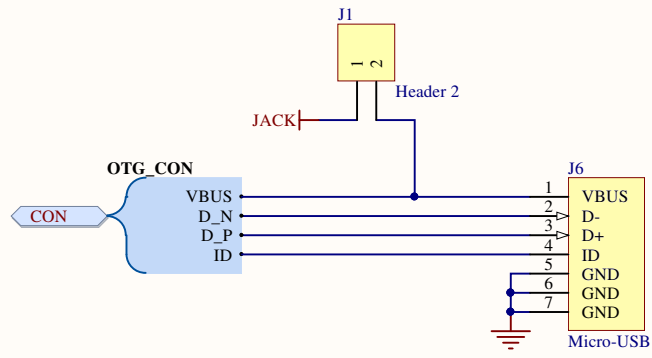
Title <b>CON_UART</b>			Hardkernel Co.,LTD. 704 Anyang K-center 1591-9 Burim, Dongangu, Anyang Gyeonggido South Korea 
Size: A4	Number:18	Revision0.3	
Date: 2016-02-22	Time: 오후 5:12:45 Sheet 18 of 26		
File: CON_UART.SchDoc			
Designed by: ruppi.kim@hardkernel.com			


1

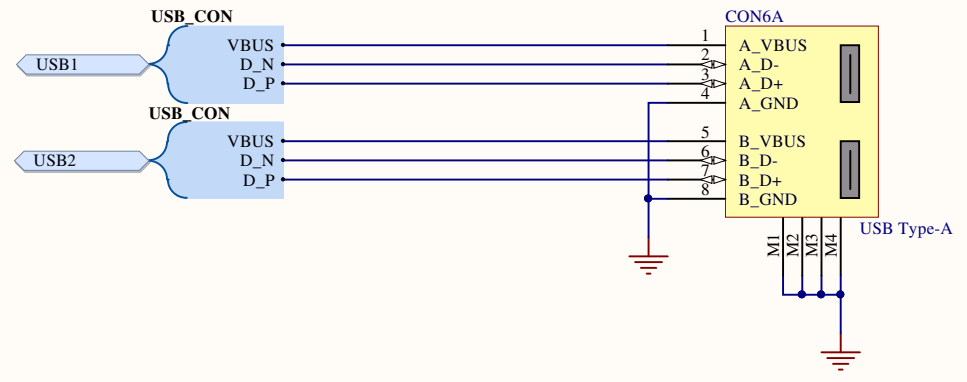
2

3

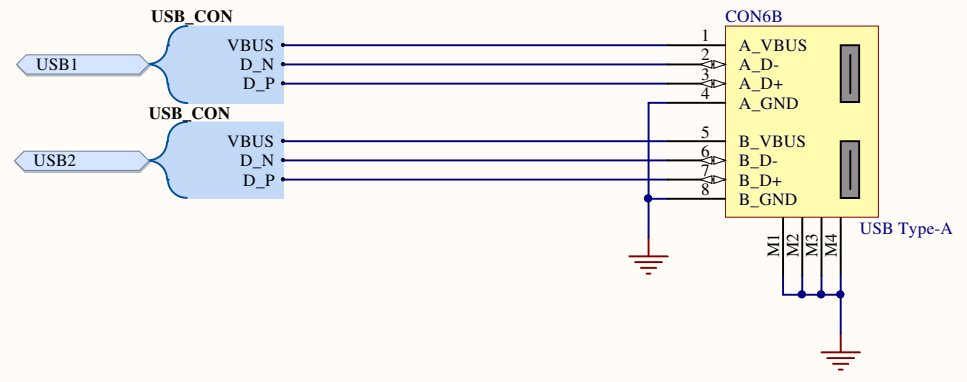
4



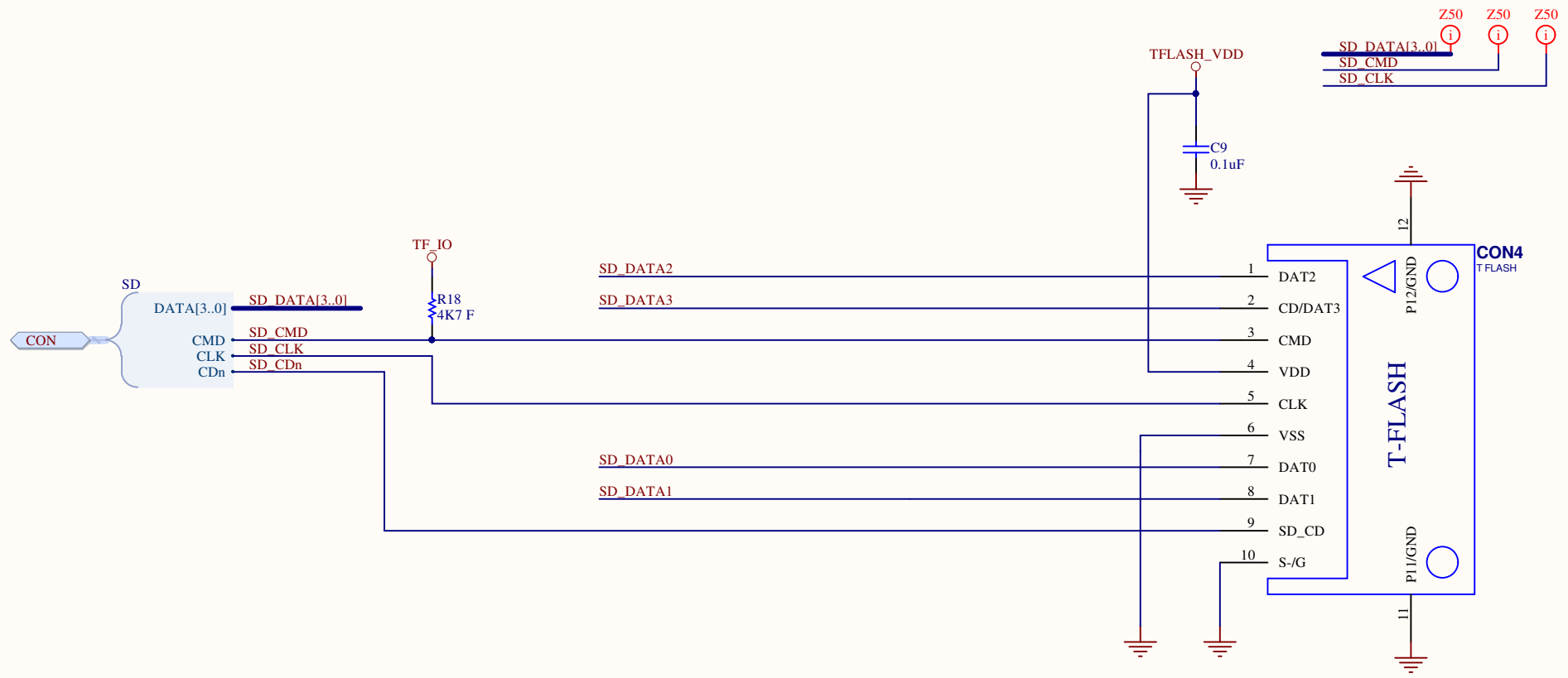
Title <b>Micro USB Connector</b>			Hardkernel Co.,LTD. 704 Anyang K-center 1591-5 Burim, Dongangu, Anyang Kyeonggido South Korea	
Size: A4	Number:19	Revision:0.3		
Date: 2016-02-22	Time: 오후 5:12:45 Sheet 19 of 26		Designed by: <a href="mailto:ruppi.kim@hardkernel.com">ruppi.kim@hardkernel.com</a>	
File: CON_MICROUSB.SchDoc				



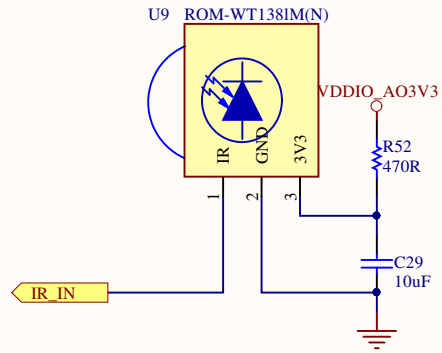
Title <b>USB 2.0 Type A Connector</b>			Hardkernel Co.,LTD. 1-605 Shinan Metrokhan 111 Dalandong, Dongangu, Anyang Gyeonggido South Korea	
Size: A4	Number:20	Revision:0.3		
Date: 2016-02-22	Time: 오후 5:12:45		Sheet 20 of 26	
File: CON_USB_RA.SchDoc			Designed by: ruppi.kim@hardkernel.com	



Title <b>USB 2.0 Type A Connector</b>			Hardkernel Co.,LTD. 1-605 Shinan Metrokhan 111, Dalandong, Dongangu, Anyang, Gyeonggido South Korea	
Size: A4	Number:20	Revision:0.3		
Date: 2016-02-22	Time: 오후 5:12:45		Sheet 20 of 26	
File: CON_USB_RA.SchDoc			Designed by: ruppi.kim@hardkernel.com	



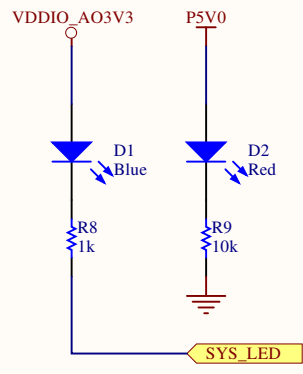
Title <b>Micro SD Socket</b>			Hardkernel Co.,LTD. 704 Anyang K-center 1591-9 Burim, Dongangu, Anyang Gyeonggido South Korea	
Size: A4	Number:21	Revision:0.3		
Date: 2016-02-22	Time: 오후 5:12:45 Sheet 21 of 26		Designed by: ruppi.kim@hardkernel.com	
File: CON_MICROSD_HD08-AL00335.SchDoc				



Title <b>Remote Control Receiver</b>			<i>Hardkernel Co.,LTD.</i> 1-605 Shinan Metrokhan 111 Dalandong, Dongangu, Anyang Gyeonggido South Korea Designed by: <a href="mailto:ruppi.kim@hardkernel.com">ruppi.kim@hardkernel.com</a>
Size: A4	Number:22	Revision:0.3	
Date: 2016-02-22	Time: 오후 5:12:45 Sheet 22 of 26		
File: IR.SchDoc			

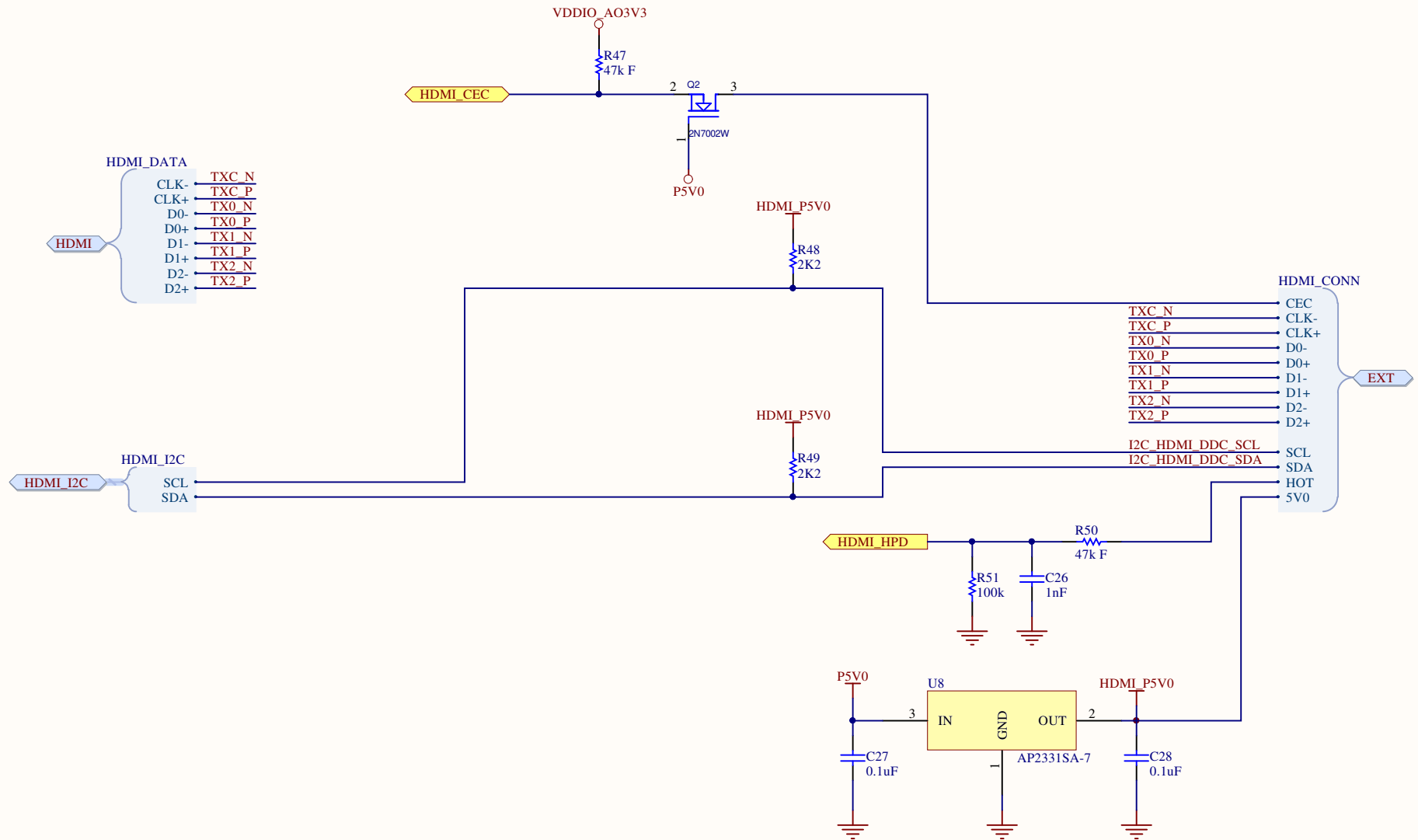






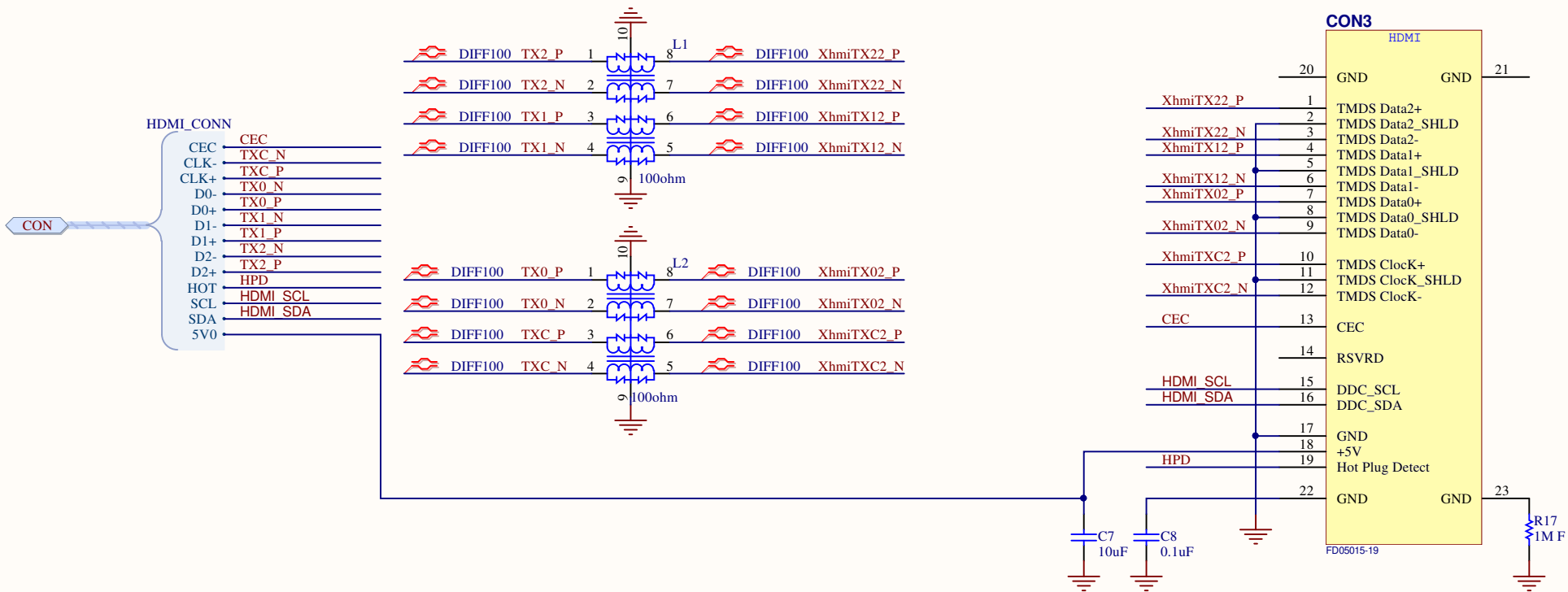
Title <b>LEDs</b>			Hardkernel Co.,LTD. 704 Anyang K-center 1591-9 Burim Dongan Gu Gyeonggido South Korea Designed by: <a href="mailto:ruppi.kim@hardkernel.com">ruppi.kim@hardkernel.com</a>
Size: A4	Number:23	Revision:0.3	
Date: 2016-02-22	Time: 오후 5:12:45 Sheet 23 of 26		
File: C_LEDS.SchDoc			



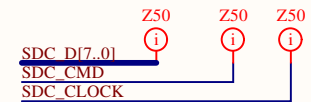
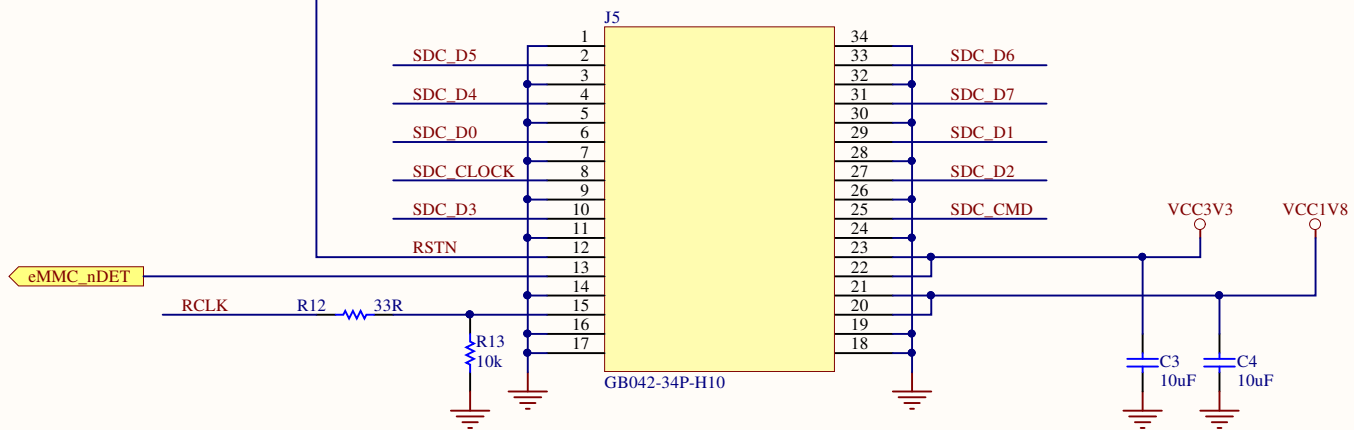
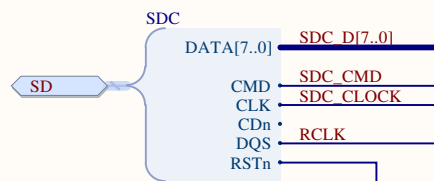


Title <b>HDMI 2C</b>			Hardkernel Co.,LTD. 704 Anyang K-center 1591-5 Burim, Dongangu, Anyang Kyeongido South Korea Designed by: <a href="mailto:ruppi.kim@hardkernel.com">ruppi.kim@hardkernel.com</a>
Size: A4	Number:24	Revision:0.3	
Date: 2016-02-22	Time: 오후 5:12:45	Sheet:24 of 26	
File: HDMI_I2C.SchDoc			





Title <b>HDMI Connector</b>			Hardkernel Co.,LTD. 704 Anyang K-center 1591-5 Burim, Dongangu, Anyang Kyeonggido South Korea	
Size: A4	Number:25	Revision:0.3		
Date: 2016-02-22	Time: 오후 5:12:45	Sheet:25 of 26	Designed by: ruppi.kim@hardkernel.com	
File: CON_HDMI.SchDoc				



Title <b>CON_EMMC</b>			Hardkernel Co.,LTD. 704 Anyang K-center 1591-9 Burim Dongan Gu Gyeonggido South Korea Designed by: <a href="mailto:ruppi.kim@hardkernel.com">ruppi.kim@hardkernel.com</a>
Size: A4	Number:26	Revision:0.3	
Date: 2016-02-22	Time: 오후 5:12:45	Sheet:26 of 26	
File: CON_EMMC.SchDoc			

