

TK24 1/2" Disc Thermostat

Operating Temperature Range (-45°C to +250°C)

This is a cyclic operating temperature sensitive device, which is intended to control the temperature between two particular values under normal operating conditions, automatically switching on or off the electrical circuit.

This thermostat can be built to either open or close its electrical contacts as the temperature increases. Once the temperature of the bimetal disc has returned to the specified reset temperature, the contacts will automatically return to their original state.

Besides its variety of standard configurations the thermostat can also be customized to the specific technical needs of the customer, assuring maximum design flexibility and usage in broad range of temperature control applications for consumer, industrial and commercial products.

Contact Type: Normally Closed; Normally Open

BASIC TECHNICAL DATA FOR TK24 (10 °C – 175 °C)

Parameter	Value
Rated voltage, V, not more	~250
Rated current, A, at power coeff. 0,95, not more	16
Rated current, A, at power coeff. 0,6, not more	10
Number of automatic cycles, at rated current 16 A and power coeff. 0,95, not less than	30 000
Number of automatic cycles, at rated current 10 A and power coeff. 0,95, not less than	100 000
Operating temperature, °C	10 to 175
Tolerance of operating temperature, %, but not less than °C	± 1; ± 3
Reset temperature, lower than operating temperature, °C, on	5 ± 3; 15 ± 5; 40 ± 10
Transient resistance, Ω, not more	0,005; 0,01; 0,05
Contact operating time, ms, not more	3
Electric strength of insulation, V, not less than	1500
Insulation resistance, MΩ, not less than	50
Heating speed, K/min	minimum-0,1, maximum-1,0
Degrees of protection provided by enclosure	IP4X; IP64

BASIC TECHNICAL DATA FOR TK24 (175 °C – 250 °C)

Parameter	Value
Rated voltage, V, not more	~250
Rated current, A, at power coeff. 0,95, not more	16
Rated current, A, at power coeff. 0,6, not more	10
Number of automatic cycles, at rated current 16 A and power coeff. 0,95, not less than	30 000
Number of automatic cycles, at rated current 10 A and power coeff. 0,95, not less than	100 000
Operating temperature, °C	175 to 250
Tolerance of operating temperature, %	± 3; ± 6
Reset temperature, lower than operating temperature, °C, on	30 ± 10; 50 ± 10
Transient resistance, Ω, not more	0,05
Contact operating time, ms, not more	3
Electric strength of insulation, V, not less than	1500
Insulation resistance, MΩ, not less than	50
Heating speed, K/min	minimum-0,1, maximum-1,0
Degrees of protection provided by enclosure	IP4X; IP64

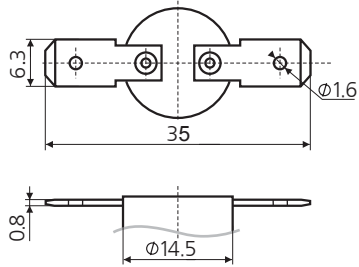
BASIC TECHNICAL DATA FOR TK24 (-45 °C - +10 °C)

Parameter	Value
Rated voltage, V, not more	~250
Rated current, A, at power coeff. 0,95, not more	16
Rated current, A, at power coeff. 0,6, not more	10
Number of automatic cycles, at rated current 16 A and power coeff. 0,95, not less than	30 000
Number of automatic cycles, at rated current 10 A and power coeff. 0,95, not less than	100 000
Operating temperature, °C	- 45 to 10
Tolerance of operating temperature, °C	± 3
Reset temperature, lower than operating temperature, °C, on	10 ± 3; 15 ± 5
Transient resistance, Ω, not more	0,05*
Contact operating time, ms, not more	3
Electric strength of insulation, V, not less than	1500
Insulation resistance, MΩ, not less than	50
Heating speed, K/min	minimum-0,1, maximum-1,0
Degrees of protection provided by enclosure	IP64

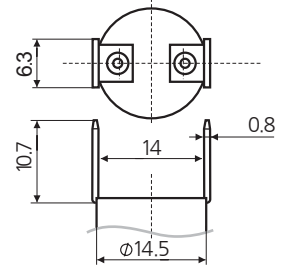
*May differ depending on the wire type and length

Table 1.1 (TERMINALS)

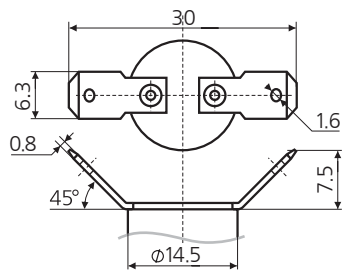
T 01



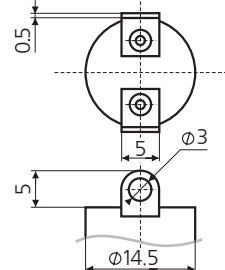
T 02



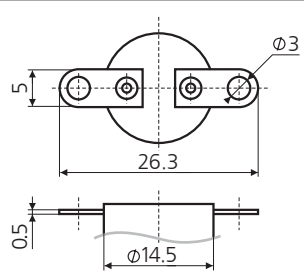
T 03



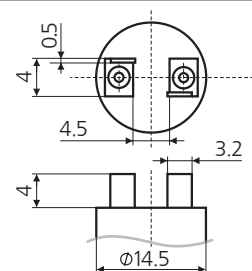
T 04



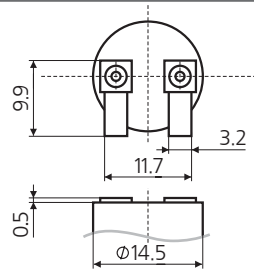
T 05



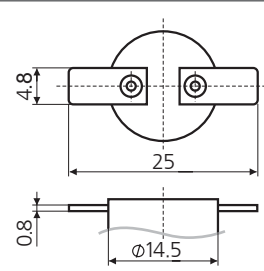
T 06



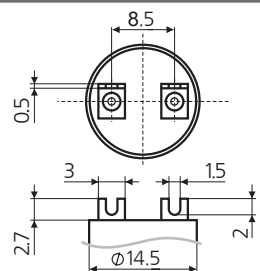
T 07



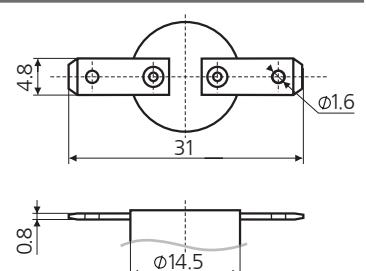
T 08



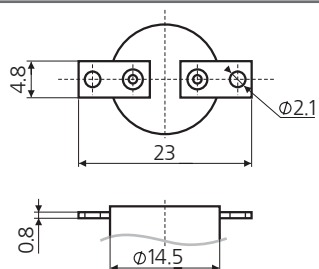
T 09



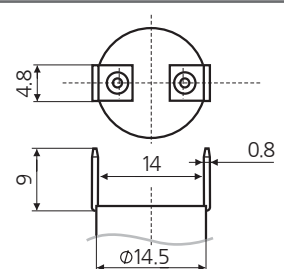
T 10



T 11

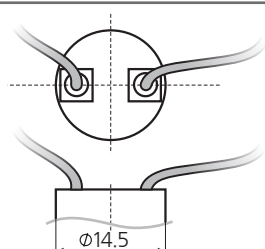


T 12



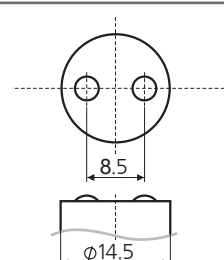
T 13

Wire standard length: 150 mm



Wire information to be specified on the order form (type; cross-section; lengths; stripping)
The only option for TK24 (-45-+10)

T 14

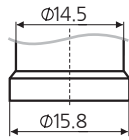


Soldering balls

Table 1.2 (MOUNTING)

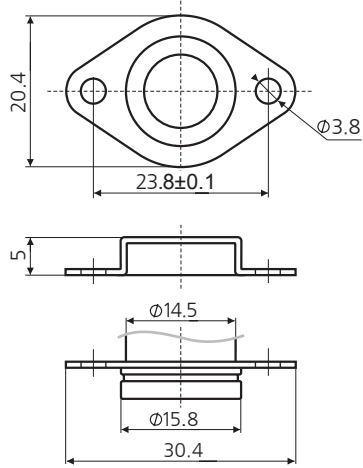
MG 00

NO MOUNTING

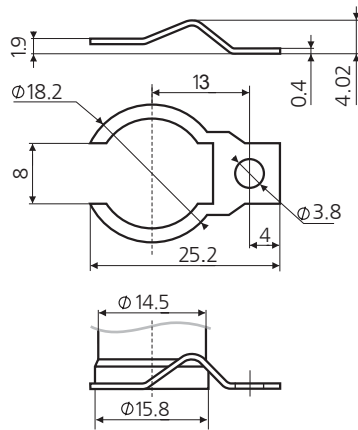


MG 02

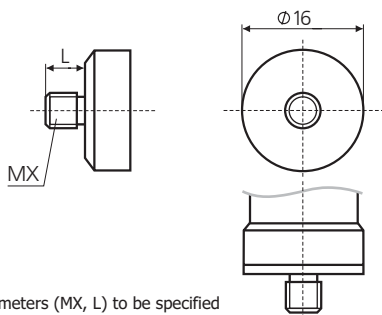
CAP-FLANGE



MG 04



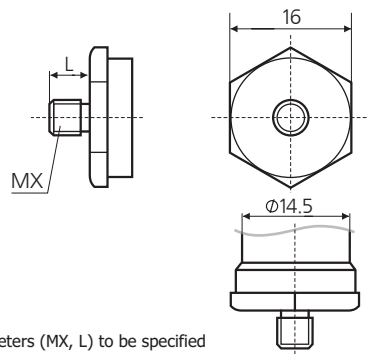
MG 06



Screw parameters (MX, L) to be specified on the order form

MG 08

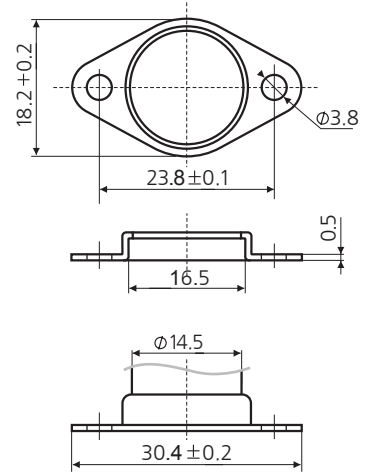
SCREW CAP HEXAHEDRAL 16



Screw parameters (MX, L) to be specified on the order form

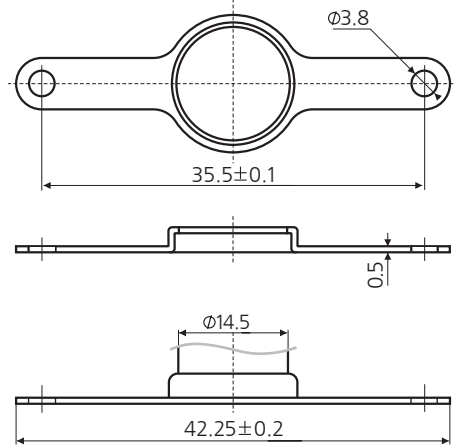
MG 01

ROTATION OR FIXED CLIP



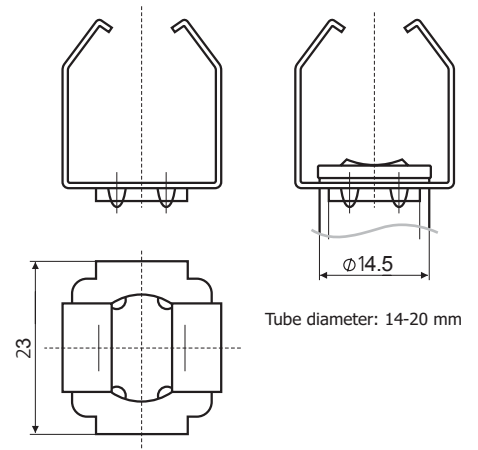
MG 03

ROTATION CLIP



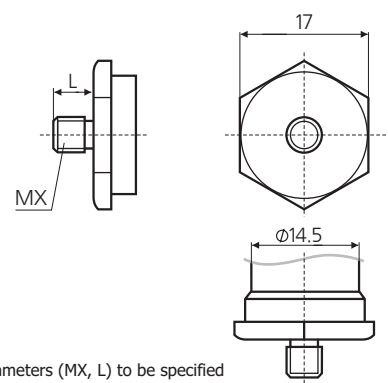
MG 05

TUBE MOUNTING



MG 07

SCREW CAP HEXAHEDRAL 17



Screw parameters (MX, L) to be specified on the order form

Table 1.2 (MOUNTING)

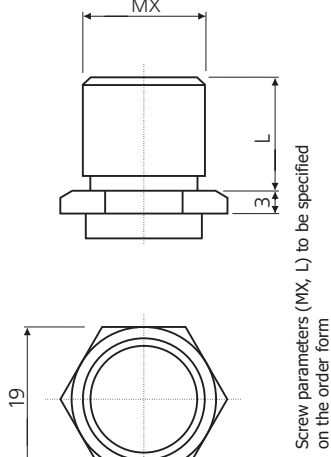
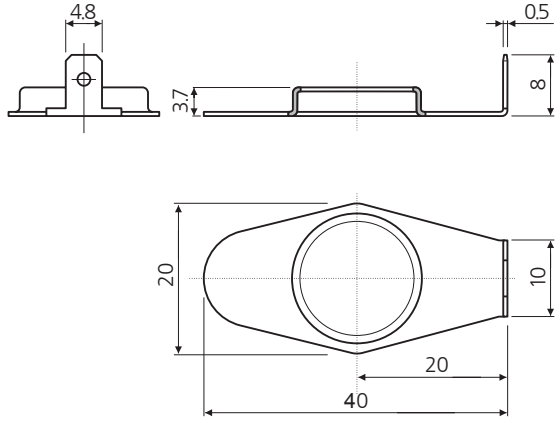
<p>MG 09 SCREW CAP HEXAHEDRAL 19</p>	 <p>Screw parameters (MX, L) to be specified on the order form</p>	<p>MG 10 WITH GROUNDING</p>	
-----------------------------------------------------	-----------------------------------------------------------------------------------------------------------------------------------------------------	----------------------------------------	------------------------------------------------------------------------------------

Table 1.3 (BODY and/or CASE)

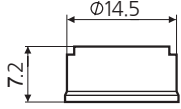

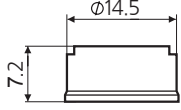
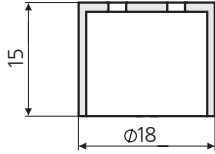
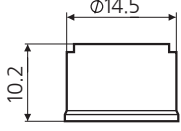
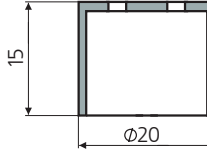
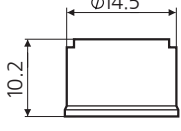
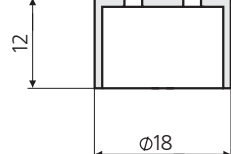
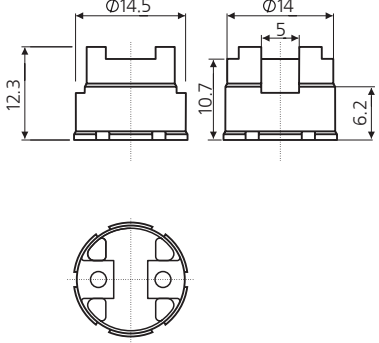
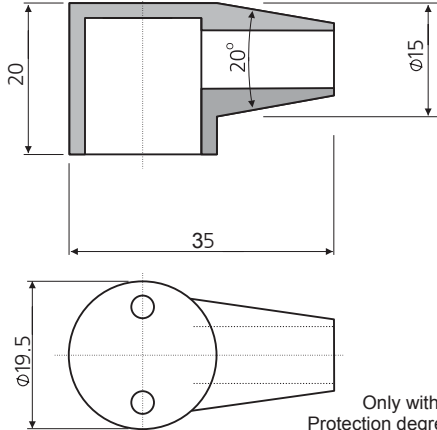
<p>B1P PLASTIC BODY</p>		<p>B3S STEEL CASING</p>	 <p>Only with lead wires Protection degree IP64</p>
<p>B1C CERAMIC BODY</p>		<p>B4P PLASTIC BODY</p>	 <p>Only with lead wires and screw caps Protection degree IP64</p>
<p>B2P PLASTIC BODY</p>		<p>B4C CERAMIC BODY</p>	 <p>Only with lead wires and screw caps Protection degree IP64</p>
<p>B2C CERAMIC BODY</p>		<p>B5P PLASTIC BODY</p>	 <p>Only with lead wires Protection degree IP64</p>
<p>B3C CERAMIC BODY</p>		<p>B6S SILICONE CASING</p>	 <p>Only with cables Protection degree IP64</p>

Table 1.4 (CONTACT TYPE AND CONTACT TRANSIENT RESISTANCE VALUE)

CODE	CONTACT TYPE	CONTACT TRANSIENT RESISTANCE, mOhm
1	Normally closed (NC)	≤50
2	Normally open (NO)	≤50
3	Normally closed (NC)	≤10
4	Normally open (NO)	≤10
5	Normally closed (NC)	≤5
6	Normally open (NO)	≤5

PART ORDERING SYSTEM

TK24	TX*	MGX**	BXX	X	X±X***	X±X***
1	2	3	4	5	6	7
1	Thermostat model					
2	Terminals version (select from Table 1.1)					
3	Mounting version (select from Table 1.2)					
4	Body version (select from Table 1.3)					
5	Contact type and contact transient resistance value (select from Table 1.4)					
6	Operating temperature value in °C and tolerance in ± %***					
7	Reset temperature value in °C and tolerance in ± %***					

Example: TK24-T01-MG04-B2C-2-60±3%-20±5%

*For wire terminals, lead wire parameters must be specified when placing an order: insulation type, cross-section area; ends type; length; etc.

**For screw cap mountings, screw parameters must be specified when placing an order.

***Tolerance in % or °C, whichever numerical value is bigger.



Address: "Thermorex" SAS, 18, rue Pasquier, 75008 Paris, France
tel.: +31(0) 61 55 22 880, e-mail: info@thermorex.fr, marketing@thermorex.fr

Manufacturing plant: "Thermorex" CJSC, 24/41 Fuchik str., 0048, Yerevan, Armenia
tel.: +37410 39 58 84, 37410 34 93 51, fax: +37410 34 98 86, e-mail: info@thermorex.org, marketing@thermorex.org

www.thermorex.org

