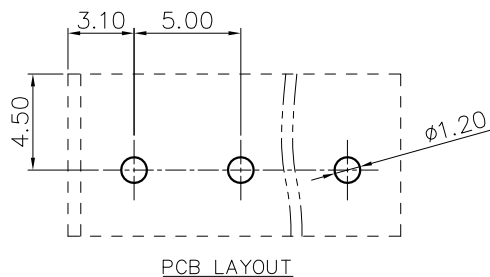
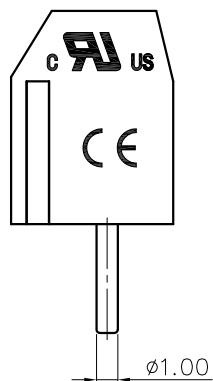
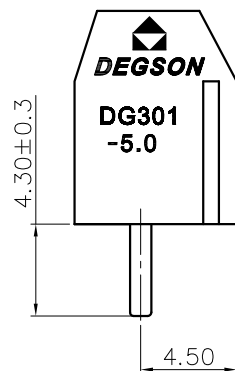
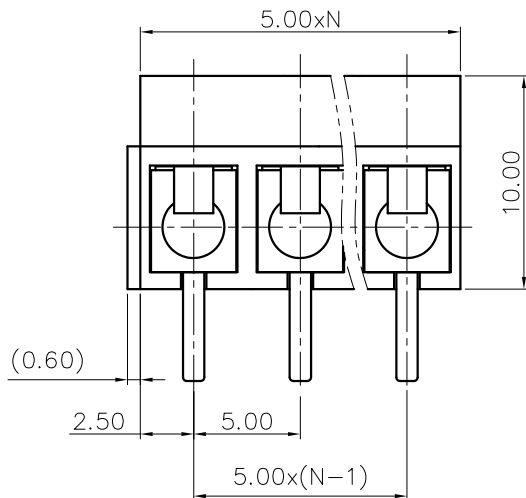
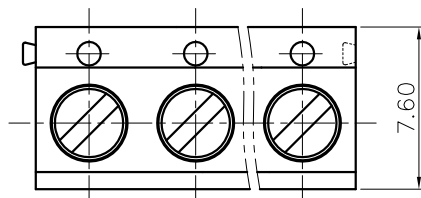


REVISION RECORD

REV	ECN	DESCRIPTION	DRFT	DATE
-----	-----	-------------	------	------



NOTES1:

UL Standard

- 1.Rated Voltage/Current : 300V / 15A
- 2.Torque Value : M2.5 , 2.60Lb.in
- 3.Wire Range : 22~14AWG

IEC Standard

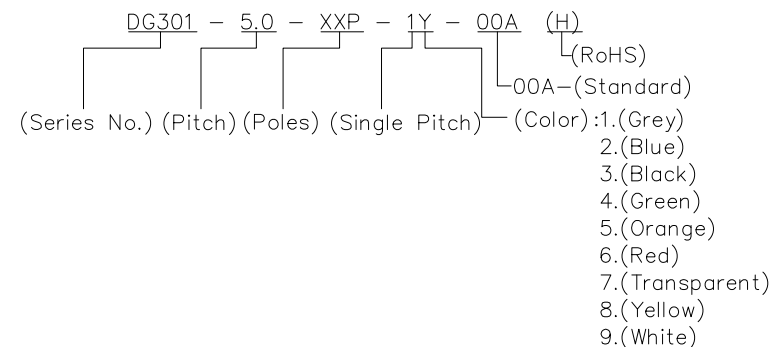
- 1.Rated Voltage/Current : 250V / 17.5A
- 2.Torque Value : M2.5 , 0.29N.m
- 3.Wire Range : 0.75~1.5mm²

NOTES2:

- 1.Dimension shall be interpreted per ASME Y14.5-2009
- 2.Pitch : 5.0mm, Poles : N=02~24P
- 3.Stripping length : 5~6mm
- 4.Withstanding Voltage : AC2000V/1Min.
- 5.Operating temperature: -30°C~+120°C
- 6.Undimensioned Tolerances:

Pitch	Range In mm		Nominal Dimension Range In mm				0.1/10	0.1/10
	TO	TO	TO	TO	TO	TO		
6	6	10	30	60	100	150	<	<
10	10	24	30	60	100	150	<	<
							±0.15	±0.20
							±0.30	±0.30
							±0.50	±0.70
							±1.00	±1.30
							±2*	±2*

7.RoHS Compliance



DETACHED LISTS	PART NO.:	NINGBO DEGSON ELECTRICAL CO., LTD			
	APPD:	NAME: DG301-5.0-XXP-1Y-00A(H)			
	CHKD:	TITLE: CUSTOMER DRAWING			
	DRFT:	DRAWING NO.:		REV	DO
THIRD ANGLE PROJECTION		MM (INCH)	DO NOT SCALE DRAWING	SHEET	1/1
			SCALE	1:1	