

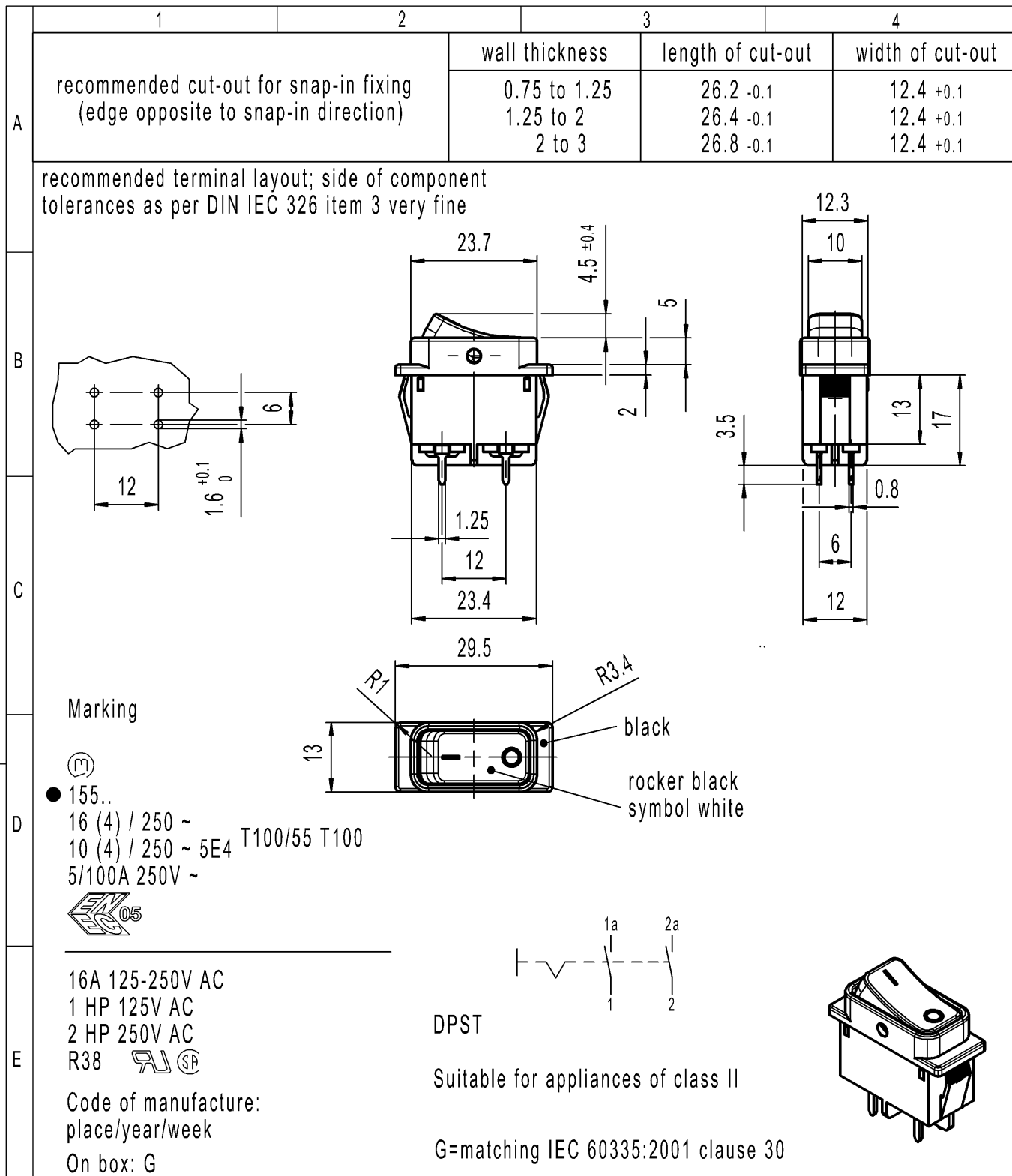
THIS DRAWING IS THE EXCLUSIVE PROPERTY OF MARQUARDT. WITHOUT THEIR CONSENT IT MAY NOT BE REPRODUCED OR GIVEN TO THIRD PARTIES.

CONFIDENTIAL

VERTRAULICH

Alle Rechte bei Marquardt, auch fuer den Fall von Schutzrechtsanmeldungen. Jede Veruegungsbefugnis, wie Kopier- und Weitergaberecht, bei uns.

©



-	-	-	1552.2602-XX
Figure	Type	Customer No.	Art.No.-PI
Shape and location	Angle $\pm 2^\circ$	Sheet 01	
	Edge tolerance	Ident. K	Document number 15522602
g	134536	2020-10-30	MATHPATIR
	f	60510	2009-11-05
d	23635	1996-01-16	HHE
c	22971	1994-09-21	RS
Index	MEC-No.	Date (YYYY-MM-DD)	Edited by
Format DIN A4		Projection	Scale 1:1
All dimensions are in millimetres		Appliance Switch	
System NX V11.0		Replacement of	
Zg.gl.Nr.v.18.04.1988		MARQUARDT	