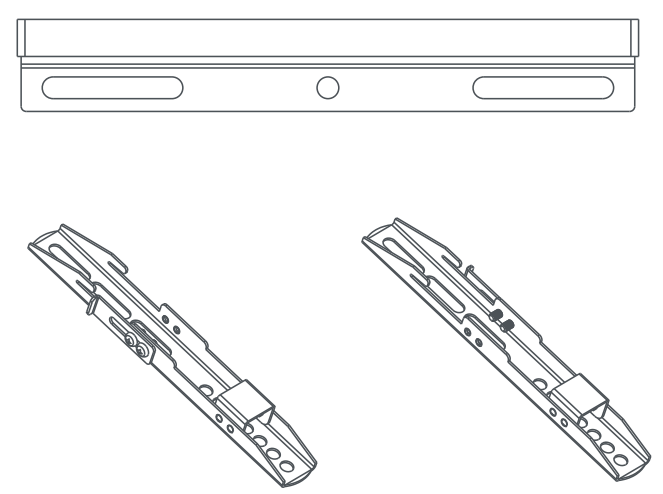
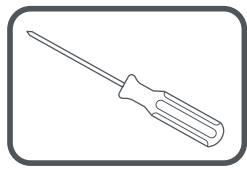


Universal
200 x 200 max



Package M

- 4 x M4x14
 M-A
- 4 x M5x14
 M-B
- 4 x M6x14
 M-C
- 4 x M8x20
 M-D
- 4 x D5
 M-E
- 4 x D8
 M-F
- 8 x
 M-G
- 1 x
 M-H

Package W

- 2 x
 W-A
- 2 x
 W-C
- 2 x
 W-B



Separate the waste
Differenzia i Rifiuti
<http://www.oneforall.com/documents>

Universal Electrics BV - Europe & International
 P.O. Box 3332, 7500 DH Enschede
 The Netherlands
 WNA312
 711953
 RDN-T15.03.23

START

↓

1

2

WARNING

Please verify that the supporting surface will safely support the combined weight of the equipment and all attached hardware and components

3

4

4a

4b

5a

5b

6

FINISH